



水泵行业全产业链整合研发与制造集团
Water pump industry, the whole industry chain is integrated
r&d and manufacturing group



TPW/TWZ/TWX系列改进型卧式端吸循环泵

TPW/TWZ/TWX series advanced horizontal end suction circulation pump

上海天泉泵业集团有限公司
SHANGHAI TIANQUAN PUMP GROUP CO., LTD.

地址：上海市青浦区华新镇嘉松中路3568号
Address: 3568 Jiasong Zhong Road, Huaxin Town, Qingpu Area, Shanghai
邮编 (P.C.) : 201705
网址: <http://www.tqpumps.com>



关注天泉集团微信公众号
获取更多信息

销售服务热线：400-166-8686



注：本公司保留对产品设计更改权利，个别尺寸如有变动恕不事前通知。
Note: our Co. reserves the right to modify the product design so as to
change some of the dimensions without a prior notice.

版本日期：2024年1月



企业简介

Introduction

上海天泉泵业集团有限公司成立于上世纪八十年代末，经过三十多年的市场磨炼，现已发展成为国内领先的集研究、生产、销售各类水泵、智慧成套供水设备以及电气控制系统的大型现代化集团企业。

天泉集团旗下已拥有一个产品研发中心以及铸造厂、水泵厂、压力容器厂、电机厂四大工业生产基地。集团注册资金一亿元，总资产人民币14.5亿元，总占地面积四十余万平方米，总部位于上海市青浦区。

天泉集团先后获得多项专业认证及荣誉，包括三大管理体系认证、中国著名品牌、中国水泵行业十大品牌、企业信用AAA级、中国工程建设推荐产品、政府采购优秀供应商、绿色环保首选品牌、无负压产品节水节能认证、中国二次供水行业首选品牌、上海消防协会会员以及多项实用新型专利。

Shanghai Tianquan Pump Group Co, Ltd. was founded in the late 1990s, and after 30-year development, has developed into a state-certified high-tech enterprise in China. We are a leading professional industrial pump solution provider and specialized in the research and production of industrial pumps, submersible motors, and electrical control systems.

With a registered capital of 100 million RMB and total assets of 1.45 billion yuan, the group covers a total area of more than 550,000 square meters and is headquartered in Qingpu District, Shanghai. The company now has four factories, which are located in Shanghai, Anhui, and Jiangsu provinces: Shanghai factory has one research center and focuses on pump assembling and testing; the Anhui factory focuses on casting and motor research and manufacturing; the Jiangsu factory focuses on the water pressure tank

The group currently has more than 2,000 sets of advanced domestic and imported production and testing equipment, such as a large pump testing center, trilinear-coordinates measuring instrument, impeller dynamic balance meter, laser rapid prototyping meter, malfunction blasting machine, automatic welding machine, large vertical lathe, large grinding machine, and CNC machine tools, etc.



▲ 上海天泉集团总部 Shanghai Tianquan Pump Group Headquarters

▼ 广德正富生产基地 Guangde Zhengfu production base



企业简介

Introduction

天泉集团极其注重技术力量的储备和生产设备的更新改造，目前拥有国家Ⅱ级标准水泵测试中心、五轴联动加工中心、大型镗床、大型立式车床、全自动数控多孔钻床、自动氩弧焊机、机械无箱造型机、全自动机械化压机、全自动阴极电泳线、全自动下线流水线以及动静平衡测量仪等国内外先进的生产测量设备，保证了每一台产品的出厂品质。集团建有完善的销售服务网络，在全国设有80余家分支机构，拥有1800多人的专业销售团队，为广大用户提供了优质的售前、售中和售后服务。

技术创新是企业发展的源动力，天泉集团拥有一支由行业技术专家、中高级工程师和专业技术人才组成的30余人的精干技术团队，引入世界先进的CFD流体力学专业内流场分析、SOLIDWORKS、Pro/E等研究设计软件系统，拥有国家各项专利15项。目前公司每年投入销售总额的5%以上，用于技术创新和新产品研发。

天泉凭借合理的价格以及优良的服务，深受用户青睐，畅销全国34个省、市、自治区，并出口中东、东南亚等地区。产品广泛应用于建筑、消防、环保、给排水、暖通、石油、化工、冶金、造纸、电力、医药等领域。截止目前，已经成功的为碧桂园集团、绿地集团、顶新（国际）集团、三星电机、伊利集团、中国石化、东风汽车、上海外高桥保税区、京张高铁、清华大学等提供优良的产品与服务，屡次荣获优秀供应商称号。

The company has 4 categories industrial pumps,covering more than 3000 models. We only research and develop energy-saving product conform to Chinese energy conservative standard. About 50% of pump models are equipped with lower motor power compare with national counterparts. Our featured products are circulating pumps, submersible sewage pumps, fire-fighting pump and water

supply pump and are widely used in construction, environmental protection, HVAC, chemical industry, water supply and drainage,paper making, power plant, medical making and other fields.

Due to our whole industry chain production layout and energy-saving product principle, our products are featured with competitive price, energy-saving and reliable quality. Up to now, Tianquan products are selling well in 34 provinces national wide, and exported to the Middle East, Southeast Asia,and Eastern Europe.

We are strive to be the most influential manufacturer with energy-saving product in the industrial pump area. Hope we can bring you good quality product and be your best pump solution partner.



▼ 自动定子嵌线流水线 Automatic stator line embedding pipeline



▲ 智慧云监控中心 Smart cloud monitoring center

▲ 供水设备生产车间 Water supply equipment production workshop



▲ 铸件仓库 Casting workshop



▶ 电控柜生产车间 Electric control cabinet production workshop



◀ 排污泵装配流水线 Assembly line of submersible sewage pump

生产实力

Production Capability



研发

Research and development

30人精干专业团队，国内一流专家和高级技术人员组成，获得国家各项专利15项。

先进的CFD流体力学专业内流场分析软件系统，不断升级水力模型。

TQ has a capable professional team of 30 people, domestic first-class experts and senior technical personnel, and has obtained 15 national patents.

Advanced CDF fluid mechanics major internal flow field analysis software system, constantly upgrade the hydraulic model.



铸造

Casting

行业内极少数拥有自主铸造生产能力，采用先进覆膜砂芯工艺，拥有5台百万级的机械无箱造型机，告别传统人工，生产效率高，铸件品质和精度大大优于同类产品。

Very few in our industry have independent casting production capacity, using advanced coated sand core process, has 5 million-level mechanical boxless modeling machine, farewell to the traditional labor, high production efficiency, casting quality and precision is much better than similar products.



电机

Motor

拥有电机全套自主生产线，是行业内知名电机及电机部件供应商。

拥有全自动机械化压机、自动定子嵌线机、高速冲床等先进的加工装备，自动流水线装配，电机质量可靠，性价比高。

With a full set motor independent production line, it is a well-known motor and motor parts supplier in the industry. With automatic mechanized press, automatic stator wiring machine, high-speed punch and other advanced processing equipment, automatic line assembly, reliable motor quality, cost-effective.



加工

Machining

装备了4台国外进口高精度五轴联动加工中心，以及数十台（套）精密数控加工设备，确保零部件加工的高精度、高效率；

采用模块化、流水线生产模式，大大提升生产效率，保障品质稳定。

Equipped with 4 sets of foreign imported high-precision five-axis linkage machining center, as well as dozens of sets (units) of precision CNC machining equipment, to ensure the high precision and high efficiency of parts processing;

Adopt modular and assembly line production mode to greatly improve production efficiency and ensure quality stability.



涂刷和装配

Shelling-out and assembling

采用电泳工艺处理，表面坚硬、镀层致密牢固、抗腐蚀耐磨。

装配工序规范合理，装配人员均经过长期严格的专业培训。

Using electrophoresis process, the surface is hard, dense and firm, corrosion and wear resistance.

The assembly process is standardized and reasonable, and the assembly personnel have undergone long-term and strict professional training.



检测

Check and test

拥有国家II级水泵综合性能测试台、光谱测试仪、动平衡机等检测设备。

专业的品控团队严格执行“三检”要求，每项来料必检，每道工序抽检，每台出厂必检，层层把关产品质量，产品合格率保持在98%以上。

It has the national water pump comprehensive performance test bench, spectrum tester, dynamic balance machine and other testing equipment. The professional quality control team strictly implements the requirements of "three inspections", every incoming material must be inspected, every process is inspected, every pump must be inspected, the product quality is checked layer by layer, and the qualified rate of products is maintained above 98%.

▼ 五轴联动加工中心 Five-axis linkage machining center



▼ 机械无箱造型 Mechanical box-free shape



▼ 电泳自动线 Electrophoresis automatic line



▼ 成品电机装配流水线 Assembly line of finished motor



▼ 国家II级综合性能测试台 National comprehensive performance test bench



▼ 动平衡测试机 Dynamic balance test machine



目录

- 01 产品概述
Product Overview
- 03 产品型谱图
Hydraulic Coverage Curve
- 06 使用条件
Operation Conditions
- 10 TPW结构型式及配置
TPW Structural type and configuration
- 13 TWZ结构型式及配置
TWZ Structural type and configuration
- 15 TWX结构型式及配置
TWX Structural type and configuration
- 19 机封
Mechanical seal
- 21 轴承悬架部件
Bearing suspension assembly
- 22 联轴器
Coupling
- 23 电机数据
Motor data
- 28 法兰
Flange
- 30 底座
The Base
- 33 性能参数表
Parameters Table
- 34 性能曲线
Characteristic Curves
- 79 TPW外形安装尺寸图
TPW Outline Installation Dimension Figure
- 80 TPW外形安装尺寸表
TPW Outline Installation Dimension Table
- 87 TWZ外形安装尺寸图
TWZ Outline installation dimension figure
- 88 TWZ外形安装尺寸表
TWZ Outline installation dimension table
- 96 TWX外形安装尺寸图
TWX Outline Installation Dimension Figure
- 97 TWX外形安装尺寸表
TWX Outline Installation Dimension Table
- 102 泵组的安装方式
installation methods for pump unit
- 103 订货须知
Notes on Order-Placing

产品概述 Product overview

TPW型泵继承、借鉴了天泉原TQW型机泵直联泵组的结构特点和TP泵水力研发成果，配带特殊轴伸B35电机，已经广泛应用于市场的成熟产品，排出口径32--350，输送介质最高温度90°C。

TWZ型为带刚性轴的卧式结构泵，配带标准轴伸B35电机，排出口径32--200，输送介质最高温度120°C。

TWX是在TPW直联泵组基础上衍生出的泵自带轴承悬架与标准B3型电机通过加长联轴器连接并固定在共同底座的卧式单级单吸悬臂式离心泵组，排出口径32--350，输送介质温度可达150°C，在机封外接冷却水情况下甚至更高。

TWZ和TWX系列产品泵体、叶轮与TPW通用，最大额定流量1500m³/h，最高额定扬程130m。设计压力为1.6/2.5MPa，设计温度150°C。

TPW pump inherits and draws lessons from the structural characteristics of TIANQUAN original TQW direct connected between pump and motor, with special shaft extension B35 motor, the discharge diameter of 32-350. TPW pump also inherits and draws on hydraulic research and development results of TP pump. The maximum temperature of the delivery medium is 90°C. TPW pump is a kind of mature products that have been widely used in the market.

TWZ is a horizontal structure pump with rigid shaft, with standard shaft extension B35 motor, discharge diameter 32-200, and the maximum temperature of conveying medium is 120°C.

TWX is a horizontal single-stage single suction cantilever centrifugal pump group in which the pump bearing suspension is connected with the B3 motor through the elongation coupling and fixed in the common base, the discharge diameter of 32-350. The temperature of the conveying medium can reach 150°C, which is even higher in the case of external cooling water.

TWZ and TWX series products pump casing, impeller and TPW universal, with the max. Rated flow of 1500m³/h and the max. rated head of 130m. The design pressure is 1.6/2.5MPa, and the design temperature is 150°C.

用途

TPW/TWZ/TWX泵可用于下述场合：

- 供热系统
- 空调系统
- 冷却和制冷系统
- 液体循环和增压及冷热水供给
- 卫生用水
- 水处理
- 工业流程

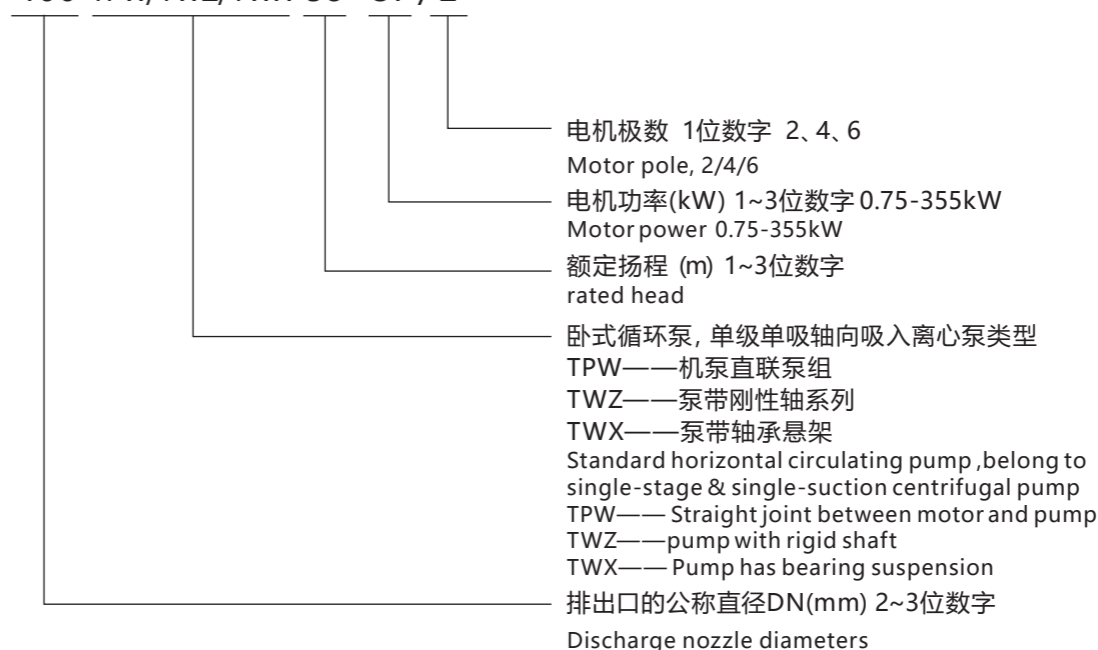
Application

TPW/TWZ/TWX pumps can be used in the following occasions:

- Boiler systems
- Air conditioning systems
- Cooling and refrigeration systems
- Liquid circulation & pressurization & hot water supply
- Sanitary water
- Water treatment
- Industrial process

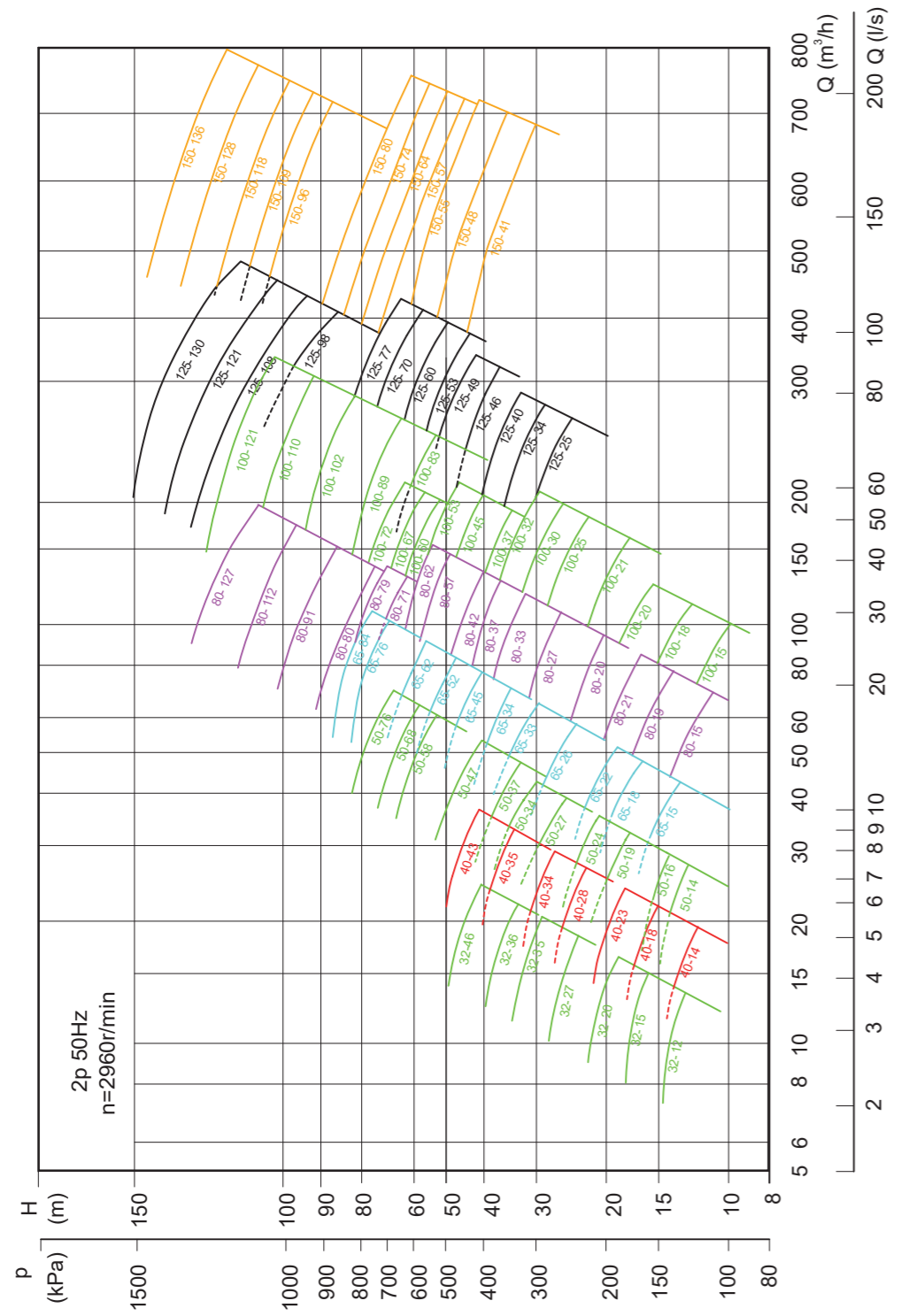
型号意义 Type Definition

100 TPW/TWZ/TWX 58 - 37 / 2



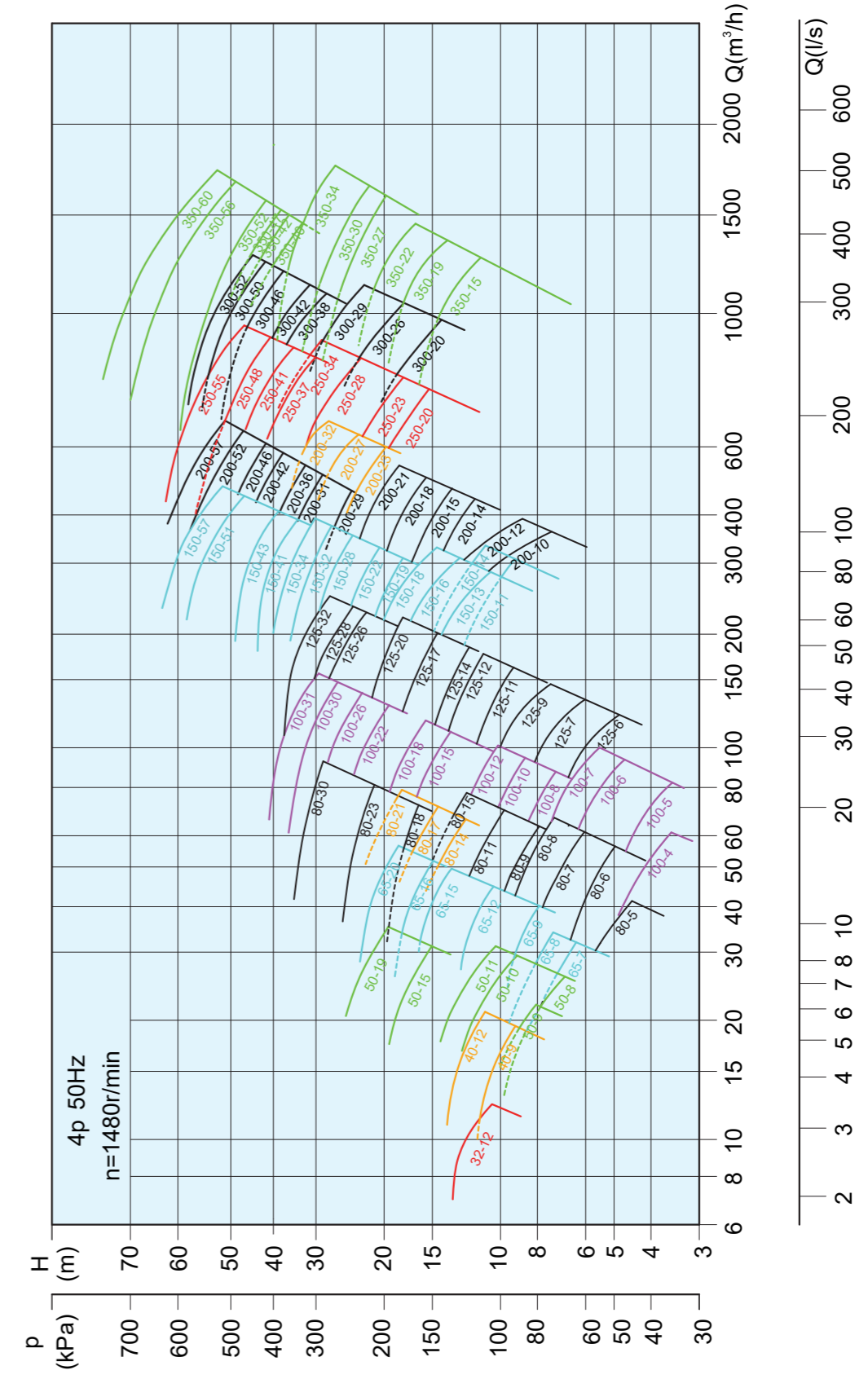
产品型谱图

Hydraulic Coverage Curve



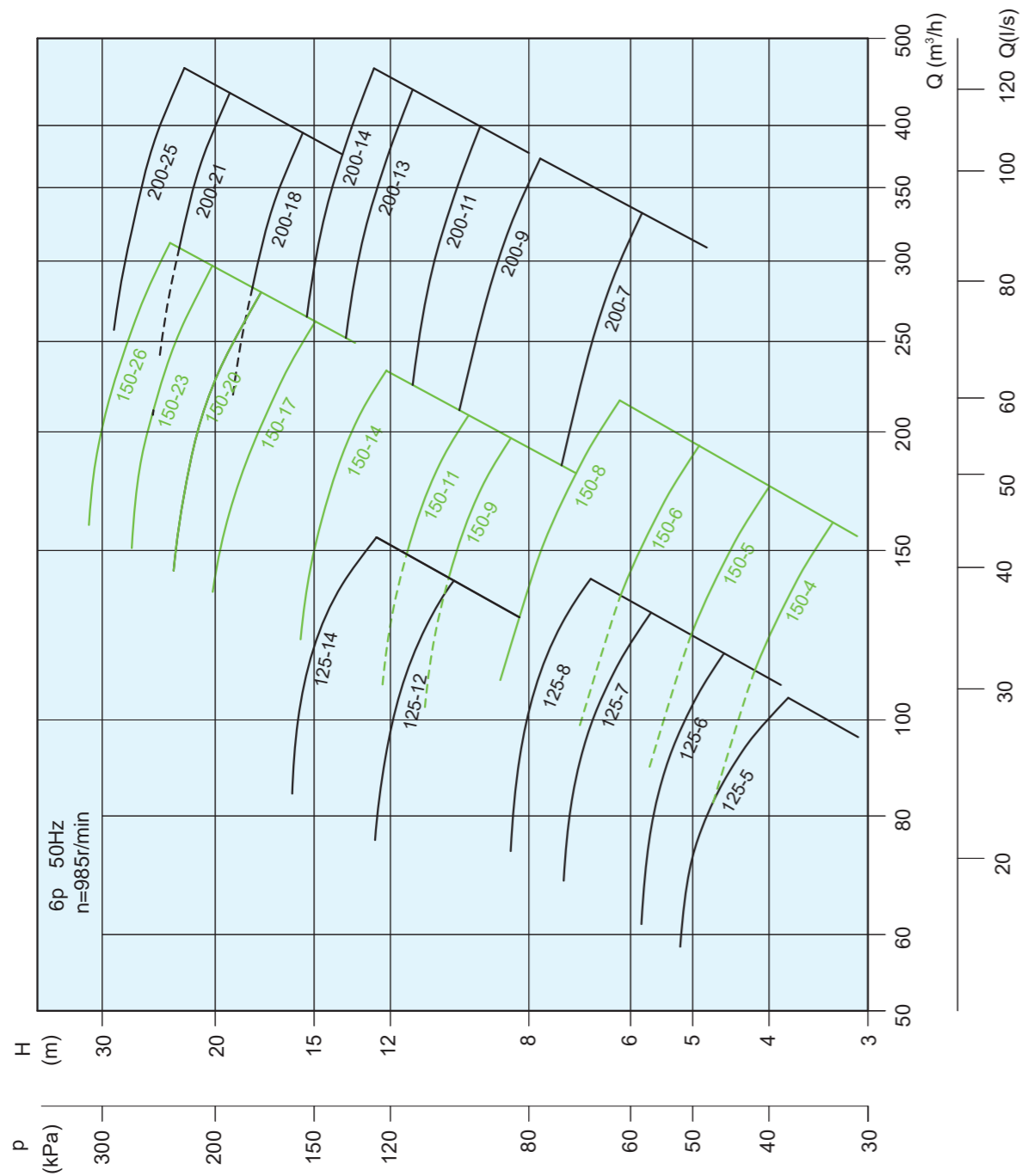
注: 型号简化示例说明——32-50
32代表排出口径, 50表示额定扬程 (圆整值, 下面4、6极同)

Note: A simplified model example illustrates the ---- 32-50
32 ---- represents row outlet diameter
50 ---- rated head (round value, below 4,6)



产品型谱图

Hydraulic Coverage Curve



使用条件

TPW/TWZ/TWX系列改进型卧式端吸循环泵
TPW/TWZ/TWX series advanced horizontal end suction circulation pump

Operation conditions

系统压力与测试压力 System pressure and test pressure

公称压力等级 Nominal pressure	系统最大工作压力 Max. system operation pressure		测试压力 Test pressure		公称直径 Nominal diameter (mm)	转速 Speed (r/min)
	(bar)	(MPa)	(bar)	(MPa)		
PN16	16	1.6	24	2.4	DN32~150	2960
					DN32~350	1480
					DN125~200	985
PN25	25	2.5	38	3.8	DN80~150	2960

最高进口压力 Max. Inlet pressure

最大工作压力=最大进口压力+闭阀（零流量）时扬程

Max. operation pressure=Max. Inlet pressure + H_0 (Head at $Q=0$)

型号 type	额定扬程 Head (Q_n) H (m)	关死扬程 Head ($Q=0$) H_0 (m)	最大进口压力(MPa) Max. Inlet pressure	
			PN16配置	PN25配置
出口 Outlet DN ₀ 32~150 PN16 n : 2960r/min	20	29	1.31	
	32	44	1.16	
	50	70	0.90	
	80	100	0.60	
出口 Outlet DN ₀ 32~350 PN16 n : 1480r/min	5	7	1.53	
	8	10	1.5	
	12.5	19	1.41	
	20	37	1.23	
	31.3	42	1.18	
出口 Outlet DN ₀ 125~200 PN16 n : 985r/min	50	66	0.94	
	8.9	12	1.48	
	13.9	20	1.40	
出口 Outlet DN ₀ 80~150 PN25 n : 2960r/min	22.2	37	1.23	
	125	150		1.0

使用条件

Operation conditions

最低进口压力 Min. Inlet pressure

为避免泵工作期间产生汽蚀所需要的最低进口压力“H₅”，单位为m，可依下式计算

The minimum inlet pressure “H₅” can be calculated by the following equation. That is required to avoid cavitation during pump operation. The unit is m.

$$H_5 = P_b \times 10.2 - NPSHr - H_f - H_v - \Delta h$$

式中：

In the formula:

P_b——气压计所示的大气压值（1bar），在闭式系统中，P_b表示系统压力，单位为bar

The atmospheric pressure value (1bar).

In the closed system, “P_b” represents the system pressure (unit: bar)

NPSHr——按NPSHr-Q曲线上泵允许运行范围的最大流量点对应的NPSHr值，单位为m

The NPSHr value corresponding to the maximum flow point of pump on the NPSHr-Q curve (m)

H_f——吸入管路的摩擦损失，单位为m

Friction loss of the suction line. (m)

H_v——泵送介质使用温度下的汽化压力，单位为m

Vaporization pressure at the operation temperature of the pumping medium. (m)

P_d——液体汽化压力，bar

Fluid vaporization pressure. (bar)

Δh——安全裕度，最低0.5m

Safety margin, min. 0.5m

注：如果“H₅”的计算值为正，说明泵可以在最大吸程“H₅”米以内工作；如果“H₅”的计算值为负，说明泵要在超过最小吸入水头“H₅”绝对值以上工作。

Note: If the calculated value of “H₅” is positive, the pump can operate within the maximum suction range “H₅” meters; if the calculated value of “H₅” is negative, the pump should work above the absolute value of the minimum suction head “H₅”

水的汽化压力 Steam pressure of water

T(°C)	20	60	80	90	100
Pd(bar)	0.02	0.20	0.47	0.70	1.01
H _v (m)	0.20	2.04	4.79	7.14	10.30
T(°C)	110	120	130	140	150
Pd(bar)	1.43	1.99	2.70	3.61	4.76
H _v (m)	14.59	20.30	27.54	36.82	48.55

声压等级 Sound pressure level

TPW/TWZ/TWX泵的噪声产生于机械、电磁、水力脉动等，主要来自电机风扇。

The noise of TPW/TWZ/TWX pump is generated from mechanical, electromagnetic, hydraulic pulsation, etc., mainly from the motor fan.

380V/50Hz YE3 (三级能效) /YE4 (二级能效) 三相异步电机噪声指标见下表：

380V/50Hz YE3 (tertiary energy efficiency)/YE4 (secondary energy efficiency) three-phase asynchronous motor noise indicators are shown in the following table:

电机功率 Motor power (kW)	最大噪声值(dB)-GB10069.3-2008 Max. Noise value (dB)-GB10069.3-2008		
	2极 pole	4极 pole	6极 pole
0.75	62	56	
1.1	62	59	
1.5	67	59	61
2.2	67	64	65
3	74	64	69
4	77	65	69
5.5	79	71	69
7.5	79	71	70
11	81	73	70
15	81	73	73
18.5	81	76	73
22	83	76	73
30	84	76	74
37	84	78	76
45	86	78	
55	89	79	
75	91	80	
90	91	80	
110	92	88	
132	92	88	
160	92	88	
185	92	88	
200	92	88	
220	100	95	
250	100	95	
280	100	95	
315	100	95	
355	100		

TPW/TWZ/TWX泵的噪音评价应满足GB/T29529-2013。Noise evaluation value of TPW/TWZ/TW pumps are satisfied with GB/T29529-2013.

环境 Environment

环境温度：-20°C ~ +40°C

Ambient temperature: -20°C ~ +40°C

相对湿度：≤95%

Relative humidity: ≤95%

安装位置海拔高度 < 1000m

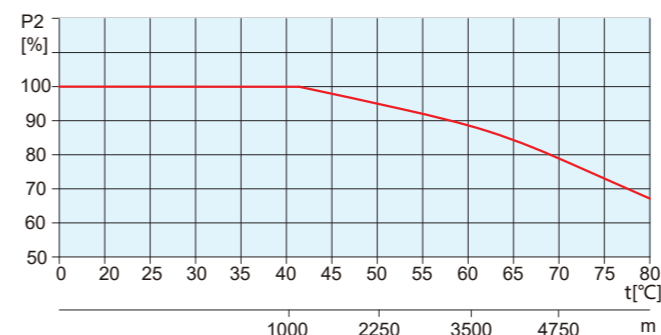
Height of installation site above sea level < 1000m

电机工作环境温度高于40 °C时，请降低功率使用。

If the motor is operating above 40, lower the power

电机安装位置超过海拔1000m时，电机的输出功率(P₂)会有所降低，主要原因是空气密度低，电机冷却缓慢，此时需要使用更大型号电机以满足更高的输出功率。

When the installation position of the motor exceeds 1000m altitude, the output power (P₂) of the motor will be reduced, mainly because the air density is low and the cooling of the motor is slow. At this time, a large motor needs to be used to meet the higher output power.



电机输出功率 (P₂) 与海拔高度及温度的关系图
The diagram of motor output power (P₂) on altitude and temperature

在潮湿的环境下，电机中心排水孔必须打开，此外，排水孔必须朝下。在此情况下，电机防护等级为IP44。三相电机必须被连接至一个电机保护断路器上。

In wet conditions, the motor center drain hole must be opened, in addition, the drain hole must be facing down. In this case, the motor protection rating is IP44. Three-phase motor must be connected to a motor protection circuit breaker.

泵送液体 Pump liquid

清洁、稀薄、非侵蚀性、非易爆性、不含任何对泵可能造成机械或化学损害的固体颗粒或纤维的液体，介质固定不溶物体积不超过单位体积的0.1%，粒度 < 0.2mm。

Clean, thin, non-erosive, non-explosive, liquid without any solid particles or fibers that may cause mechanical or chemical damage to the pump, medium fixed insoluble volume not exceeding 0.1% of unit volume, particle size < 0.2mm.

TPW泵使用温度全范围在-25°C ~ +90°C，标准配置的泵送介质温度通常在0°C ~ +90°C。如果泵送介质温度在-25°C ~ 0°C，建议标配机封摩擦副由C/SiC改为SiC/SiC。

The TPW pump uses the full temperature range of -25°C ~ +90°C, and the standard pumping medium temperature is usually at 0°C ~ +90°C. If the temperature of pumping medium is at -25°C ~ 0°C, it is recommended that the standard sealing friction auxiliary change from C/SiC to SiC/SiC.

TWZ泵使用温度全范围在-25°C ~ +120°C，标准配置的泵送介质温度通常在0°C ~ +120°C。如果泵送介质温度在-25°C ~ 0°C，建议标配机封摩擦副由C/SiC改为SiC/SiC；如果介质温度为+90°C ~ +120°C时，为保护设备，这种情况下不建议泵组长时间连续运转。

The TWZ pump uses the full temperature range of -25°C ~ +120°C, and the standard pumping medium temperature is usually at 0°C ~ +120°C. If the temperature of pumping medium is at -25°C ~ 0°C, it is recommended that the standard sealing friction auxiliary change from C/SiC to SiC/SiC; If the medium temperature is +90°C ~ +120°C, it is not recommended that the pump set leader operate to protect the equipment.

TWX泵使用温度全范围在-25°C ~ +150°C。对于16bar泵，标准配置BTSE非平衡型橡胶波纹管机封的送介质温度在0°C ~ +120°C。如果泵送介质温度在-25°C ~ 0°C或-25°C ~ 120°C，建议选配LSSE机封，摩擦副由C/SiC改为SiC/SiC；如果介质温度为+120°C ~ +150°C时，请订货时在订单特殊注明，需配置STSE型平衡型机封。对于25bar泵，标准配置STSE型平衡型机封的送介质温度在0°C ~ +150°C。如果泵送介质温度在-25°C ~ 0°C或-25°C ~ 120°C，建议选配SSSE机封，摩擦副为SiC/SiC，如果泵送介质温度在+120°C ~ +150°C，建议选STSD机封。

The TWX pump uses the full temperature range of -25°C ~ +150°C. For the 16bar pump, the supply medium temperature of the standard BTSE non-balanced rubber bellows machine seal is usually at 0°C ~ +120°C. If the temperature of pumping medium is at -25°C ~ 0°C or -25°C ~ 120°C, it is recommended to select LSSE machine seal and the friction auxiliary change from C/SiC to SiC/SiC; If the temperature is +120°C ~ +150°C, please specify in the order, and STSE balanced machine seal should be configured. For 25bar pump, the delivery medium temperature of standard STSE balancing seal is 0°C ~ +150°C. If the temperature of the pumping medium is -25°C ~ 0°C or -25°C ~ 120°C, it is recommended to choose the SSSE seal, and the friction pair is SiC/SiC, If the temperature of the pumping medium is +120°C ~ +150°C, it is recommended to choose the STSD seal.

使用条件

Operation conditions

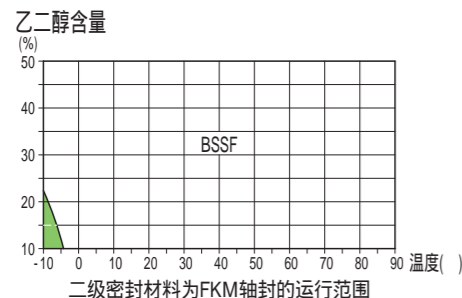
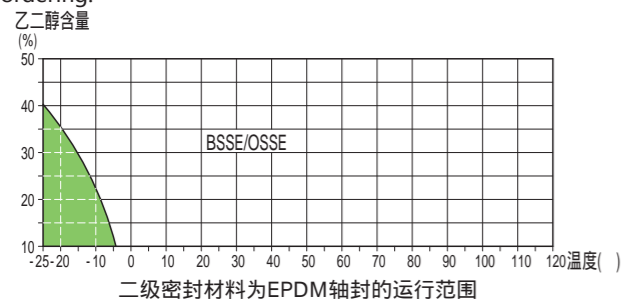
泵送介质适用领域

Suitable areas for the pumping media

- 空调
Air-conditioning
- 供热系统
Boiler system
- 冷却冷冻系统
Cooling and freezing system
- 生活热水系统
Domestic hot water system
- 液体循环等工业液体
Industrial liquids, such as liquid circulation
- 供水和增压及灌溉
Water supply and pressurization and irrigation
- 卫生用水、软化水
Sanitary water, softened water

如果向介质中添加乙二醇或含其他防冻剂，在订货时在订单或数据表中应具体说明其牌号、浓度、使用温度等指标。

If ethylene glycol or other antifreeze is added to medium, the grade and concentration and temperature and other indicators should be specified in the order or data sheet at the time of ordering.



如果泵送介质的密度或运动粘度高于水，则会引起：

If the density or motion viscosity of the pumping medium is higher than the water, it will cause:

- 压力显著下降
The pressure decreased significantly
- 水力性能下降
The hydraulic performance decreased
- 能耗增加
Energy consumption increases

在上述情况下，应采用更大功率电机。如果有任何疑问，请与生产厂家联系。

In the above case, a higher power motor should be used. If you have any doubt, please contact the manufacturer.

如果介质中含矿物油或化学药品及不同于水的其它液体，应选择相适宜的O形圈。

If the medium contains mineral oil or chemicals and other liquids different from water, the appropriate O-ring should be selected.

TPW结构型式及配置

TPW Structural type and configuration

TPW/TWZ/TWX系列改进型卧式端吸循环泵
TPW/TWZ/TWX series advanced horizontal end suction circulation pump

TPW系列卧式管道循环泵，系上海天泉泵业集团有限公司于2022年在吸收国内外同类产品的优点并按照现行相关标准自主研发的第三代卧式单级端吸离心泵产品，继承了TP立式泵中优秀的水力模型，对全系列各规格产品性能进行了重新规划，泵效率及抗汽蚀性能更加优异，总体结构在第二代TQW基础上进行了优化，使其结构更加合理，同被更新换代的TQW相比较体积、重量接近，但可靠性、无故障运行时间、可维修性、外观都达到国际先进水平。

The TPW series horizontal pipe circulating pump, Shanghai Tianquan Pump Group Co., Ltd. in 2022 to absorb the advantages of similar products at home and abroad and independently developed the third generation of horizontal single-stage suction centrifugal pump products in accordance with the current relevant standards, inherited the excellent hydraulic model in the TP vertical pump. The performance of the full range of various specifications was replanned. Pump efficiency and corrosion resistance are even better. The overall structure has been optimized on the basis of the second generation TQW, to make its structure more reasonable. Compared with the updated TQW, the volume and weight are close, but the reliability, fault-free running time, maintainability and appearance have all reached the international advanced level.

该改进型管道循环泵为卧式单级单吸（轴向吸入）离心泵，泵进出口与管道均为法兰连接，配380V/50Hz/YE3或YE4系列B35（基座带地脚、端盖有凸缘）型式专用电机和非平衡型机械密封。

The improved pipe circulating pump is a horizontal single stage single suction (axial suction) centrifugal pump, the pump inlet and outlet and the pipeline are flange connected, with 380V/50Hz/YE3 or YE4 series B35 (base with feet, end cover flange) type special motor and non-balanced mechanical seal.

TPW全系列产品设计温度为150°C。名义额定扬程≤80m的泵设计压力为16bar，进出口法兰和承压边界壁厚均按16bar设计。名义额定扬程125m的泵，设计压力为25bar，进口法兰确定按PN16设计，出口法兰和壁厚按PN25设计。

The design temperature of TPW full series of products is 150°C. The design pressure of pump with nominal head 80m is 16 bar, and the wall thickness of inlet and outlet flange and pressure boundary is design as 16 bar. For the nominal head 125m pump, the design pressure is 25 bar, the inlet flange is designed according to PN16, and the outlet flange and wall thickness are designed according to PN25.

TPW产品设计转速有2960/1480/985rpm三种转速供选择。

The TPW product is designed at 2960/1480/985 rpm at three rotational speeds.

泵进出口公称直径按ISO2858标准多数进口比出口口径大，进口为轴向吸入，进口口径根据流速合理选择、确定，

出口为向上中心排出，叶轮装在专用电机轴伸上，叶轮的设计已考虑了轴向力平衡，泵体和泵盖上设有可更换的密封环（DN65&扬程32以下的泵仅在泵体上设置前密封环）以确保泵长期高效运行，且提高泵盖的通用性。泵不设置轴承，径向力和轴向力由电机轴承承受，泵与电机通过螺栓连接固定在共同底座上。对于配≤7.5kW以下电机的泵组采用折弯式底座，通过膨胀螺栓固定在混凝土基础上或通过钢制螺栓固定在预埋金属板上；对于配11~37kW电机的泵组，采用型钢组焊结构底座，在底座上设置滑轨；对于配45kW~315kW电机的泵组，采用型钢组焊结构底座，在底座上设置滚轮，泵盖上设置顶丝，以方便将电机、泵盖和叶轮的结合部拆下维护或维修，而无需动泵体连接管路及基础。

The nominal diameter of the pump import according to ISO2858 standard mostly is large than the outlet. The inlet is axial inhalation, the inlet diameter is reasonably selected and determined according to the flow rate, and the outlet is the upward center discharge. The impeller is installed on the special motor shaft extension, and the impeller design has considered the axial force balance. The pump casing and pump casing cover are equipped with replaceable sealing rings (pumps below DN65 & head 32m shall only set the front sealing ring on the pump casing) to ensure long-time efficient operation of the pump and improve the versatility of the pump casing cover. The pump is not equipped with bearings. The radial forces and axial forces are borne by the motor bearings. The pump and motor are fixed on the common base through the bolts connection. For the pump group equipped with motors below 7.5 kW, adopt the bending base, fixed on the concrete foundation by expansion bolts or fixed on the embedded metal plate by steel bolts. For the pump group with 11~37 kW motors, type steel welding structure base is used and slide rail is set on the base. For the pump group with 45~215 kW motors, type steel welding structure base, and top wire is set on the casing cover and impeller for maintenance or repair without moving the pump casing to connect the pipe and foundation.

装配在TPW泵上的电机均为封闭、风冷、三相异步鼠笼式标准电机，其主要技术要求符合GB或IEC相关标准，机座号80M1~355L。

YE3/YE4系列B35型
相对湿度 ≤95%
防护等级 IP55
绝缘等级 F级
旋转方向：从电机风扇端向泵看为顺时针

The motors assembled on the TPW pump are closed, air-cooled, three-phase heterogeneous rat cage special motors. The main technical requirements meet the relevant standards of GB or IEC. The seat number is 80M1~355L.

YE3/YE4 series, B35 installation type
Relative humidity of 95%
Protection level: IP55
Insulation grade: F
Rotation direction: look clockwise from the motor fan

TPW结构型式及配置

TPW Structural type and configuration

end to the pump

TPW泵组主要特点

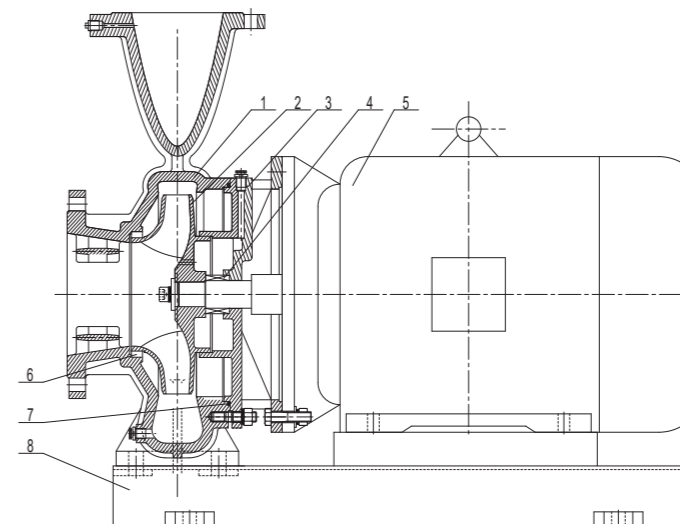
Main characteristics of the TPW pump group

- 泵总体结构先进、合理，机、泵直联式设计，减小占地面积
- 标配高效YE3三相异步电机或根据客户要求选配超高效YE4电机，国标3、2级能效
- 更高效的泵过流部件水力优化设计，降低能耗，推荐运行范围0.7Qn~1.2Qn宽于GB/T13007 B线，且具体给出0.7Qn、0.85Qn、1.0Qn、1.1Qn和1.2Qn五个流量点的扬程、轴功率、汽蚀余量指标
- 适宜的泵进口口径设计，保持合理的进口流速，降低损失，确保高效的同时兼顾高抗汽蚀性能
- 可适用于现场不同管路系统口径、压力等级配置
- 叶轮外径切割后尺寸的确定按照在1.2Qn流量点轴功率充分接近电机额定输出功率以便于电机在高效区运行，安全可靠
- 叶轮采用由数控加工中心制作的金属模具及精密铸造，设计流道中心与加工基准中心重合度高，且更好的水力、机械平衡，使泵运行更加平稳
- 泵壳体配备可更换的密封环以确保泵始终保持高效状态
- 可配置适用不同流体介质的机封
- 三种不同结构底座设计，便于检、维修
- 泵体、泵盖三维设计后模具数控加工，模具过流部分尺寸偏差控制在0.2mm之内；采用覆膜砂铸造工艺，机器造型，铸件尺寸精度可达CT7级，铸件表面粗糙度12.5μm以下；铸件在天泉进口双工作台加工中心一次装夹完成整个零件加工，加工精度为微米级，保证了所有加工部位的尺寸公差

及形位公差；加工后铸件经过保护后再进行电泳处理改善耐腐蚀性能，DN250及以上的泵体采用天泉蓝或黑喷漆

- The overall structure of the pump is advanced and reasonable, and motor and pump direct connection design, reducing the floor area
- Standard high efficiency YE3 three-phase asynchronous motor or ultra high efficiency YE4 motor according to customer requirements, national standard 2,3 energy efficiency
- More efficient hydraulic optimization design of pump flow parts to reduce energy consumption, recommended operation range 0.7Qn~1.2Qn is wider than GB/T13007 B line, and specifically give the head, shaft power and cavitation indicators of five flow points of 0.7Qn,0.85Qn,1.0Qn,1.1Qn, 1.2Qn
- Suitable pump inlet diameter design, maintain reasonable inlet flow rate, reduce loss, ensure high efficiency while taking into account high corrosion resistance
- It can be applied to different pipeline system caliber and pressure level configuration
- The size of the impeller outer diameter after cutting is determined according to the rated output power of the motor at the shaft power at 1.2Qn flow point to facilitate the operation of the motor in the efficient area, safe and reliable
- The impeller adopts metal mold and precision casting made by CNC machining center. The design flow channel center and the machining reference center have high coincidence degree, and better hydraulic and mechanical balance, making the pump operation more stable
- The pump casing is equipped with a replaceable sealing ring to ensure that the pump is always efficient
- Configure seals for different fluid media
- Three different structures of the base design, easy to inspection, maintenance
- After 3D design of pump casing and pump casing cover, the die is CNC and the size deviation of the excessive part of the die shall be controlled within 0.2mm. The casting process reaches CT7 and the casting surface roughness is below 12.5μm; the machining accuracy is micron level to ensuring the size tolerance of all machining parts. The castings are protected by electrophoresis treatment to improve the corrosion resistance. The pump casing of DN250 and above is painted in Tianquan

TPW结构图 TPW Structure diagram



泵材质说明 Material description of pump parts

序号 No.	零部件 Part	材料 Material	标准 Standard	应用 Application
1	泵体 Pump casing	铸铁HT250 Cast iron HT250	GB/TT9439-2010	PN16标配 额定扬程≤80m PN16 standard configuration Rated head≤80m
		球墨铸铁QT400 Nodular cast iron	GB1348-2019	PN16 DN≥250配4极电机的泵, 选配 PN16 DN≥250mm, 4p (n=1480), Selective breeding
		球墨铸铁QT500 Nodular cast iron	GB1348-2019	PN25标配, 扬程125m配2极电机泵 PN25 standard configuration Rated head≥125m, 2p (n=2960)
2	叶轮 Impeller	铸铁HT200 Cast iron HT200	GB/T9439-2010	标配 Standard configuration
		ZG07Cr19Ni10	GB/T2100-2017	选配 Selective breeding
3	泵盖 Pump casing cover	铸铁HT250 Cast iron HT250	GB/T9439-2010	PN16标配 额定扬程≤80m PN16 standard configuration Rated head≤80m
		球墨铸铁QT400 Nodular cast iron	GB1348-2019	PN16 DN≥250配4极电机的泵, 选配 PN16 DN≥250mm, 4p (n=1480), Selective breeding
		球墨铸铁QT500 Nodular cast iron	GB1348-2019	PN25标配, 扬程125m配2极电机泵 PN25 standard configuration Rated head≥125m, 2p (n=2960)
4	机械密封 Mechanical seal	/	GB/T6556-2016	16bar泵标配 (相当于UN型EN12756) 不平衡型 橡胶波纹管密封 轴径18/25/35/45/55/65/75 Unbalanced rubber bellows seal, suitable for 16bar pump
		/	GB/T33509-2017	专用订制平衡型机封, 适用于25bar泵型 Balanced machine seal, suitable for 25bar pump
5	电机 Motor	/	GB18613-2020	380V/50Hz B35型 标配3级, 选配2级 YE3, standard configuration YE4, Selective breeding
6	泵体密封环 Pump casing sealing ring	球墨铸铁QT400 Nodular cast iron	GB1348-2019	标配 Standard configuration
7	O形圈 O-ring	EPDM	GB/T3452.1-2005	泵标配三元乙丙橡胶 EPDM, standard configuration
		FKM	GB/T30308-2013	氟橡胶, 适用于腐蚀性介质, 选配 Fluorine rubber, suitable for corrosive media, selective breeding
8	底座 Base	碳钢Q235 Carbon Q235	GB/T700-2006 GB/T709-2006	钢板折弯或型钢焊接组件, 标配 Steel plate bending or section steel welded components, standard configuration

TWZ结构型式及配置

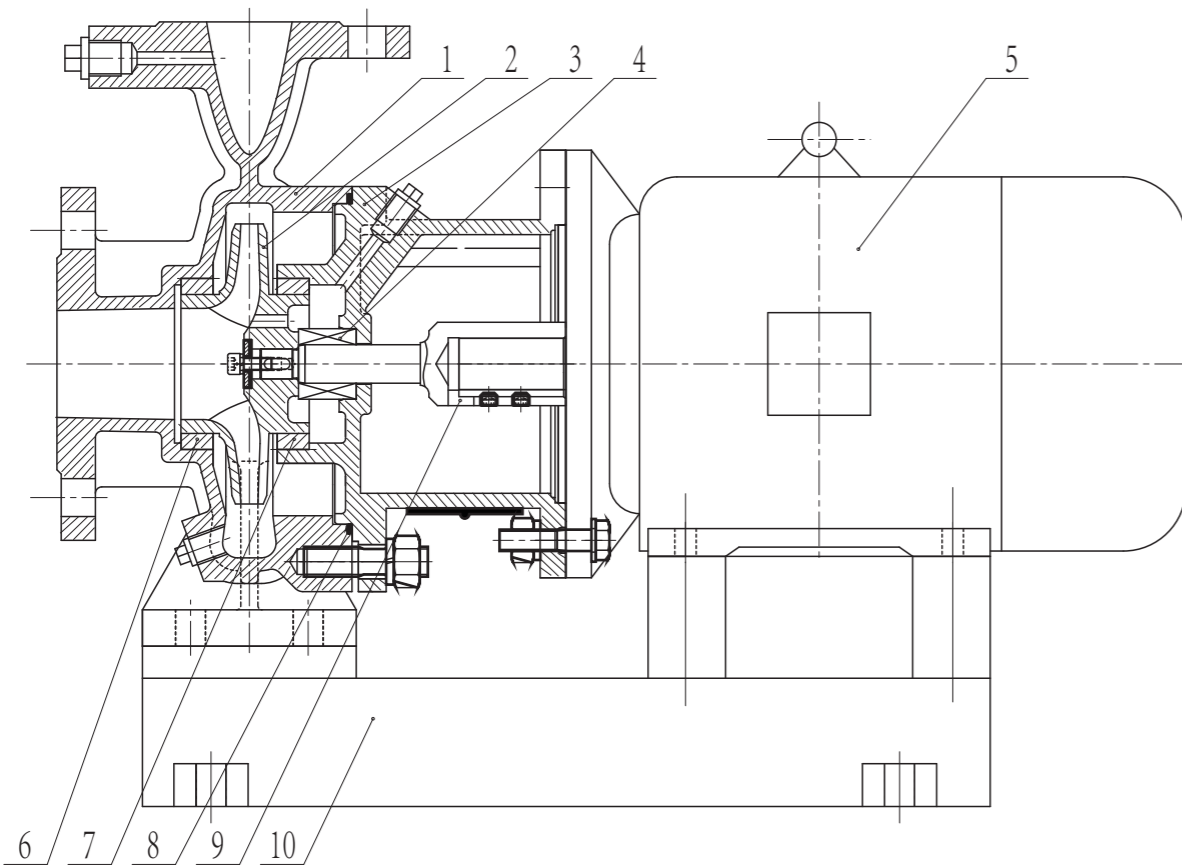
TWZ Structural type and configuration

TWZ技术特点 TWZ technical feature

TWZ系列卧式带刚性轴悬臂式单级单吸离心泵是由TPW派生出来的，DN32-200，泵体、叶轮与TPW通用，电机支座与TP泵通用。TWZ突出特点比TPW使用温度高。

TWZ series horizontal rigid coupled cantilever single-stage single-suction centrifugal pump is derived from TPW series. It shares the same pump body, impeller as TPW and the same motor support as TP series. TWZ features a higher operating temperature than TPW.

TWZ结构图 TWZ Structure diagram



泵材质说明 Material description of pump parts

序号 Item No.	零部件 Part	材料 Material	标准 Standard	应用 Application
1	泵体 Pump casing	铸铁HT250 Cast iron HT250	GB/T9439-2010	PN16标配 额定扬程≤80m、DN≤200mm PN16 standard configuration Rated head≤80m, DN≤200mm
2	叶轮 Impeller	铸铁HT200 Cast iron HT200	GB/T9439-2010	标配 Standard configuration
		ZG07Cr19Ni10	GB/T2100-2017	选配 Selective breeding
3	电机支座 Motor support	铸铁HT250 Cast iron HT250	GB/T9439-2010	标配 Standard configuration
4	机械密封 Mechanical seal	/	GB/T6556-2016 GB/T33509-2017	16bar泵标配（相当于UN型EN12756）不平衡型橡胶波纹管密封 Unbalanced rubber bellows seal, suitable for 16bar pump
				专用订制平衡型机封，适用于25bar泵型 Balanced machine seal, suitable for 25bar pump
5	电机 Motor	/	GB755-2008 GB18613-2020	380V/50Hz B35型 标配YE3，选配YE4或YE5 380V/50Hz B35 YE3, standard configuration YE4 or YE5, Selective breeding
6	泵体密封环 Pump casing seal ring	青铜ZCuSn10Zn2 Bronze ZCuSn10Zn2	GB/T1176-2013	选配 Selective breeding
7	电机支座密封环 Motor support seal ring	青铜ZCuSn10Zn2 Bronze ZCuSn10Zn2	GB/T1176-2013	标配 Standard configuration
8	O形圈 O-ring	EPDM	GB/T3452.1-2005	泵标配三元乙丙橡胶 EPDM, standard configuration
		FKM	GB/T30308-2013	氟橡胶，适用于腐蚀性介质，选配 Fluorine rubber, suitable for corrosive media, selective breeding
9	轴 Shaft	20Cr13	GB/T20878-2007	标配 Standard configuration
		不锈钢06Cr19Ni10	GB/T20878-2007	大功率泵可用420替代304 选配 Selective breeding
10	底座 Base	碳钢Q235 Carbon Q235	GB/T700-2006 GB/T709-2006	钢板折弯或型钢焊接组件，标配 Steel plate bending or section steel welded components, standard configuration

TWX结构型式及配置

TWX Structural type and configuration

TWX系列卧式管道循环泵，系上海天泉泵业集团有限公司于2023年在吸收国内外卧式带悬架的悬臂式单级单吸离心泵同类产品的优点并按照现行相关标准自主研发的第四代卧式单级端吸离心泵产品，继承了TP/TPW泵中优秀的水力模型，泵效率及抗汽蚀性能更加优异，TWX比TPW和TWZ使用温度更高，总体结构更加合理，运行更安全、平稳、可靠，在无需拆管路和电机的情况下泵解体检修更加方便。

The TWX series horizontal pipe circulating pump, Shanghai Tianquan Pump Group Co., Ltd. in 2023 in the absorption of domestic and foreign horizontal with suspension cantilever single-stage and single suction centrifugal pump similar products of advantages and current in accordance with the current relevant standards of independent research and development of the fourth generation of horizontal single-stage single-suction centrifugal pump products, inherited the TP/TPW pumps excellent hydraulic model, pump efficiency and corrosion resistance are even better. TWX is used higher temperature than TPW and TWZ, the overall structure is more reasonable, has been optimized on the basis of the second generation TQW, to make its structure more reasonable, the operation is safer, stable and reliable, and more convenient for pump disassembly and maintenance without need for pipe and motor removal.

TWX型管道循环泵为卧式单级单吸（轴向吸入）离心泵，泵进出口与管道均为法兰连接，配380V/50Hz/YE3或YE4及YE5系列B3型标准电机和机械密封。

The improved pipe circulating pump is a horizontal single stage single suction (axial suction) centrifugal pump, the pump inlet and outlet and the pipeline are flange connected, with 380V/50Hz/YE3 or YE4 and YE5 series B3 type standard motor and mechanical seal.

TWX全系列产品设计温度为150°C。名义额定扬程≤80m的泵设计压力为16bar，进出口法兰和承压边界壁厚均按16bar设计。名义额定扬程125m的泵，设计压力为25bar，进口法兰确定按PN16设计，出口法兰和壁厚按PN25设计。

The design temperature of TPW full series of products is 120°C. The design pressure of pump with nominal head 80m is 16 bar, and the wall thickness of inlet and outlet flange and pressure boundary is design as 16 bar. For the nominal head 125m pump, the design pressure is 25 bar, the inlet flange is designed according to PN16, and the outlet flange and wall thickness are designed according to PN25.

TWX的泵体和叶轮与TPW基本通用，出口口径为DN32~DN350。其中DN150增加一档配带2极电机、额定扬程80m和125m、叶轮名义250mm和315mm规格。

Pump casing and impeller of TWX are basically universal with TPW, and the outlet diameter is DN32~DN350. DN150 adds with 2 pole motor, rated head 80m and 125m, impeller nominal diameter 250mm and 315mm specifications.

TWX产品设计转速有2960/1480/985rpm三种转速供选择。

The TWX product is designed at 2960/1480/985 rpm at three rotational speeds.

TWX与TPW的泵体、叶轮毛坯通用。TWX拥有独立的泵盖和轴承悬架，泵体与泵盖及紧固件等组成泵承压边界，泵转子运行中产生的轴向力和径向力由悬架部件中的轴承承受。泵与电机通过标准膜片联轴器连接固定在共同底座上，拆解泵时无需动管路和电机。对于配≤7.5kW以下电机的泵组采用折弯式底座，通过膨胀螺栓固定在混凝土基础上或通过钢制螺栓固定在预埋金属板上；对于配≥11kW电机的泵组，采用型钢组焊结构底座，底座通过二次灌浆的地脚螺栓固定在此基础上。

The nominal diameter of the pump import according to ISO2858 standard mostly is large than the outlet. The inlet is axial inhalation, the inlet diameter is reasonably selected and determined according to the flow rate, and the outlet is the upward center discharge. The impeller is installed on the special motor shaft extension, and the impeller design has considered the axial force balance. The pump casing and pump casing cover are equipped with replaceable sealing rings (pumps below DN65 & head 32m shall only set the front sealing ring on the pump casing) to ensure long-time efficient operation of the pump and improve the versatility of the pump casing cover. The pump is not equipped with bearings. The radial forces and axial forces are borne by the motor bearings. The pump and motor are fixed on the common base through the bolts connection. For the pump group equipped with motors below 7.5 kW, adopt the bending base, fixed on the concrete foundation by expansion bolts or fixed on the embedded metal plate by steel bolts. For the pump group with 11~37 kW motors, type steel welding structure base is used and slide rail is set on the base. For the pump group with 45~215 kW motors, type steel welding structure base, and top wire is set on the casing cover and impeller for maintenance or repair without moving the pump casing to connect the pipe and foundation.

装配在TWX泵上的电机均为封闭、风冷、三相异步鼠笼式标准电机，其主要技术要求符合GB或IEC相关标准，机座号80M1~355L。

YE3标配，YE4/YE5选配，B3型

相对湿度 ≤95%

防护等级 IP55

绝缘等级 F级

旋转方向：从电机风扇端向泵看为顺时针

The motors assembled on the TPW pump are closed, air-cooled, three-phase heterogeneous rat cage special motors. The main technical requirements meet the relevant standards of GB or IEC. The seat number is 80M1~355L.

YE3, standard configuration, YE4/YE5, selective breeding, B3 type

Relative humidity of 95%

Protection level: IP55

Insulation grade: F

Rotation direction: look clockwise from the motor fan end to the pump

TWX泵组主要特点

Main characteristics of the TPW pump group

- 泵总体结构先进、合理，泵与电机通过加长式膜片联轴器安装在共同底座上，拆装方便

- 标配高效YE3（3级能效）三相异步电机或根据客户要求选配超高效YE4（2级能效）或YE5（1级能效）标准电机

- 更高效的泵过流部件水力优化设计，降低能耗，推荐运行范围0.7Qn~1.2Qn宽于GB/T13007 B线，且具体给出0.7Qn、0.85Qn、1.0Qn、1.1Qn和1.2Qn五个流量点的扬程、轴功率、汽蚀余量指标

- 适宜的泵进口口径设计，保持合理的进口流速，降低损失，确保高效的同时兼顾高抗汽蚀性能

- 可适用于现场不同管路系统口径、压力等级配置

- 叶轮外径切割后尺寸的确定按照在1.2Qn流量点轴功率充分接近电机额定输出功率以便于电机在高效区运行，安全可靠

- 叶轮采用由数控加工中心制作的金属模具及精密铸造，设计流道中心与加工基准中心重合度高，且更好的水力、机械平衡，使泵运行更加平稳

- 泵壳体配备可更换的密封环以确保泵始终保持高效状态

- 可配置适用不同流体介质的机封

- 两种不同结构底座设计，便于检、维修

- 泵体、泵盖三维设计后模具数控加工，模具过流部分尺寸偏差控制在0.2mm之内；采用覆膜砂铸造工艺，机器造型，铸件尺寸精度可达CT7级，铸件表面粗糙度12.5μm以下；铸件在天泉进口双工作台加工中心一次装夹完成整个零件加工，加工精度为微米级，保证了所有加工部位的尺寸公差及形位公差；加工后铸件经过保护后再进行电泳处理改善耐腐蚀性能，DN250及以上的泵体采用天泉蓝或黑喷漆

- The overall structure of the pump is advanced and reasonable, and motor and pump direct connection design, reducing the floor area

- Standard high efficiency YE3 three-phase asynchronous motor or ultra high efficiency YE4 motor according to customer requirements, national standard 2,3 energy efficiency

- More efficient hydraulic optimization design of pump flow parts to reduce energy consumption, recommended operation range 0.7Qn~1.2Qn is wider than GB/T13007 B line, and specifically give the head, shaft power and cavitation indicators of five flow points of 0.7Qn, 0.85Qn, 1.0Qn, 1.1Qn, 1.2Qn

- Suitable pump inlet diameter design, maintain reasonable inlet flow rate, reduce loss, ensure high efficiency while taking into account high corrosion resistance

- It can be applied to different pipeline system caliber and pressure level configuration

- The size of the impeller outer diameter after cutting is determined according to the rated output power of the motor at the shaft power at 1.2Qn flow point to facilitate the operation of the motor in the efficient area, safe and reliable

- The impeller adopts metal mold and precision casting made by CNC machining center. The design flow channel center and the machining reference center have high coincidence degree, and better hydraulic and mechanical balance, making the pump operation more stable

- The pump casing is equipped with a replaceable sealing ring to ensure that the pump is always efficient

- Configure seals for different fluid media

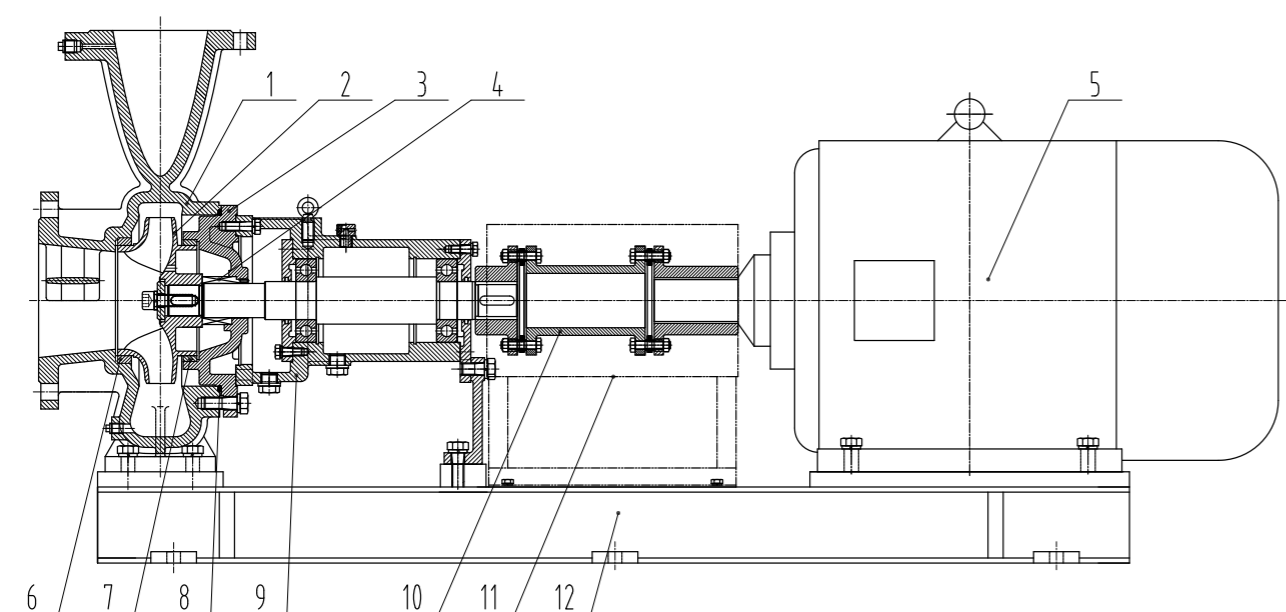
- Three different structures of the base design, easy to inspection, maintenance

- After 3D design of pump casing and pump casing cover, the die is CNC and the size deviation of the excessive part of the die shall be controlled within 0.2mm. The casting process reaches CT7 and the casting surface roughness is below 12.5μm; the machining accuracy is micron level to ensuring the size tolerance of all machining parts. The castings are protected by electrophoresis treatment to improve the corrosion resistance. The pump casing of DN250 and above is painted in Tianquan blue or black paint

TWX结构型式及配置

TWX Structural type and configuration

TWX结构图 TWX Structure diagram



泵材质说明 Material description of pump parts

序号	零部件 Part	材料 Material	标准 Standard	应用 Application
1	泵体 Pump casing	铸铁 HT250 Cast iron HT250	GB/T9439-2010	PN16标配 额定扬程≤80m PN16 standard configuration Rated head≤80m
		球墨铸铁 QT400-18 Nodular cast iron	GB1348-2019	PN16 DN ₀ ≥250mm配4极电机的泵, 选配 PN16 DN ₀ ≥250mm 4p motor, Selective breeding
		球墨铸铁 QT500 Nodular cast iron	GB1348-2019	PN25 DN ₀ 80-150标配, 扬程125m配2极电机泵 PN25 DN ₀ 80-150 standard configuration Rated head≥125m, 2p (n=2960)
2	叶轮 Impeller	铸铁 HT200 Cast iron HT200	GB/T9439-2010	标配 Standard configuration
		ZG07Cr19Ni10	GB/T2100-2017	选配 Selective breeding
3	泵盖 Pump casing cover	铸铁 HT250 Cast iron HT250	GB/T9439-2010	标配 Standard configuration
		球墨铸铁 QT400 Nodular cast iron	GB1348-2019	PN16 DN ₀ ≥250mm配4极电机的泵, 选配 PN16 DN ₀ ≥250mm 4p motor, Selective breeding
		球墨铸铁 QT500 Nodular cast iron	GB1348-2019	PN25 DN ₀ 80-150标配, 扬程125m配2极电机泵 PN25 DN ₀ 80-150 standard configuration Rated head≥125m, 2p (n=2960)
4	机械密封 Mechanical seal	金属浸渍碳石墨或 碳化硅/碳化硅 C or SiC / SiC	GB/T6556-2016	16bar泵标配不平衡型橡胶波纹管密封 Unbalanced rubber bellows seal, suitable for 16bar pump
		C (metal impregnation) or SiC / SiC	GB/T33509-2017	25bar泵配平衡型机封 Balanced machine seal, suitable for 25bar pump
5	电机 Motor	380V/50Hz B3型	GB18613-2020	标配3级, 选配2级或1级 YE3, standard configuration YE4 or YE5, Selective breeding
6	泵体密封环 Pump casing sealing ring	青铜ZCuSn10Zn2 Bronze ZCuSn10Zn2	GB/T1176-2013	标配 Standard configuration
7	泵盖密封环 Pump casing cover sealing ring	青铜ZCuSn10Zn2 Bronze ZCuSn10Zn2	GB/T1176-2013	标配 Standard configuration
8	O形圈 O-ring	EPDM	GB/T3452.1-2005	PN16泵标配三元乙丙橡胶 EPDM, standard configuration
		EPDM FKM	GB/T3452.1-2005	PN25泵标配三元乙丙橡胶 氟橡胶, 适用于腐蚀性介质, 选配 Fluorine rubber, suitable for corrosive media, selective breeding
9	轴承悬架部件	/		
10	联轴器部件	/		外购 Outsourcing
11	联轴器罩	/		外购 Outsourcing
12	底座 Base	碳钢Q235	GB/T700-2006	型钢焊接组件, 标配
		Carbon Q235	GB/T709-2006	Section steel welded components, standard configuration

机封 Mechanical seal

16bar泵用大弹簧、橡胶波纹管不平衡型（相当于UN型EN12756）机械密封 轴径18/25/35/45/55/65/75

最大运行温度140°C

如果实际运行温度超过120°C，且长期连续运行，建议应选非标配的OTSD轴封替代（不要用于饮用水）

Mechanical seal of large spring, rubber bellows unbalanced (equivalent to UN type EN12756).

Shaft diameter 18/25/35/45/55/65/75 Maximum operating temperature is +140°C.

If the actual operating temperature exceeds 120°C(120-140°C), and long-time continuous operation, it is recommended to choose standard OTSD shaft seal instead (not for drinking water).

25bar泵用带固定弹簧驱动的O形圈密封或平衡型O形圈密封

Seal with fixed spring drive & O-ring or Balance seal with O-ring for 25 bar pump.

轴封代码示例

Example of shaft seal code

B	T	S	E
			二级密封材料 Grade II sealing material E: 三元乙丙橡胶 EPDM P: 丁晴橡胶 NBR F: 氟橡胶 FKM D: 全氟醚橡胶 FFKM
			静环材料 Stationary ring material C: 石墨浸合成树脂 Graphite-immersed synthetic resin T: 石墨浸锑 Graphite-soaked antimony S: 碳化硅 SiC W: 碳化钨 WC
			动环材料 Rotary ring material T: 石墨浸锑 Graphite-soaked antimony C: 石墨浸合成树脂 Graphite-immersed synthetic resin S: 碳化硅 SiC
			天泉机封代码 TQ machine seal code S: 带固定弹簧驱动的O形圈密封 Seal with fixed spring drive & O-ring B: 橡胶波纹管密封 Rubber bellows seal O: 平衡型O形圈密封 Balance seal with O-ring L: 带缩小密封面的波纹管密封 Bellow pipe seal with reduced sealing surface R: 带缩小密封面的O形圈密封 O-ring seal with a reduced sealing face

轴封代码 Shaft seal code	温度范围 (°C) Temperature range (°C)	适用于介质种类 Medium type	机封处轴径 (mm) Shaft diameter of machine seal (mm)						
			18	25	35	45	55	65	75
			最大工作压力 (bar) Max. Operation pressure (bar)						
BTSE*	0 ~ +120	水 water; 合成油 cogasin	16	16	16	16	16	16	16
BTSE	0 ~ +90	水 water; 合成油 cogasin	16	16	16	16	16	16	16
BSSE	0 ~ +90	淡盐水 light salt brine 冷却剂 coolant 合成油 cogasin 清洗剂 abluent 盐 salt 碱 alkali	16	16	16	16	16	16	16
BSSE	0 ~ +90	水等 water, etc.	16	16	16	16	16	16	16
BSCE	0 ~ +90	地下水 groundwater 锅炉给水 boiler feed water 凝结水 condensated water 软化水 softened water 氧化剂 oxidant 合成油、植物油 cogasin & plant oil	16	16	16	-	-	-	-
BCSE	0 ~ +120	饮用水 drinking water	16	16	16	16	16	16	16
LSSE	-25 ~ +60	水 water 冷却剂 coolant 清洗剂 abluent 氧化剂 oxidant 盐 salt 碱 alkali	16	16	16	16	16	16	16
LSSF	-20 ~ +60	地下水 groundwater 锅炉给水 boiler feed water 凝结水 condensated water 软化水 softened water 氧化剂 oxidant	16	16	16	16	16	16	16
SSSE	0 ~ +90	水 water; 合成油 cogasin	16	16	16	25	25	16	16
SSSF	0 ~ +90	水 water; 合成油 cogasin	16	16	16	25	25	16	16
STSE	0 ~ +120	水 water; 合成油 cogasin	16	16	16	25	25	16	16
STSF	0 ~ +90	水 water; 合成油 cogasin	16	16	16	25	25	16	16
SSSE	-40 ~ +120	水 water 冷却剂 coolant 清洗剂 abluent 氧化剂 oxidant 盐 salt 碱 alkali	16	16	16	25	25	16	16
STSD*	0 ~ +150	地下水 groundwater 锅炉给水 boiler feed water 凝结水 condensated water 软化水 softened water 氧化剂 oxidant 合成油、植物油 cogasin & plant oil	16	16	16	25	25	16	16

注：1. *——标配；

2. 其它——选配

Note: 1.*----standard;

2. other one ----optional

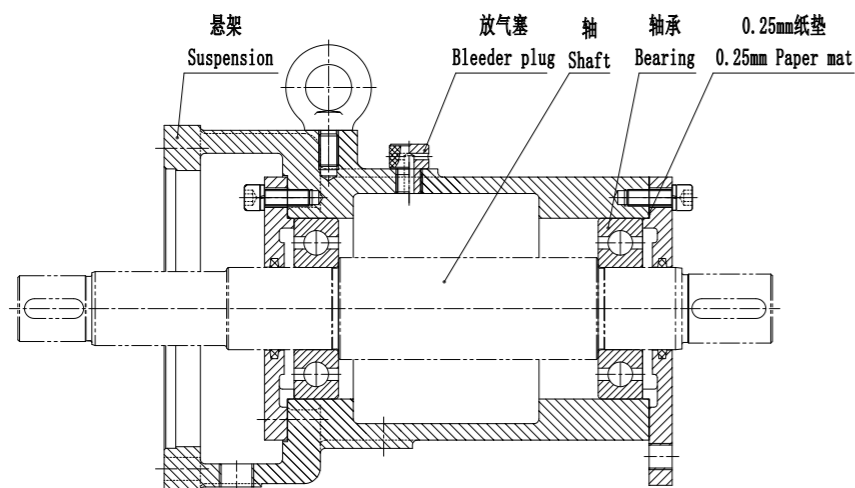
轴承悬架部件

Bearing suspension assembly

TWX泵共有6种悬架部件。

泵端轴承为单列深沟球或滚子轴承，联轴器端为单列或双列深沟球轴承。

TWX has six types suspension parts. Bearings at the pump end are single-row deep groove ball bearing or roller bearings while coupling end is single-row or double-row deep groove ball bearings.



TWX泵悬架备品备件配置表 TWX Pump Suspension Spare Parts Configuration Table

悬架号 Suspension number	泵端轴承型号 Bearing type of pump end	驱动端轴承型号 Bearing type of drive end	备注 Note
30	2×6206-2Z	6306-2Z	0.25mm厚纸垫
40	2×6208-2Z	6308-2Z	0.25mm厚纸垫
50	6310-2Z	6310-2Z	0.25mm厚纸垫
60	6312-2Z	6312-2Z	0.25mm厚纸垫
70	2×6214-2Z	6314-2Z	0.25mm厚纸垫
80A	6316-2Z	6316-2Z	0.25mm厚纸垫
80B	NU316E	2×6316-2Z	0.25mm厚纸垫

联轴器

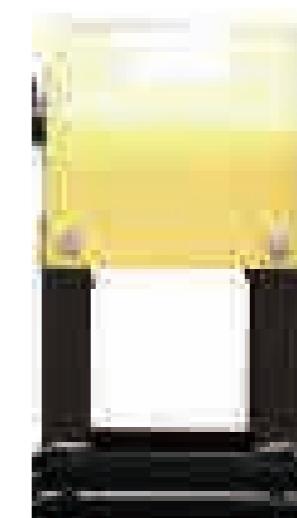
Coupling

采用行标JB/T9147-1999加长膜片联轴器

Using industry standard JB/T9147-1999 -Extended diaphragm coupling



联轴器罩 Coupling guard





电机数据

Motor data

优先推荐使用符合GB/T755-2019和GB18613-2020标准的2极、4极、6极3×380V/50Hz B35或B3型电机，标准电机数据（3级能效YE3高效、2级能效YE4超高效、1级能效YE5超超高效）详见下表。

电机实际运行数据详见电机生产厂家样本，一般可能与本表数据略有出入。

It is recommended to use 2/4/6 pole 3×380V/50Hz B35 or B3 motors in according with GB/T755-2019 and GB18613-2020, standard electrical data (level 3 energy efficiency YE3 high efficiency, level 2 energy efficiency YE4 ultra-high efficiency, level 1 energy efficiency YE5 ultra-high efficiency) are shown in the table below.

Actual operation data of motor is detailed in the sample of motor manufacturer, which may be slightly different from the data in this table.

2极 3×380V/50Hz（三级能效YE3高效、二级能效YE4超高效、一级能效YE5超超高效）

2 pole 3×380V/50Hz standard motor electrical data (level3 energy efficiency YE3 high efficiency, level 2 energy efficiency YE4 super efficiency, level 1 energy efficiency YE5 super efficiency)

型号 Type	额定功率 Rated Output (kW)	电流 Current (A)	转速 Speed (r/min)	效率 Eff. (%)	功率因数 Power factor (cosψ)	最大转矩 额定转矩 Max torque Rated current	堵转电流 额定电流 Locked Current Rated Current	噪声限值 Noise limit dB(A)	振动限值 Vibration limit (mm/s)	重量 Weight (kg)
YE3-80M1-2	0.75	1.7	2870	80.7	0.82	2.3	7.0	62	1.8	18
YE4-80M1-2		1.6	2895	83.5	0.83	2.3	8.5	62		18
YE5-80M1-2		1.6	2895	86.3	0.83	2.3	8.5	62		18
YE3-80M2-2	1.1	2.4	2875	82.7	0.83	2.3	7.6	62	1.8	18.5
YE4-80M2-2		2.4	2890	85.2	0.83	2.3	8.5	62		20
YE5-80M2-2		2.4	2890	87.8	0.83	2.3	8.5	62		20
YE3-90S-2	1.5	3.2	2880	84.2	0.84	2.3	7.9	67	1.8	22
YE4-90S-2		3.1	2880	86.5	0.85	2.3	9.0	67		26
YE5-90S-2		3.1	2880	88.9	0.85	2.3	9.0	67		26
YE3-90L-2	2.2	4.6	2880	85.9	0.85	2.3	7.9	67	1.8	27
YE4-90L-2		4.4	2880	88.0	0.86	2.3	9.0	67		30
YE5-90L-2		4.4	2880	90.2	0.86	2.3	9.0	67		30
YE3-100L-2	3	6.0	2880	87.1	0.87	2.3	8.5	74	1.8	33
YE4-100L-2		5.9	2905	89.1	0.87	2.3	9.5	74		37
YE5-100L-2		5.9	2905	91.1	0.87	2.3	9.5	74		37
YE3-112M-2	4	7.8	2915	88.1	0.88	2.3	8.5	77	1.8	44
YE4-112M-2		7.7	2920	90.0	0.88	2.3	9.5	77		47
YE5-112M-2		7.7	2920	91.8	0.88	2.3	9.5	77		47
YE3-132S1-2	5.5	10.6	2935	89.2	0.88	2.3	8.5	79	1.8	66
YE4-132S1-2		10.4	2945	90.9	0.88	2.3	9.5	79		66
YE5-132S1-2		10.4	2945	92.6	0.88	2.3	9.5	79		66
YE3-132S2-2	7.5	14.4	2930	90.1	0.88	2.3	8.5	79	1.8	73
YE4-132S2-2		14.0	2940	91.7	0.89	2.3	9.5	79		74
YE5-132S2-2		14.0	2940	93.3	0.89	2.3	9.5	79		74
YE3-160M1-2	11	20.6	2950	91.2	0.89	2.3	8.5	81	2.8	115
YE4-160M1-2		20.3	2965	92.6	0.89	2.3	9.5	81		122
YE5-160M1-2		20.3	2965	94.0	0.89	2.3	9.5	81		122
YE3-160M2-2	15	27.9	2945	91.9	0.89	2.3	8.5	81	2.8	125
YE4-160M2-2		27.5	2965	93.3	0.89	2.3	9.5	81		133
YE5-160M2-2		27.5	2965	94.5	0.89	2.3	9.5	81		133
YE3-160L-2	18.5	34.2	2945	92.4	0.89	2.3	8.5	81	2.8	142
YE4-160L-2		33.7	2965	93.7	0.89	2.3	9.5	81		152
YE5-160L-2		33.7	2965	94.9	0.89	2.3	9.5	81		152
YE3-180M-2	22	40.5	2950	92.7	0.89	2.3	8.5	83	2.8	175
YE4-180M-2		40.0	2970	94.0	0.89	2.3	9.5	83		192
YE5-180M-2		40.0	2970	95.1	0.89	2.3	9.5	83		192

型号 Type	额定功率 Rated Output (kW)	电流 Current (A)	转速 Speed (r/min)	效率 Eff. (%)	功率因数 Power factor (cosψ)	最大转矩 额定转矩 Max torque Rated current	堵转电流 额定电流 Locked Current Rated Current	噪声限值 Noise limit dB(A)	振动限值 Vibration limit (mm/s)	重量 Weight (kg)
YE3-200L1-2	30	54.9	2965	93.3	0.89	2.3	8.5	84	2.8	249
YE4-200L1-2		54.2	2965	94.5	0.89	2.3	9.0	84		252
YE5-200L1-2		54.2	2965	95.5	0.89	2.3	9.0	84		252
YE3-200L2-2	37	67.4	2965	93.7	0.89	2.3	8.5	84	2.8	255
YE4-200L2-2		66.6	2965	94.8	0.89	2.3	9.0	84		276
YE5-200L2-2		66.6	2965	95.8	0.89	2.3	9.0	84		276
YE3-225M-2	45	80.8	2965	94.0	0.90	2.3	8.0	86	2.8	306
YE4-225M-2		80.9	2970	95.0	0.90	2.3	9.0	86		316
YE5-225M-2		80.9	2970	96.0	0.90	2.3	9.0	86		316
YE3-250M-2	55	98.5	2975	94.3	0.90	2.3	8.0	89	3.5	417
YE4-250M-2		98.5	2980	95.3	0.89	2.3	9.0	89		417
YE5-250M-2		98.5	2980	96.2	0.89	2.3	9.0	89		417
YE3-280S-2	75	134	2975	94.7	0.90	2.3	7.5	91	3.5	544
YE4-280S-2		134	2975	95.6	0.89	2.3	8.5	91		607
YE5-280S-2		134	2975	96.5	0.89	2.3	8.5	91		607
YE3-280M-2	90	160	2975	95.0	0.90	2.3	7.5	91	3.5	620
YE4-280M-2		160	2975	95.8	0.89	2.3	8.5	91		671
YE5-280M-2		160	2975	96.6	0.89	2.3	8.5	91		671
YE3-315S-2	110	195	2985	95.2	0.90	2.3	7.5	92	3.5	966
YE4-315S-2		196	2985	96.0	0.89	2.3	8.5	92		1000
YE5-315S-2		196	2985	96.8	0.89	2.3	8.5	92		1000
YE3-315M-2	132	234	2985	95.4	0.90	2.3	7.5	92	3.5	1067
YE4-315M-2		234	2985	96.2	0.89	2.3	8.5	92		1100
YE5-315M-2		234	2985	96.9	0.89	2.3	8.5	92		1100
YE3-315L1-2	160	279	2985	95.6	0.90	2.3	7.5	92	3.5	1151
YE4-315L1-2		284	2985	96.3	0.89	2.2	8.5	92		1185
YE5-315L1-2		284	2985	97.0	0.89	2.2	8.5	92		1185
YE3-315L-2	185	323	2985	95.7	0.91	2.3	7.5	92	3.5	1200
YE4-315L-2		328	2985	96.4	0.89	2.2	8.5	92		1230
YE5-315L-2		328	2985	97.1	0.89	2.2	8.5	92		1230
YE3-315L2-2	200	349	2985	95.8	0.91	2.2	7.5	92	3.5	1240
YE4-315L2-2		354	2985	96.5	0.89	2.2	8.5	92		1280
YE5-315L2-2		354	2985	97.2	0.89	2.2	8.5	92		1280
YE3-355M1-2	220	383	2985	95.8	0.91	2.2	7.5	100	3.5	1700
YE4-355M1-2		389	2985	96.5	0.89	2.2	8.5	97		1850
YE5-355M1-2		378	2985	97.2	0.91	2.2	8.5	97		1930
YE3-355M-2	250	436	2985	95.8	0.91	2.2	7.5	100	3.5	2020
YE4-355M-2		433	2985	96.5	0.91	2.2	8.5	97		2080
YE5-355M-2		429	2985	97.2	0.91	2.2	8.5	97		2145
YE3-355L1-2	280	488	2985	95.8	0.91	2.2	7.5	100	3.5	1200
YE4-355L1-2		484	2985	96.4	0.89	2.2	8.5	97		1230
YE5-355L1-2		481	2985	97.2	0.91	2.2	8.5	97		1230
YE3-355L-2	315	549	2985	95.8	0.91	2.2	7.5	100	3.5	2220
YE4-355L-2		545	2985	96.5	0.91	2.2	8.5	97		2310
YE5-355L-2		541	2980	97.2	0.91	2.2	8.5	97		2440
YE3-355 1-2	355	619	2985	95.8	0.91	2.2	7.5	100	3.5	2450
YE4-355 1-2		621	2985	96.5	0.90	1.8	8.6	97		2580
YE5-355 1-2		610	2985	97.2	0.90	1.8	8.6	97		2630

电机数据

Motor data

4极 3×380V/50Hz (三级能效YE3高效、二级能效YE4超高效、一级能效YE5超超高效)

4 pole 3×380V/50Hz standard motor electrical data (level3 energy efficiency YE3 high efficiency, level 2 energy efficiency YE4 super efficiency, level 1 energy efficiency YE5 super efficiency)

型号 Type	额定功率 Rated Output (kW)	电流 Current (A)	转速 Speed (r/min)	效率 Eff. (%)	功率因数 Power factor (cosψ)	最大转矩 额定转矩 Max torque Rated current	堵转电流 额定电流 Locked Current Rated Current	噪声限值 Noise limit dB(A)	振动限值 Vibration limit (mm/s)	重量 Weight (kg)
YE3-80M2-4	0.75	1.8	1430	82.5	0.75	2.3	6.6	56	1.8	19
YE4-80M2-4		1.8	1440	85.7	0.74	2.3	8.5	56		20
YE5-80M2-4		1.75	1390	88.2	0.74	2.3	8.5	56		21
YE3-90S-4	1.1	2.6	1430	84.1	0.76	2.3	6.8	59	1.8	26
YE4-90S-4		2.6	1445	87.2	0.75	2.3	8.5	59		27
YE5-90S-4		2.49	1390	89.5	0.75	2.3	8.5	59		28
YE3-90L-4	1.5	3.5	1430	85.3	0.77	2.3	7.0	59	1.8	29
YE4-90L-4		3.4	1445	88.2	0.76	2.3	9.0	59		30
YE5-90L-4		3.32	1390	90.4	0.76	2.3	9.0	59		31
YE3-100L1-4	2.2	4.8	1440	86.7	0.81	2.3	7.6	64	1.8	34
YE4-100L1-4		4.7	1450	89.5	0.79	2.3	9.0	64		35
YE5-100L1-4		4.63	1410	91.4	0.79	2.3	9.0	64		36
YE3-100L2-4	3	6.3	1440	87.7	0.82	2.3	7.6	64	1.8	37
YE4-100L2-4		6.3	1450	90.4	0.80	2.3	9.5	64		40
YE5-100L2-4		6.19	1410	92.1	0.80	2.3	9.5	64		42
YE3-112M-4	4	8.4	1455	88.6	0.82	2.3	7.8	65	1.8	47
YE4-112M-4		8.3	1460	91.1	0.80	2.3	9.5	65		49
YE5-112M-4		8.19	1435	92.8	0.80	2.3	9.5	65		50
YE3-132S-4	5.5	11.2	1465	89.6	0.83	2.3	7.9	71	1.8	70
YE4-132S-4		11.4	1475	91.9	0.81	2.3	9.5	71		70
YE5-132S-4		11.2	1440	93.4	0.80	2.3	9.5	71		72
YE3-132M-4	7.5	15.0	1465	90.4	0.84	2.3	7.5	71	1.8	80
YE4-132M-4		15.2	1470	92.6	0.83	2.3	9.5	71		84
YE5-132M-4		15.0	1440	94.0	0.81	2.3	9.5	71		88
YE3-160M-4	11	21.5	1470	91.4	0.85	2.3	7.7	73	2.8	123
YE4-160M-4		21.6	1470	93.3	0.84	2.3	9.5	73		135
YE5-160M-4		21.3	1460	94.6	0.83	2.3	9.5	73		140
YE3-160L-4	15	28.8	1470	92.1	0.86	2.3	7.8	73	2.8	156
YE4-160L-4		28.9	1470	93.9	0.85	2.3	9.5	73		137
YE5-160L-4		28.5	1460	95.1	0.84	2.3	9.5	73		145
YE3-180M-4	18.5	35.3	1470	92.6	0.86	2.3	7.8	76	2.8	196
YE4-180M-4		35.1	1475	94.2	0.85	2.3	9.5	76		169
YE5-180M-4		34.7	1470	95.3	0.85	2.3	9.5	76		175
YE3-180L-4	22	41.8	1470	93.0	0.86	2.3	7.8	76	2.8	190
YE4-180L-4		41.6	1475	94.5	0.85	2.3	9.5	76		210
YE5-180L-4		41.2	1470	95.5	0.85	2.3	9.5	76		220
YE3-200L-4	30	56.6	1475	93.6	0.86	2.3	7.3	76	2.8	255
YE4-200L-4		56.5	1485	94.9	0.85	2.3	9.0	76		270
YE5-200L-4		55.9	1470	95.9	0.85	2.3	9.0	76		280
YE3-225S-4	37	69.6	1480	93.9	0.86	2.3	7.4	78	2.8	270
YE4-225S-4		69.5	1490	95.2	0.85	2.3	9.0	78		310
YE5-225S-4		68.8	1475	96.1	0.85	2.3	9.0	78		315

型号 Type	额定功率 Rated Output (kW)	电流 Current (A)	转速 Speed (r/min)	效率 Eff. (%)	功率因数 Power factor (cosψ)	最大转矩 额定转矩 Max torque Rated current	堵转电流 额定电流 Locked Current Rated Current	噪声限值 Noise limit dB(A)	振动限值 Vibration limit (mm/s)	重量 Weight (kg)
YE3-225M-4	45	84.4	1480	94.2	0.86	2.3	7.4	78	2.8	300
YE4-225M-4		84.3	1485	95.4	0.86	2.3	9.0	78		350
YE5-225M-4		83.5	1475	96.3	0.85	2.3	9.0	78		370
YE3-250M-4	55	103	1485	94.6	0.86	2.3	7.4	79	3.5	398
YE4-250M-4		102	1485	95.7	0.87	2.3	9.0	79		445
YE5-250M-4		101	1480	96.5	0.86	2.3	9.0	79		475
YE3-280S-4	75	136	1490	95.0	0.88	2.3	6.9	80	3.5	522
YE4-280S-4		136	1490	96.0	0.88	2.3	8.5	80		586
YE5-280S-4		135	1480	96.7	0.87	2.3	8.5	80		600
YE3-280M-4	90	163	1490	95.2	0.88	2.3	6.9	80	3.5	620
YE4-280M-4		162	1490	96.1	0.89	2.3	8.5	80		680
YE5-280M-4		160	1480	96.9	0.88	2.3	8.5	80		720
YE3-315S-4	110	199	1485	94.5	0.89	2.2	6.9	88	3.5	1012
YE4-315S-4		197	1490	95.6	0.89	2.2	7.0	88		1020
YE5-315S-4		194	1480	97.0	0.89	2.2	8.5	88		1100
YE3-315M-4	132	236	1490	95.8	0.89	2.2	7.0	88	3.5	1120
YE4-315M-4		234	1490	96.4	0.90	2.2	8.5	88		1170
YE5-315M-4		232	1480	97.1	0.89	2.2	8.5	88		1220
YE3-315L1-4	160	285	1490	95.9	0.89	2.2	7.1	88	3.5	1180
YE4-315L1-4		280	1490	96.6	0.90	2.2	8.5	88		1220
YE5-315L1-4		280	1490	96.6	0.90	2.2	8.5	88		1320
YE3-315L-4	185	329	1490	96.0	0.89	2.2	7.1	88	3.5	1260
YE4-315L-4		323	1490	96.7	0.90	2.2	8.5	88		1300
YE5-315L-4		-	-	-	-	-	-	-		-
YE3-315L2-4	200	352	1490	96.0	0.90	2.2	7.1	88	3.5	1295
YE4-315L2-4		349	1490	96.7	0.90	2.2	8.5	88		1331
YE5-315L2-4		347	1490	97.0	0.90	2.2	8.5	88		1400
YE3-315L3-4	220	387	1490	96.0	0.90	2.2	7.1	88	3.5	1460
YE4-315L3-4		384	1490	96.7	0.90	2.2	8.5	88		1660
YE5-315L3-4		-	-	-	-	-	-	-		-
YE3-355M1-4	220	387	1490	96.0	0.90	2.2	7.1	95	3.5	1550
YE4-355M1-4		384	1490	96.7	0.90	2.2	8.5	92		1750
YE5-355M1-4		-	-	-	-	-	-	-		-
YE3-355M-4	250	440	1495	96.0	0.90	2.2	7.1	95	3.5	1735
YE4-355M-4		436	1495	96.7	0.90	2.2	8.5	92		2050
YE5-355M-4		433	1490	97.4	0.90	2.2	8.5	92		2116
YE3-355L1-4	280	492	1495	96.0	0.90	2.2	7.1	95	3.5	1800
YE4-355L1-4		489	1495	96.7	0.90	2.2	8.5	92		2220
YE5-355L1-4		-	-	-	-	-	-	-		-
YE3-355L-4	315	554	1495	96.0	0.90	2.2	7.1	95	3.5	1885
YE4-355L-4		550	1490	96.7	0.90	2.2	8.5	92		2198
YE5-355L-4		546	1490	97.4	0.90	2.2	8.5	92		2381

电机数据 Motor data

6极 3×380V/50Hz (三级能效YE3高效、二级能效YE4超高效、一级能效YE5超超高效)

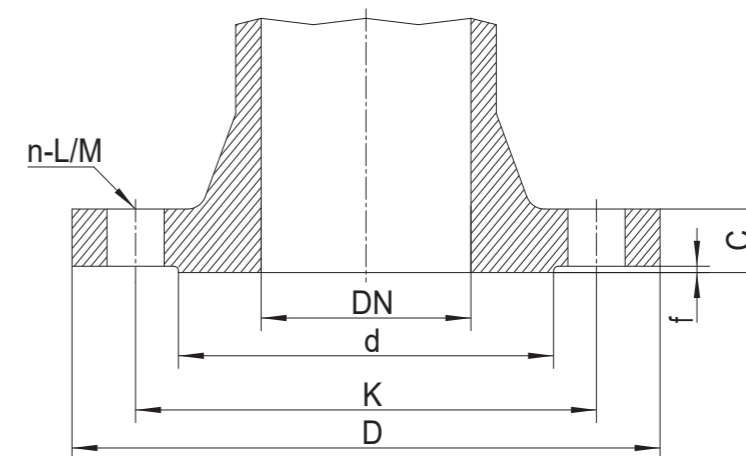
6 pole 3×380V/50Hz standard motor electrical data (level3 energy efficiency YE3 high efficiency, level 2 energy efficiency YE4 super efficiency, level 1 energy efficiency YE5 super efficiency)

型号 Type	额定功率 Rated Output (kW)	电流 Current (A)	转速 Speed (r/min)	效率 Eff. (%)	功率因数 Power factor (cosψ)	最大转矩 额定转矩 Max torque Rated current	堵转电流 额定电流 Locked Current Rated Current	噪声限值 Noise limit dB(A)	振动限值 Vibration limit (mm/s)	重量 Weight (kg)
YE3-100L-6	1.5	3.8	950	82.5	0.73	2.1	6.5	61	1.8	32
YE4-100L-6		3.7	960	85.9	0.71	2.1	7.5	61		34
YE5-100L-6		3.63	920	88.4	0.71	2.1	7.5	61		40
YE3-112M-6	2.2	5.4	965	84.3	0.74	2.1	6.6	65	1.8	42
YE4-112M-6		5.4	975	87.4	0.71	2.1	7.5	65		45
YE5-112M-6		5.25	935	89.7	0.71	2.1	7.5	65		53
YE3-132S-6	3	7.2	975	85.6	0.74	2.1	6.8	69	1.8	60
YE4-132S-6		7.2	985	88.6	0.71	2.1	7.5	69		63
YE5-132S-6		7.09	960	90.6	0.71	2.1	7.5	69		70
YE3-132M1-6	4	9.5	975	86.8	0.74	2.1	6.8	69	1.8	69
YE4-132M1-6		9.4	985	89.5	0.72	2.1	8.0	69		72
YE5-132M1-6		9.24	960	91.4	0.72	2.1	8.0	69		87
YE3-132M2-6	5.5	12.7	975	88.0	0.75	2.1	7.0	69	2.8	81
YE4-132M2-6		12.8	980	90.5	0.72	2.1	8.0	69		82
YE5-132M2-6		12.6	960	92.2	0.72	2.1	8.0	69		100
YE3-160M-6	7.5	16.2	980	89.1	0.79	2.1	7.0	70	2.8	116
YE4-160M-6		16.4	980	91.3	0.76	2.1	8.0	73		118
YE5-160M-6		16.1	970	92.9	0.76	2.1	8.0	73		130
YE3-160L-6	11	23.1	980	90.3	0.80	2.1	7.2	70	2.8	143
YE4-160L-6		23.5	980	92.3	0.77	2.1	8.5	73		145
YE5-160L-6		23.2	970	93.7	0.77	2.1	8.5	73		161
YE3-180L-6	15	30.9	980	91.2	0.81	2.1	7.3	73	2.8	181
YE4-180L-6		30.7	990	92.9	0.80	2.1	8.5	73		185
YE5-180L-6		30.2	970	94.3	0.80	2.1	8.5	73		225
YE3-200L1-6	18.5	37.8	985	91.7	0.81	2.1	7.3	73	2.8	228
YE4-200L1-6		37.6	990	93.4	0.80	2.1	8.5	73		230
YE5-200L1-6		37.1	980	94.6	0.80	2.1	8.5	73		282
YE3-200L2-6	22	44.8	985	92.2	0.81	2.1	7.4	73	2.8	239
YE4-200L2-6		44.0	990	93.7	0.81	2.1	8.5	73		260
YE5-200L2-6		43.5	980	94.9	0.81	2.1	8.5	73		295
YE3-225M-6	30	59.1	985	92.9	0.83	2.1	6.9	74	2.8	292
YE4-225M-6		59.0	990	94.2	0.82	2.1	8.3	74		301
YE5-225M-6		58.3	980	95.3	0.82	2.1	8.3	74		380
YE3-250M-6	37	71.7	985	93.3	0.84	2.1	7.1	76	3.5	387
YE4-250M-6		71.7	990	94.5	0.83	2.1	8.3	76		408
YE5-250M-6		70.8	980	95.6	0.83	2.1	8.3	76		460

法兰 Flange

TPW/TWZ/TWX系列改进型卧式端吸循环泵
TPW/TWZ/TWX series advanced horizontal end suction circulation pump

法兰尺寸 Flange



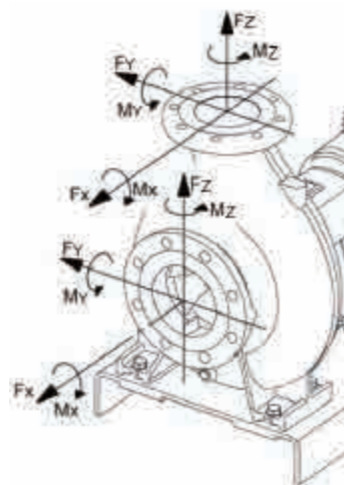
符合 GB/T17241.6-2008，等效于ISO7005-2/EN1092-2，共PN16 PN25两个等级见第11部分安装尺寸图和表

Accord with GB/t17241.6-2008, equivalent to ISO7005-2/EN1092-2, PN16 PN25, see installation drawing and table in the part 11.

整体铸铁法兰GB/T17241.6-2008 (未注单位: mm)

公称尺寸 Nominal Dimension	PN	法兰外径 Flange Outlet Dia.	螺栓孔 中心圆直径 Dia.of bolt hole circle	螺栓孔 直径 Dia.of bolt hole	n	螺纹规格 Thred Spec	密封面外径 Outer Dia.of flange	密封面高度 Sealing Thickness	C		
DN	(bar)	D	K	L	(pcs)	M	d	f	HT250	QT400	QT500
32	16	140	100	19	4	16	76	3	18	/	
40	16	150	110	19	4	16	84	3	18	19	
50	16	165	125	19	4	16	99	3	20	19	
65	16	185	145	19	4	16	118	3	20	19	
80	16	200	160	19	8	16	132	3	22	19	
80	25	200	160	19	8	16	132	3	26	19	
100	16	220	180	19	8	16	156	3	24	19	
100	25	235	190	23	8	20	156	3	28	19	
125	16	250	210	19	8	16	184	3	26	19	
125	25	270	220	28	8	24	184	3	30	19	
150	16	285	240	23	8	20	211	3	26	19	
150	25	300	250	28	8	24	211	3	34	20	
200	16	340	295	23	12	20	266	3	30	20	
250	16	405	355	28	12	20	319	3	32	22	
300	16	460	410	28	12	20	370	4	32	24.5	
350	16	520	470	28	16	20	429	4	36	26.5	

管口载荷 Pipe mouth load



灰铸铁 Gray Pig Iron	DN (mm)	力 Forces F (N)				力矩 Moments M (N·m)			
		F _x	F _y	F _z	Σ F*	M _x	M _y	M _z	Σ M*
卧式泵Z向--排出口方向 horizontal pump Z_discharge nozzle	32	315	298	368	578	385	263	298	560
	40	385	350	438	683	455	315	368	665
	50	525	473	578	910	490	350	403	718
	65	648	595	735	1155	525	385	420	770
	80	788	718	875	1383	560	403	455	823
	100	1050	945	1173	1838	613	438	508	910
	125	1243	1120	1383	2170	735	525	665	1068
	150	1575	1418	1750	2748	875	613	718	1278
	200	1910	2100	2345	3658	1138	805	928	1680
	250	2432	2216	2702	4253	1375	913	1116	1985
300	3038	2660	3240	5167	1671	1115	1354	2414	
350	3513	3118	3906	6115	1890	1264	1515	2720	
卧式泵X向--吸入口方向 horizontal pump X_suction nozzle	32	368	315	298	578	385	263	298	560
	40	438	385	350	683	455	315	368	665
	50	578	525	473	910	490	350	403	718
	65	735	648	595	1155	525	385	420	770
	80	875	788	718	1383	560	403	455	823
	100	1173	1050	945	1838	613	438	508	910
	125	1383	1243	1120	2170	735	525	665	1068
	150	1750	1575	1418	2748	875	613	718	1278
	200	2345	2100	1890	3658	1138	805	928	1680
	250	2702	2432	2216	4253	1375	913	1116	1985
300	3240	3038	2660	5167	1671	1115	1354	2414	
350	3906	3513	3118	6115	1890	1264	1515	2720	

球磨铸铁 Nodular Cast Iron	DN (mm)	力 Forces F (N)				力矩 Moments M (N·m)			
		F _x	F _y	F _z	Σ F*	M _x	M _y	M _z	Σ M*
卧式泵Z向--排出口方向 horizontal pump Z_discharge nozzle	32	430	370	560	810	360	180	260	480
	40	520	430	670	960	430	210	320	570
	50	710	580	890	1280	460	230	350	620
	65	880	740	1120	1610	490	250	400	740
	80	1070	890	1330	1930	520	270	450	820
	100	1420	1160	1780	2560	610	310	530	1050
	125	1970	1620	2460	3540	730	370	630	1330
	150	2490	2050	3110	4480	870	440	760	1670
	200	3780	3110	4890	6920	1330	660	1000	2390
	250	5340	4450	6670	9630	1900	930	1300	3330
300	6670	5340	8000	11700	2300	1130	1550	3980	
350	7120	5780	8900	12780	2450	1220	1650	4320	
卧式泵X向--吸入口方向 horizontal pump X_suction nozzle	32	560	430	370	810	360	180	260	480
	40	670	520	430	960	430	210	320	570
	50	890	710	580	1280	460	230	350	620
	65	1120	880	740	1610	490	250	400	740
	80	1330	1070	890	1930	520	270	450	820
	100	1780	1420	1160	2560	610	310	530	1050
	125	2460	1970	1620	3540	730	370	630	1330
	150	3110	2490	2050	4480	870	440	760	1670
	200	4890	3780	3110	6920	1330	660	1000	2390
	250	6670	5340	4450	9630	1900	930	1300	3330
300	8000	6670	5340	11700	2300	1130	1550	3980	
350	8900	7120	5780	12780	2450	1220	1650	4320	

底座 The base

TPW/TWZ/TWX系列改进型卧式端吸循环泵
TPW/TWZ/TWX series advanced horizontal end suction circulation pump

本公司提供了A/B/C/D四种预制底座，其中A、B、D型为标配，C型为选配。这些刚性底座设计改进了泵性能并降低了维护成本，同时降低了泵和电机的振动，从而延长它们的使用寿命。

通过指定刚性底座设计，泵用户可以获得以下优势：

- 低安装成本
- 可选灌浆孔，增加与灌浆的结合
- 横向和纵向扭转刚度增强
- 改进减震性能
- 可防止运输损坏
- 满足替代设备配置要求的镶件
- 改进泵、电机和机封可靠性，降低其整个生命周期的成本

TQ group provides three prefabricated bases: A/B/C/D, which A and B are standard and C is optional. These rigid base design improve pump performance and reduce maintenance costs, while reducing the vibration of the pump and motor, thus extending their service life.

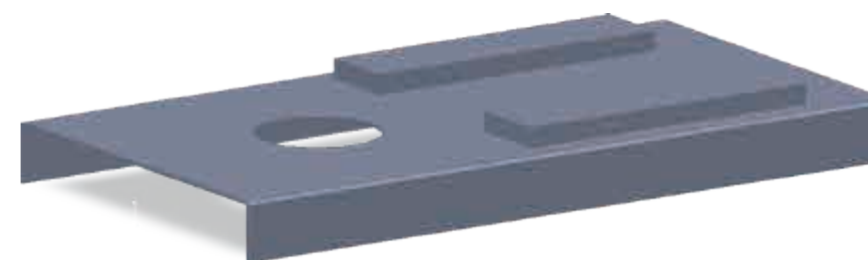
By specifying a rigid base design, the pump user has the following advantages:

- Low installation cost
- Optional grouting holes to increase the binding with the grouting
- Enhanced transverse and longitudinal torsional stiffness
- Improve shock absorption performance
- Prevent transport damage
- Inset that meet the alternative device configuration requirements

A型底座 Type A base

折弯式底座，地基固定，具体又分为A0（机泵中心高一一致）、A1（电机中心高小，电机端加台）、A2（泵中心高小，泵端加台）三种。适用于7.5kW及以下泵组。

Bended base, foundation fixed, specifically divided into A0 (center height of pump and motor is consistent), A1 (center height of motor is small, motor end station), A2 (center height of pump is small, pump terminal station). suitable for pump groups of 7.5kW and below.

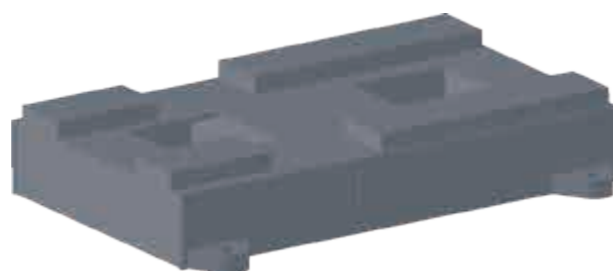


底座类型 Base type	底座宽 Base width B (mm)	钢板厚度 Plate thickness δ (mm)	电机端垫高 Motor pad height H ₄ (mm)	泵端垫高 Pump pad height H ₅ (mm)	适合的泵型 Suitable pump	适合的机座号 Motor beat No.
A0-1	220	6	0	0	DN32 ~50 (2p & 4p)	80M 90S 90S 100L
A1-1			+	/		
A2-1			/	+		
A0-2	250	8	0	0	DN65 ~80 (2p & 4p) DN100 DN125 (4p, n=1480r/min)	80M 90S 90S 100L 112M 132S 132M
A1-2			+	/		
A2-2			/	+		
A0-3	285	10	0	0	DN150 DN200 (6p, n=980r/min)	100L 112M 132S 132M
A1-3			+	/		
A2-3			/	+		

底座 The base

B型底座 Type B base

TPW/TWZ型11kW及以上泵组采用折弯、加固式底座，支脚固定，可加减震垫，具体又分为B0（机泵中心高一致）、B1（电机中心高小，电机端加台）、B2（泵中心高小，泵端加台）三种。

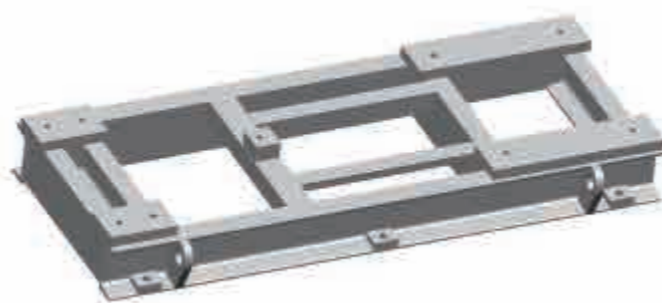


TPW/TWZ type 11kW and above pump unit adopts bending, reinforcement base, foot fixed, can add shock pad, specific is divided into B0 (center height of pump and motor is consistent), B1 (center height of motor is small, motor end station), B2 (center height of pump is small, pump terminal station).

底座类型 Base type	底座宽 Base width B (mm)	钢板厚度 Plate thickness δ (mm)	电机端垫高 Motor pad height H ₄ (mm)	泵端垫高 Pump pad height H ₅ (mm)	适合的泵型 Suitable pump	适合的机座号 Motor beat No.
B0-1	330/335/375	6	0	0	DN32~DN100	160M 160L 180M 180L
B1-1			+	/		
B2-1			/	+		
B0-2	415/440/455/510	8	0	0	DN80~DN300	200L 225S 225M 250M 280S 280M 315S 315M 315L
B1-2	565/570/655/670		+	/		
B2-2			/	+		
B1-3	755	10	230	/	350TPW52-250/4	355M
			200	/	350TPW56-280/4	355L1
			165	/	350TPW60-315/4	355L

C型底座 Type D base

槽钢或H型钢焊接结构底座，支脚固定。适用于11kW及以上TWX泵组。

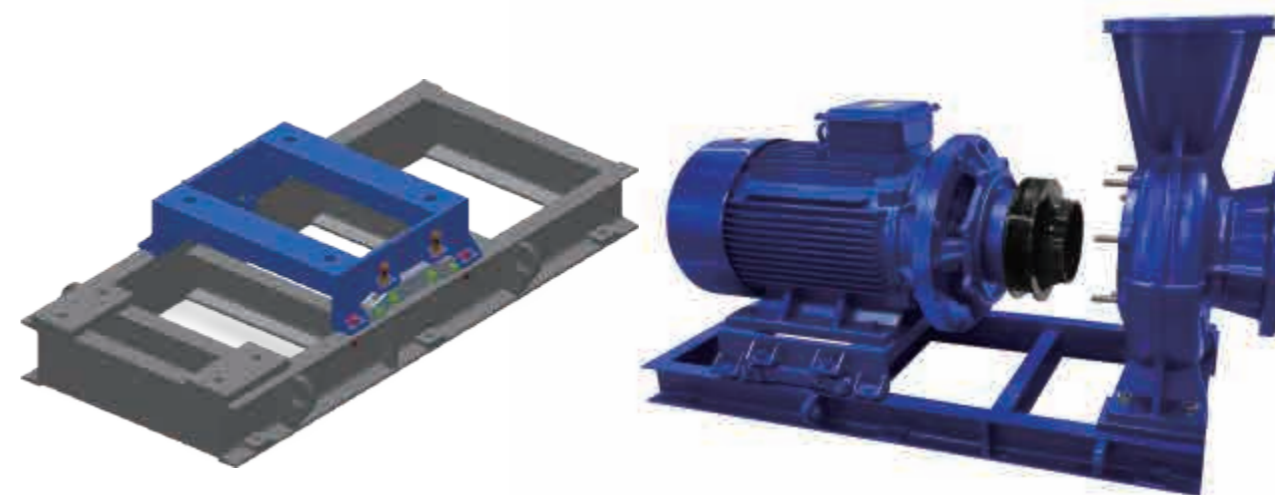


Trough steel or H-shaped steel welded structure base, with fixed foot. Suitable for the TWX pump set of 11kW and above.

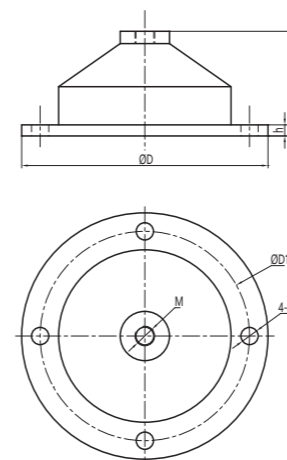
D型底座 Type C base

槽钢或H型钢焊接结构加长式定制底座，支脚固定，45kW及以上TPW/TWZ泵的电机可在底座上滑动。适用于现场无辅助起吊或不便拆卸情况。

Trough steel or H-shaped steel welded structure extended customized base, with fixed foot. The motor (≥ 45 kW TPW/TWZ) can slide on the base. Suitable for the field without auxiliary lifting or not easy to remove.



JSD 型橡胶隔振器安装尺寸 JSD type rubber shock absorber installation size



型号 Type	M	D	D1	H	h	d	重量 Weight (kg)
JSD-30	12	150	120	55	7	12	15~30
JSD-50	12	150	120	55	7	12	30~50
JSD-85	14	200	170	75	7	12	50~85
JSD-120	14	200	170	75	7	12	85~120
JSD-150	16	200	170	85	7	14	110~150
JSD-210	16	200	170	85	7	14	130~210
JSD-330	18	200	170	90	7	16	210~330
JSD-530	18	200	170	90	7	16	330~530
JSD-650	20	200	170	95	7	16	530~650
JSD-850	20	200	170	95	7	16	650~850
JSD-1000	20	200	170	95	7	16	850~1000
JSD-2000	22	300	259	115	10	18	1250~2000
JSD-2500	22	300	259	115	10	18	1800~2500
JSD-3000	22	300	259	115	10	18	2500~3000

性能参数表

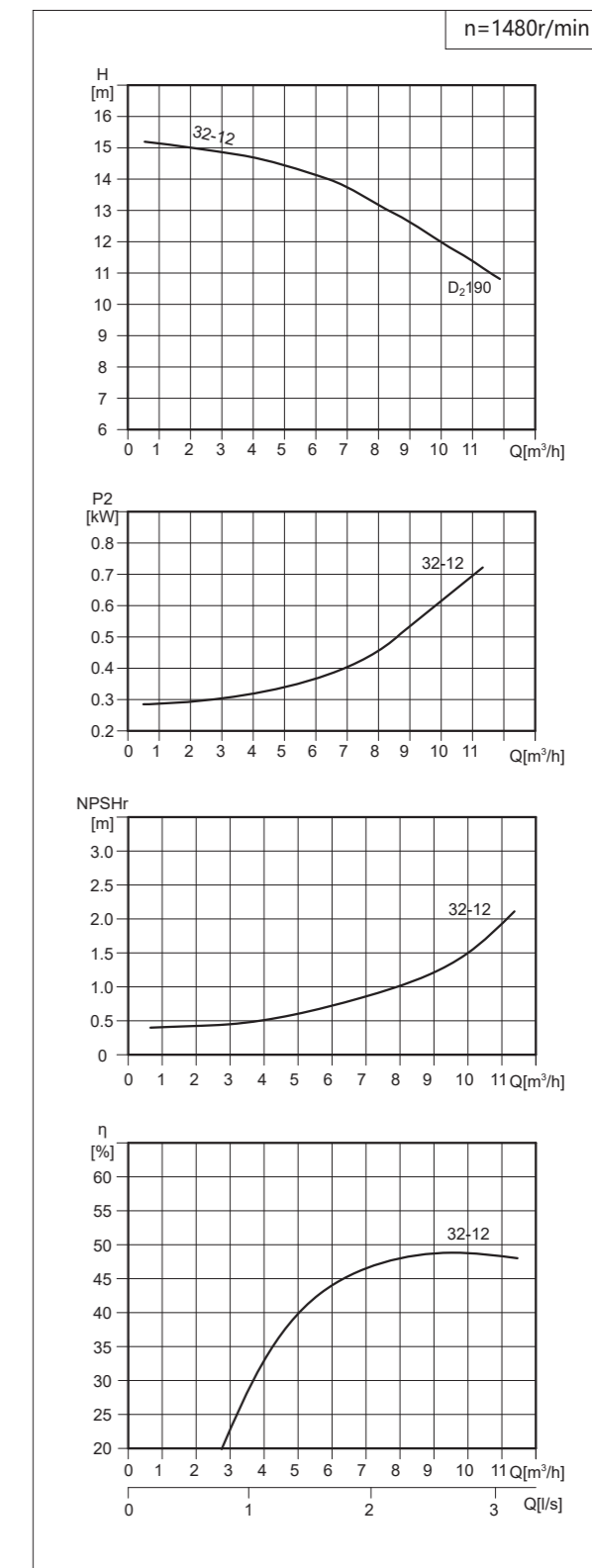
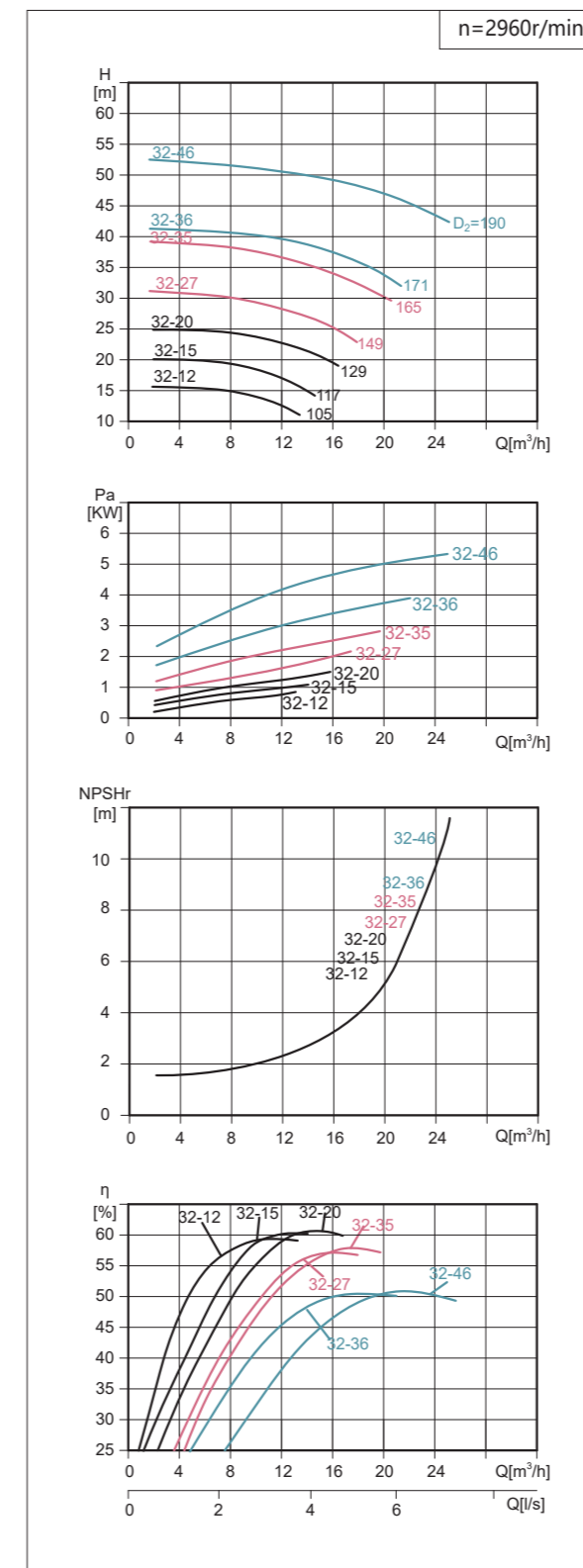
Parameters table

型号 Type	流量 Capacity Q		扬程 Head H (m)	转速 Speed n (r/min)	泵效率 Eff. η (%)	轴功率 Motor Power Pa (kW)	电机功率 Motor Power PM (kW)	汽蚀余量 (NPSH)r (m)	重量 Weight (kg)
	(m ³ /h)	(L/s)							
32TPW12-0.75/2 32TWZ12-0.75/2 32TWX12-0.75/2	7.7	2.1	14.0	2960	57.0	0.515	0.75	1.9	43
	9.4	2.6	13.2		59.5	0.568		2.0	
	11.0	3.1	12.0		59.4	0.606		2.1	
	12.1	3.4	11.5		59.0	0.643		2.3	
32TPW15-1.1/2 32TWZ15-1.1/2 32TWX15-1.1/2	8.4	2.3	17.5	2960	56.2	0.713	1.1	1.9	47
	10.2	2.8	16.6		59.1	0.781		2.1	
	12.0	3.3	15.4		59.5	0.846		2.3	
	13.2	3.7	14.4		58.7	0.882		2.5	
32TPW20-1.5/2 32TWZ20-1.5/2 32TWX20-1.5/2	9.1	2.5	22.3	2960	57.5	0.957	1.5	1.9	51
	11.1	3.1	21.2		60.1	1.067		2.1	
	13.0	3.6	20.0		60.7	1.167		2.3	
	14.3	4.0	18.6		59.8	1.212		2.7	
32TPW27-2.2/2 32TWZ27-2.2/2 32TWX27-2.2/2	9.8	2.7	29.5	2960	53.0	1.486	2.2	2.0	56
	11.9	3.3	28.5		56.7	1.608		2.3	
	14.0	3.9	27.0		57.4	1.795		2.7	
	15.4	4.3	26.0		56.8	1.933		3.2	
32TPW35-3/2 32TWZ35-3/2 32TWX35-3/2	10.5	2.9	37.6	2960	53.1	2.026	3	2.1	65
	12.8	3.6	36.8		56.8	2.260		2.4	
	15.0	4.2	35.0		57.5	2.488		3.2	
	16.5	4.6	34.2		57.0	2.698		3.6	
32TPW36-4/2 32TWZ36-4/2 32TWX36-4/2	11.6	3.2	40.0	2960	39.0	3.212	4	2.4	80
	14.0	3.9	38.0		45.0	3.227		3.2	
	16.5	4.6	36.0		48.0	3.372		4.0	
	18.2	5.0	34.5		48.5	3.518		4.8	
32TPW46-5.5/2 32TWZ46-5.5/2 32TWX46-5.5/2	14.0	3.9	51.0	2960	42.0	4.633	5.5	2.0	92
	17.0	4.7	49.0		45.0	5.044		3.5	
	20.0	5.6	46.0		51.0	4.916		5.7	
	22.0	6.1	44.0		51.0	5.172		6.2	
32TPW12-0.75/4 32TWZ12-0.75/4 32TWX12-0.75/4	7.0	1.9	13.3	1480	46.0	0.552	0.75	0.8	50
	8.5	2.4	12.8		48.0	0.618		1.2	
	10.0	2.8	12.0		49.0	0.667		1.6	
	11.0	3.1	11.5		48.5	0.711		2.0	
	12.0	3.3	10.7		47.5	0.737		2.2	84

性能曲线

Characteristic curves

TPW/TWZ/TWX系列改进型卧式端吸循环泵
TPW/TWZ/TWX series advanced horizontal end suction circulation pump



性能参数表

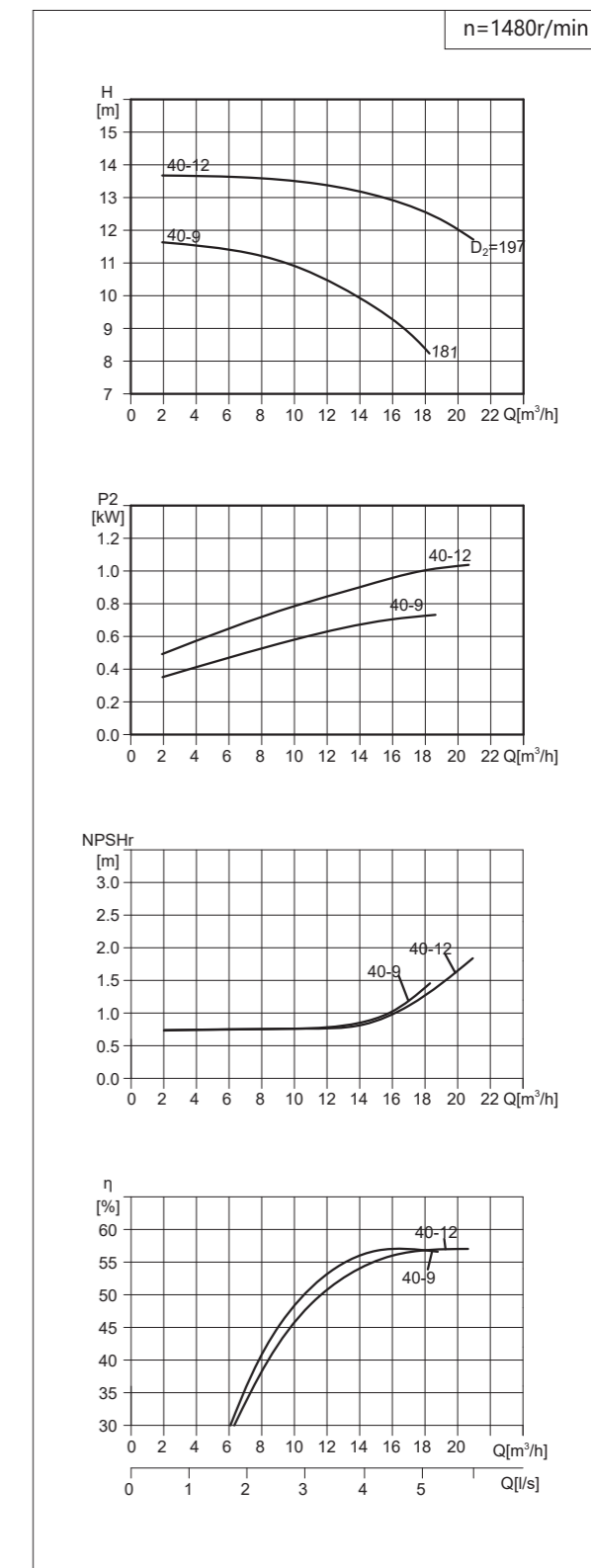
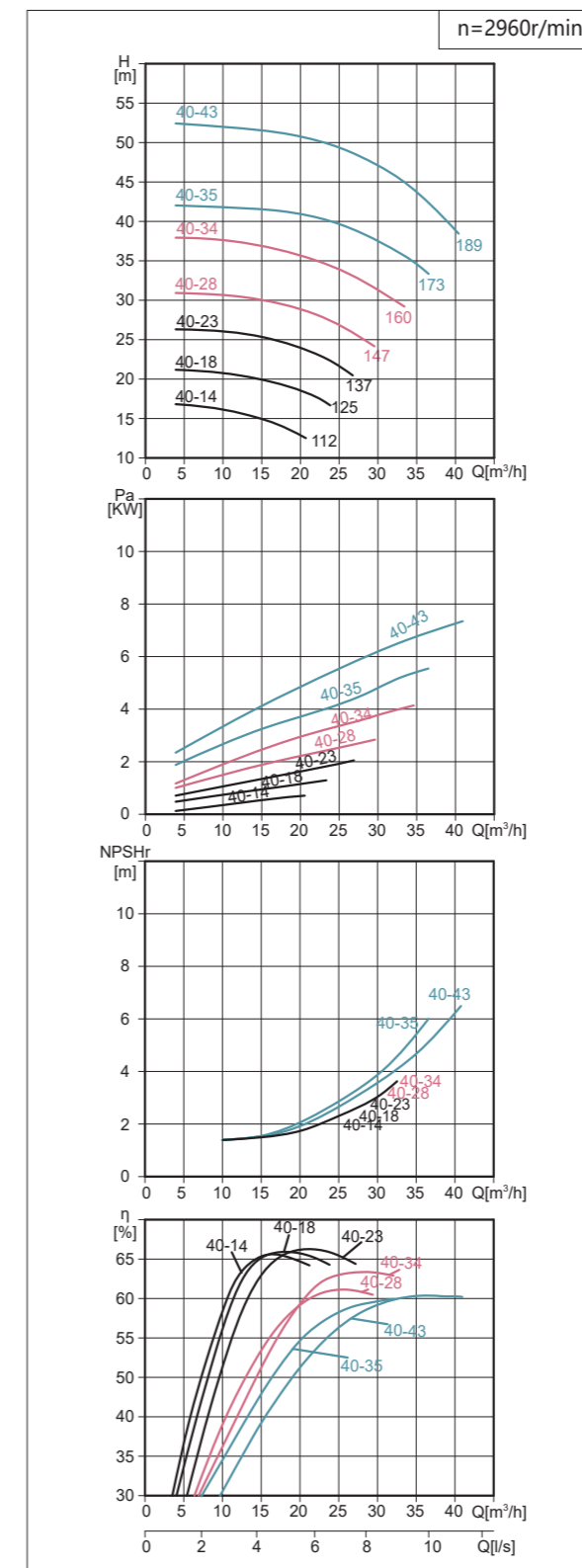
Parameters table

型号 Type	流量 Capacity Q		扬程 Head H (m)	转速 Speed n (r/min)	泵效率 Eff. η (%)	轴功率 Motor Power Pa (kW)	电机功率 Motor Power PM (kW)	汽蚀余量 (NPSH)r (m)	重量 Weight (kg)
	(m³/h)	(L/s)							
40TPW14-1.1/2	11.2	3.1	15.3	2960	61.0	0.771	1.1	1.8	45
40TWZ14-1.1/2	13.6	3.8	14.6		64.0	0.851		1.8	
40TWX14-1.1/2	16.0	4.4	13.9		65.0	0.939		1.8	
40TWX14-1.1/2	17.6	4.9	13.0		64.5	0.974		1.8	
40TPW18-1.5/2	12.6	3.5	19.9	2960	62.7	1.001	1.5	1.9	75
40TWZ18-1.5/2	15.3	4.3	19.2		60.4	1.131		1.8	
40TWX18-1.5/2	17.6	4.9	18.4		65.1	1.230		1.8	
40TWX18-1.5/2	19.8	5.5	17.7		66.2	1.363		1.8	
40TPW23-2.2/2	14.0	3.9	25.4	2960	67.0	1.425	2.2	1.9	82
40TWZ23-2.2/2	17.0	4.7	24.6		62.0	1.563		1.6	
40TWX23-2.2/2	20.0	5.6	23.0		65.0	1.753		1.8	
40TWX23-2.2/2	22.0	6.1	22.3		68.0	1.843		2.0	
40TPW28-3/2	15.4	4.3	31.0	2960	68.0	1.966	3	2.6	62
40TWZ28-3/2	18.7	5.2	30.0		62.0	2.057		2.8	
40TWX28-3/2	22.0	6.1	28.0		61.0	2.752		2.2	
40TWX28-3/2	24.2	6.7	27.2		61.0	2.940		2.7	
40TPW34-4/2	17.2	4.8	35.6	2960	62.0	3.075	4	3.0	110
40TWZ34-4/2	20.8	5.8	35.0		52.8	3.160		1.8	
40TWX34-4/2	24.5	6.8	34.0		57.0	3.480		2.0	
40TWX34-4/2	27.0	7.5	33.0		62.7	3.620		2.8	
40TPW35-5.5/2	21.0	5.8	38.5	2960	62.6	4.070	5.5	3.5	120
40TWZ35-5.5/2	25.5	7.1	36.2		52.8	4.157		2.1	
40TWX35-5.5/2	30.0	8.3	33.5		56.0	4.492		2.8	
40TWX35-5.5/2	33.0	9.2	31.5		59.0	4.642		4.0	
40TPW43-7.5/2	23.5	6.5	48.6	2960	55.0	5.670	7.5	6.0	180
40TWZ43-7.5/2	28.5	7.9	46.0		55.0	5.670		2.7	
40TWX43-7.5/2	33.5	9.3	43.0		58.0	6.288		3.6	
40TWX43-7.5/2	36.9	10.2	40.7		60.0	6.694		5.2	
40TPW9-0.75/4	11.6	3.2	10.3	1480	59.7	6.930	1.1	6.0	139
40TWZ9-0.75/4	14.0	3.9	9.7		58.5	7.490		7.3	
40TWX9-0.75/4	16.5	4.6	9.0		55.0	0.600		0.8	
40TWX9-0.75/4	18.2	5.0	8.3		56.5	0.655		0.8	
40TPW12-1.1/4	12.3	3.4	13.7	1480	57.5	0.704	1.1	1.0	79
40TWZ12-1.1/4	15.0	4.2	13.1		56.7	0.726		1.4	
40TWX12-1.1/4	17.5	4.9	12.4		56.2	0.749		1.6	
40TWX12-1.1/4	19.3	5.3	11.8		55.0	0.828		0.8	
40TWX12-1.1/4	21.0	5.8	11.0		57.0	1.017		0.8	70
						1.072		1.2	84
						1.099		1.5	118
								1.8	

性能曲线

Characteristic curves

TPW/TWZ/TWX系列改进型卧式端吸循环泵
TPW/TWZ/TWX series advanced horizontal end suction circulation pump



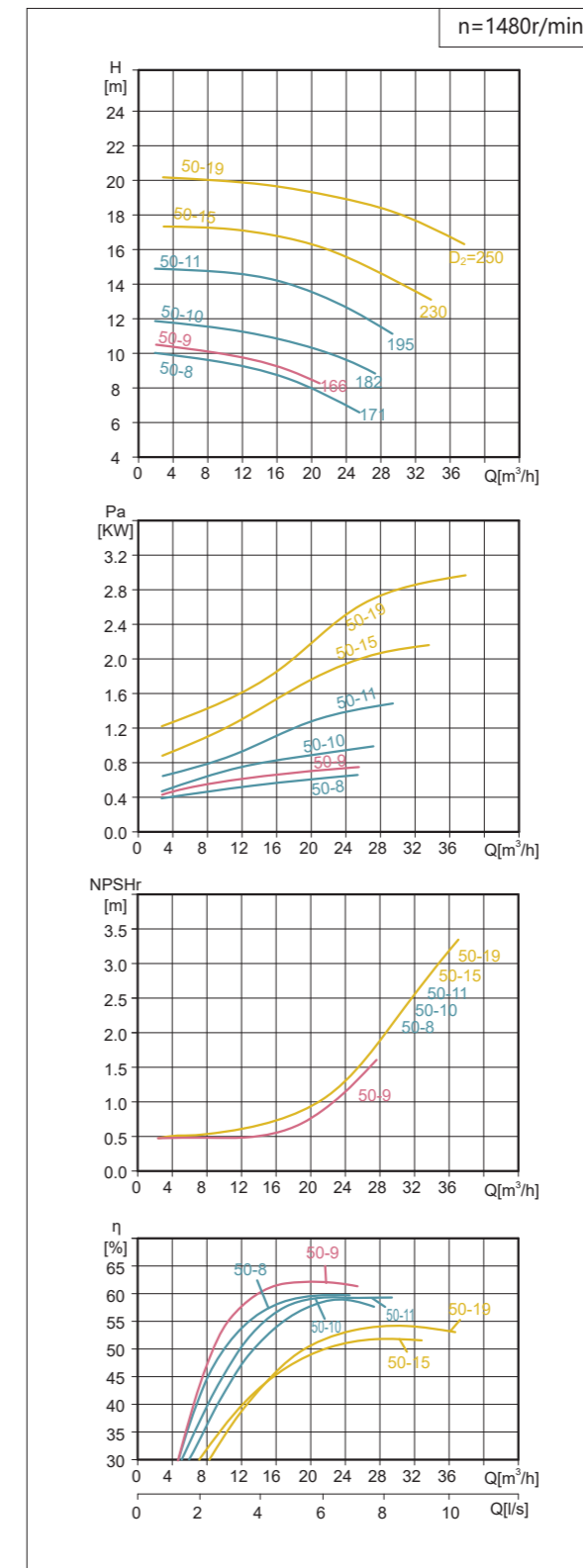
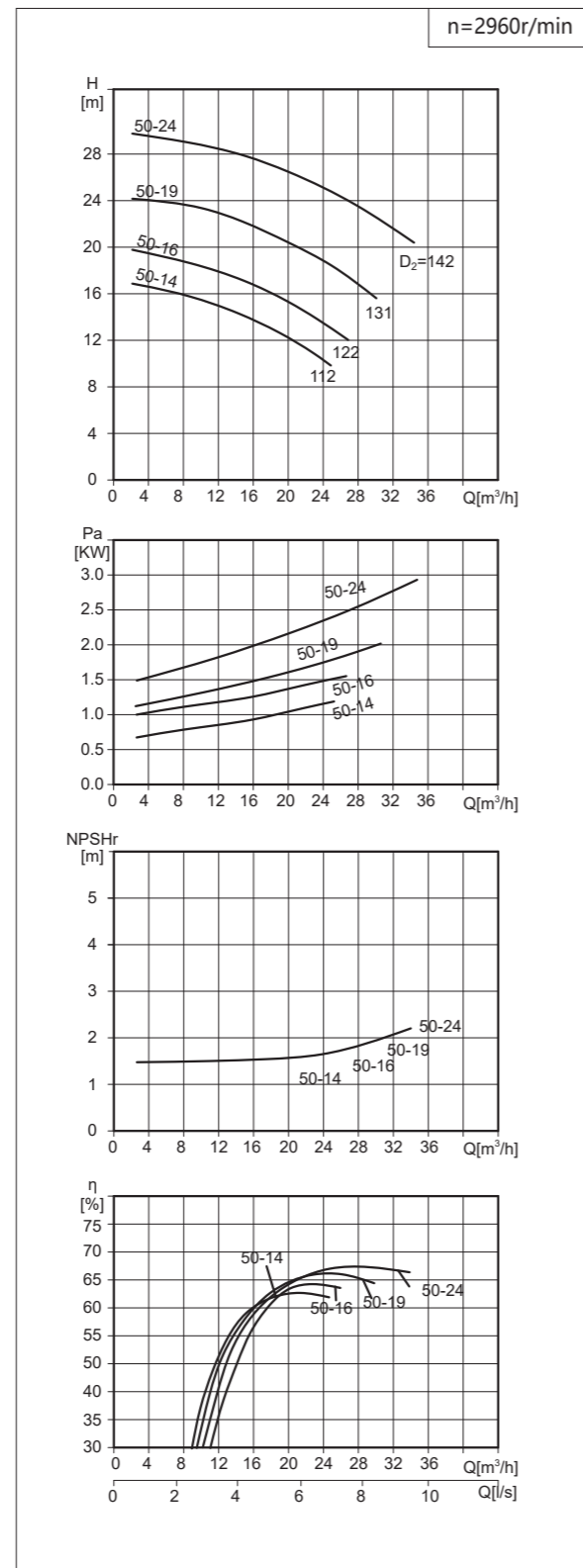
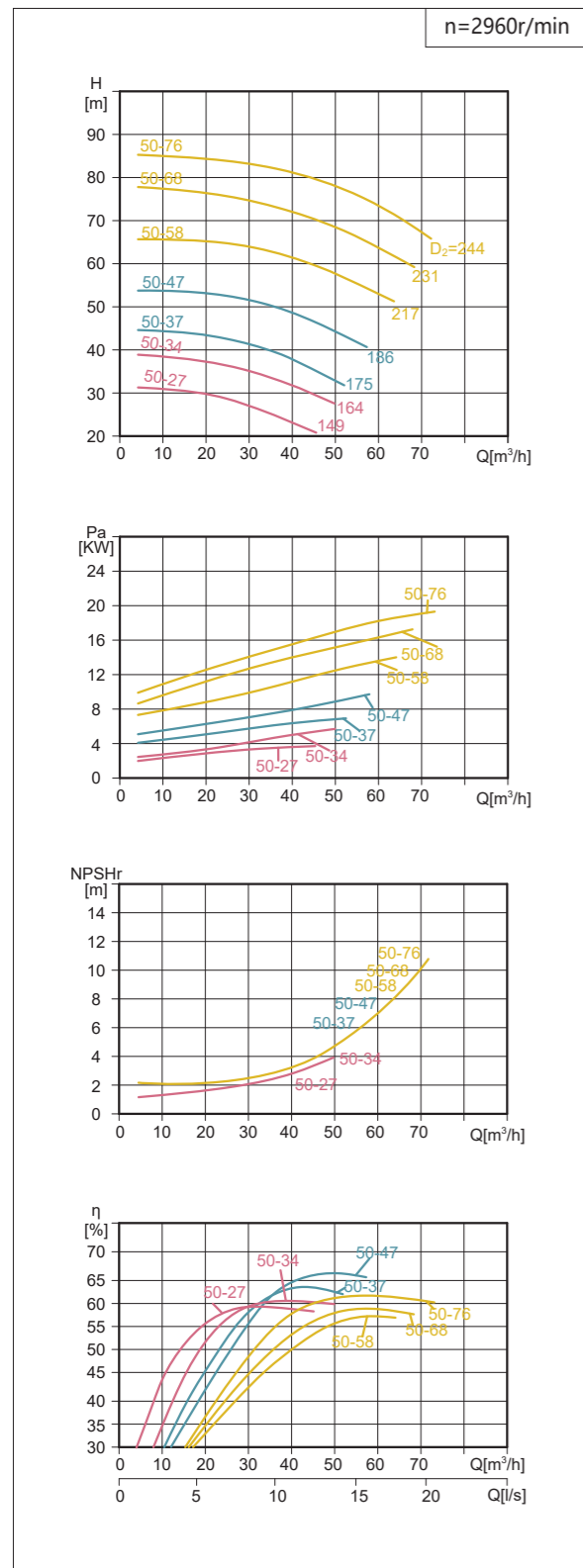
性能参数表

Parameters table

型号 Type	流量 Capacity Q		扬程 Head H (m)	转速 Speed n (r/min)	泵效率 Eff. η (%)	轴功率 Motor Power Pa (kW)	电机功率 Motor Power PM (kW)	汽蚀余量 (NPSH)r (m)	重量 Weight (kg)
	(m³/h)	(L/s)							
50TPW14-1.1/2 50TWZ14-1.1/2 50TWX14-1.1/2	11.9	3.3	15.7	2960	61.2	0.832	1.1	1.5	53
	14.5	4.0	15.1		64.6	0.924		1.5	
	17.0	4.7	14.0		65.4	0.992		1.5	
	18.7	5.2	13.4		63.8	1.070		1.6	
	20.4	5.7	12.6		63.2	1.108		1.7	90
50TPW16-1.5/2 50TWZ16-1.5/2 50TWX16-1.5/2	14.0	3.9	17.6	2960	57.0	1.178	1.5	1.5	54
	17.0	4.7	17.1		62.0	1.278		1.5	
	20.0	5.6	16.3		65.0	1.367		1.6	
	22.0	6.1	15.6		64.5	1.448		1.7	
	24.0	6.7	14.8		64.4	1.499		1.8	92
50TPW19-2.2/2 50TWZ19-2.2/2 50TWX19-2.2/2	16.1	4.5	21.0	2960	59.0	1.588	2.2	1.5	56
	19.6	5.4	20.0		63.0	1.696		1.6	
	23.0	6.4	18.5		66.0	1.757		1.7	
	25.3	7.0	17.2		63.4	1.870		1.8	
	27.6	7.7	16.0		60.3	1.996		1.9	95
50TPW24-3/2 50TWZ24-3/2 50TWX24-3/2	18.9	5.3	26.8	2960	60.0	2.300	3	1.6	67
	23.0	6.4	25.3		64.0	2.478		1.7	
	27.0	7.5	24.0		67.0	2.636		1.9	
	29.7	8.3	22.0		62.0	2.872		2.0	
	32.4	9.0	19.7		58.0	2.999		2.2	115
50TPW27-4/2 50TWZ27-4/2 50TWX27-4/2	21.0	5.8	29.8	2960	61.0	2.796	4	1.7	79
	25.5	7.1	28.5		64.0	3.094		1.8	
	30.0	8.3	27.0		65.0	3.396		2.0	
	33.0	9.2	26.1		64.0	3.667		2.2	
	36.0	10.0	24.9		63.0	3.877		2.4	130
50TPW34-5.5/2 50TWZ34-5.5/2 50TWX34-5.5/2	22.4	6.2	37.4	2960	60.1	3.798	5.5	1.8	94
	27.2	7.6	36.1		64.0	4.181		2.0	
	32.0	8.9	34.0		66.0	4.492		2.3	
	35.2	9.8	32.7		65.0	4.826		2.5	
	38.4	10.7	31.0		63.8	5.048		2.7	160
50TPW37-7.5/2 50TWZ37-7.5/2 50TWX37-7.5/2	28.0	7.8	42.8	2960	55.0	5.938	7.5	2.4	118
	34.0	9.4	41.8		61.0	6.349		2.6	
	40.0	11.1	39.0		64.0	6.642		3.2	
	44.0	12.2	37.2		65.0	6.862		3.8	
	48.0	13.3	33.8		63.0	7.018		4.2	198
50TPW47-11/2 50TWZ47-11/2 50TWX47-11/2	31.5	8.8	53.2	2960	60.0	7.611	11	2.4	151
	38.3	10.6	50.0		63.0	8.283		2.8	
	45.0	12.5	47.0		66.0	8.732		3.7	
	49.5	13.8	44.7		66.5	9.067		4.5	
	54.0	15.0	41.2		65.0	9.327		5.7	248
50TPW58-15/2 50TWZ58-15/2 50TWX58-15/2	35.0	9.7	64.5	2960	53.0	11.607	15	2.6	170
	42.5	11.8	61.0		54.0	13.083		3.2	
	50.0	13.9	58.0		55.0	14.368		4.5	
	55.0	15.3	54.7		56.0	14.640		5.3	
	60.0	16.7	52.3		57.0	15.002		6.6	280

型号 Type	流量 Capacity Q		扬程 Head H (m)	转速 Speed n (r/min)	泵效率 Eff. η (%)	轴功率 Motor Power Pa (kW)	电机功率 Motor Power PM (kW)	汽蚀余量 (NPSH)r (m)	重量 Weight (kg)
	(m³/h)	(L/s)							
50TPW68-18.5/2 50TWZ68-18.5/2 50TWX68-18.5/2	36.4	10.1	75.0	2960	54.0	13.776	18.5	2.7	194
	44.2	12.3	72.0		55.0	15.767		3.3	
	52.0	14.4	68.0		56.0	17.206		5.6	
	57.2	15.9	64.0		57.0	17.501		6.0	
	62.4	17.3	61.0		58.0	17.884		7.0	
50TPW76-22/2 50TWZ76-22/2 50TWX76-22/2	38.5	10.7	83.0	2960	58.0	15.013	22	3.3	230
	46.8	13.0	80.0		60.0	17.004		3.9	
	55.0	15.3	76.0		61.0	18.673		5.7	
	60.5	16.8	73.4		62.0	19.518		6.6	
	66.0	18.3	70.0		61.0	20.639		8.4	375
50TPW9-0.75/4 50TWZ9-0.75/4 50TWX9-0.75/4	11.9	3.3	9.9	1480	58.0	0.554	0.75	0.5	62
	14.5	4.0	9.5		61.5	0.610		0.5	
	17.0	4.7	9.0		63.0	0.662		0.6	
	18.7	5.2	8.7		62.6	0.708		0.7	
	20.4	5.7	8.3		61.7	0.748		0.8	105
50TPW8-0.75/4 50TWZ8-0.75/4 50TWX8-0.75/4	14.0	3.9	8.8	1480	55.0	0.610	0.75	0.5	75
	17.0	4.7	8.5		57.0	0.691		0.6	
	20.0	5.6	7.8		59.0	0.721		0.7	
	22.0	6.1	7.4		59.4	0.747		0.8	
	24.0	6.7	6.7		58.5	0.749		1.2	122
50TPW10-1.1/4 50TWZ10-1.1/4 50TWX10-1.1/4	15.8	4.4	10.1	1480	55.0	0.790	1.1	0.5	83
	19.2	5.3	9.8		59.0	0.893		0.7	
	22.5	6.3	9.3		59.0	0.961		0.8	
	24.8	6.9	8.8		59.4	0.993		1.2	
	27.0	7.5	8.5		58.0	1.078		1.5	135
50TPW11-1.5/4 50TWZ11-1.5/4 50TWX11-1.5/4	17.5	4.9	12.0	1480	57.0	1.004	1.5	0.8	86
	21.3	5.9	11.6		58.4	1.150		1.1	
	25.0	6.9	10.8		59.0	1.247		1.5	
	27.5	7.6	10.1		58.6	1.292		1.9	
	30.0	8.3	9.3		57.2	1.329		2.2	140
50TPW15-2.2/4 50TWZ15-2.2/4 50TWX15-2.2/4	18.2	5.1	17.0	1480	51.0	1.653	2.2	0.8	96
	22.1	6.1	16.0		53.5	1.801		1.2	
	26.0	7.2	15.0		54.0	1.968		1.6	
	28.6	7.9	13.7		53.3	2.003		2.0	
	31.2	8.7	12.4		51.0	2.067		2.5	
50TPW19-3/4 50TWZ19-3/4 50TWX19-3/4	19.3	5.3	20.6	1480	50.3	2.148	3	1.0	105
	23.4	6.5	19.6		52.6	2.376		1.3	
	27.5	7.6	18.5		54.2	2.558		1.9	
	30.3	8.4	17.6		52.8	2.748		2.2	
	33.0	9.2	16.3		51.6	2.841		2.6	

性能曲线 Characteristic curves



性能参数表

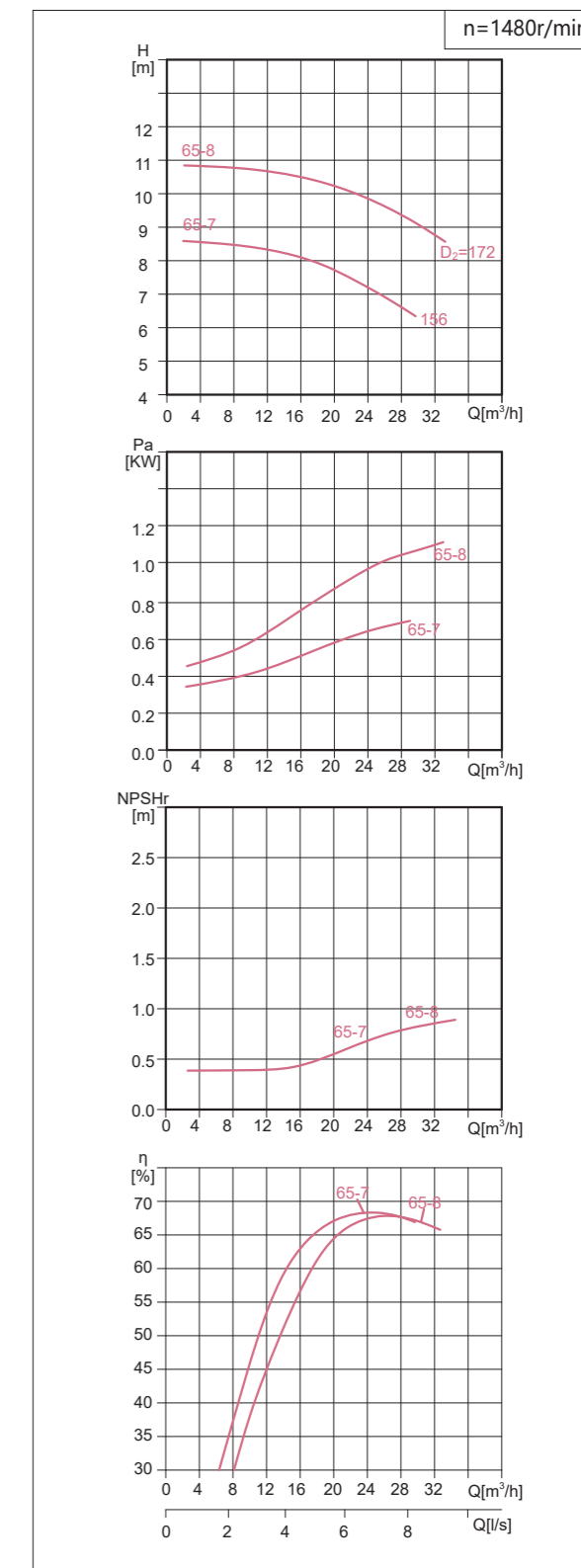
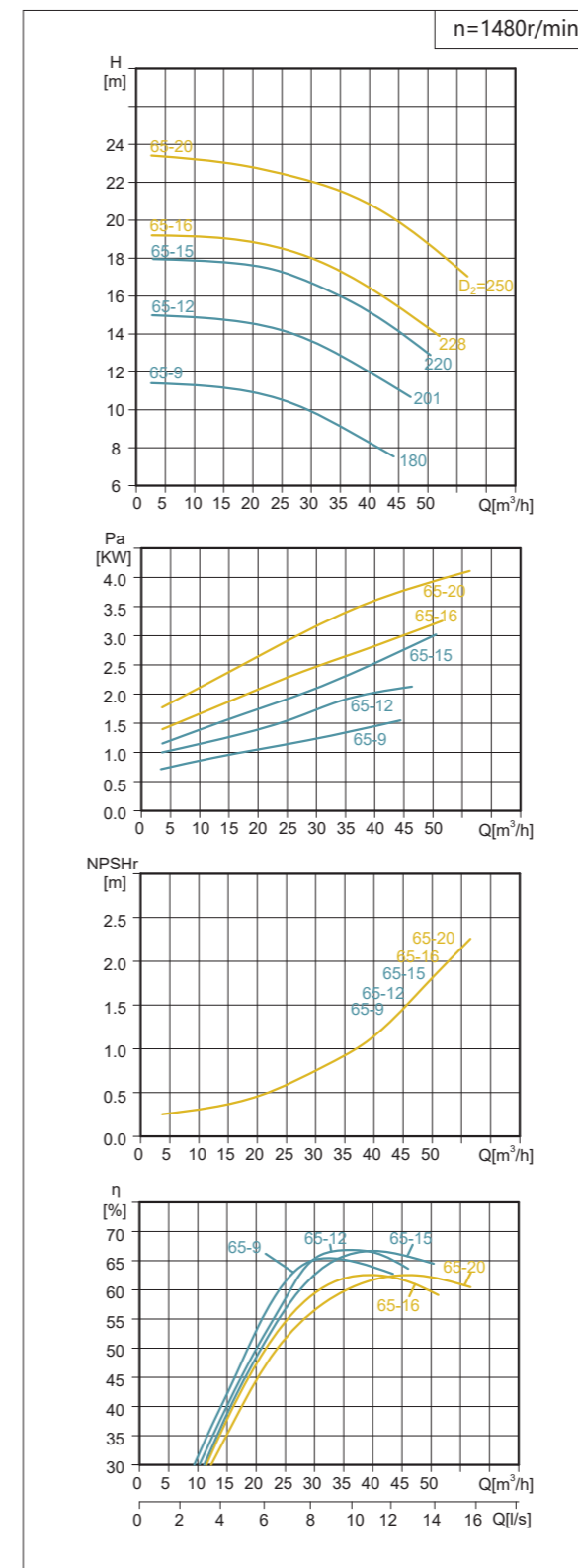
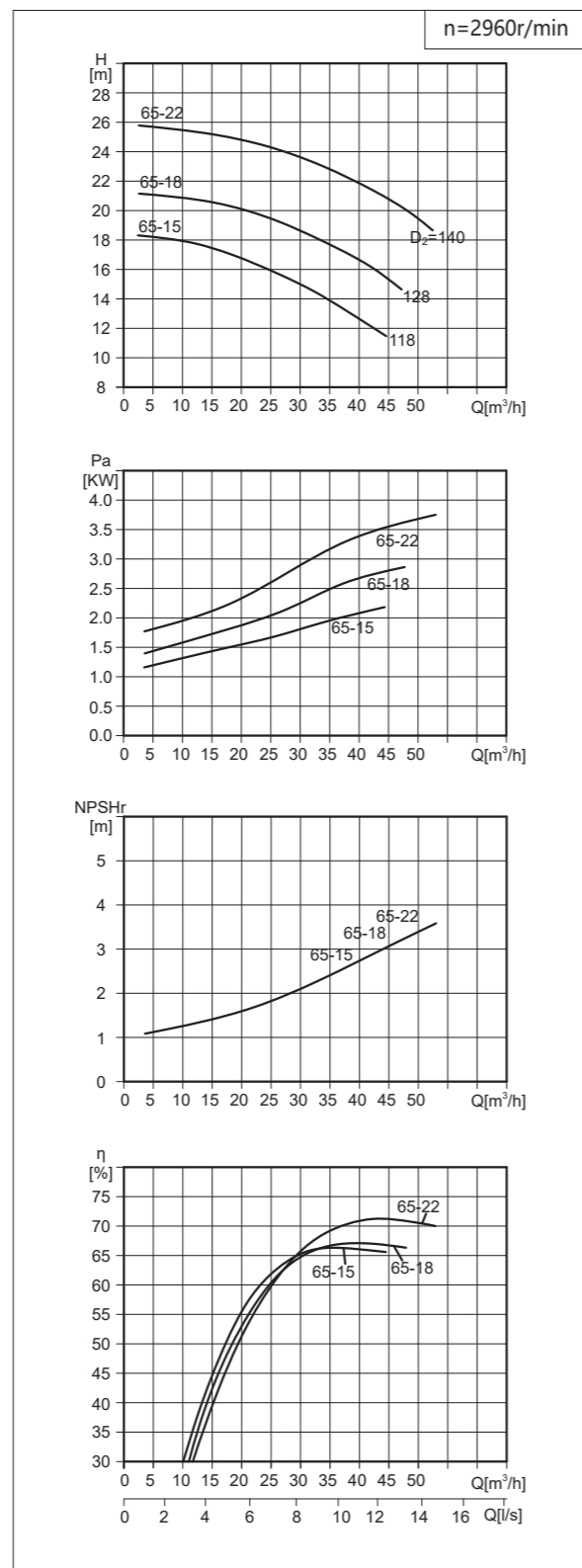
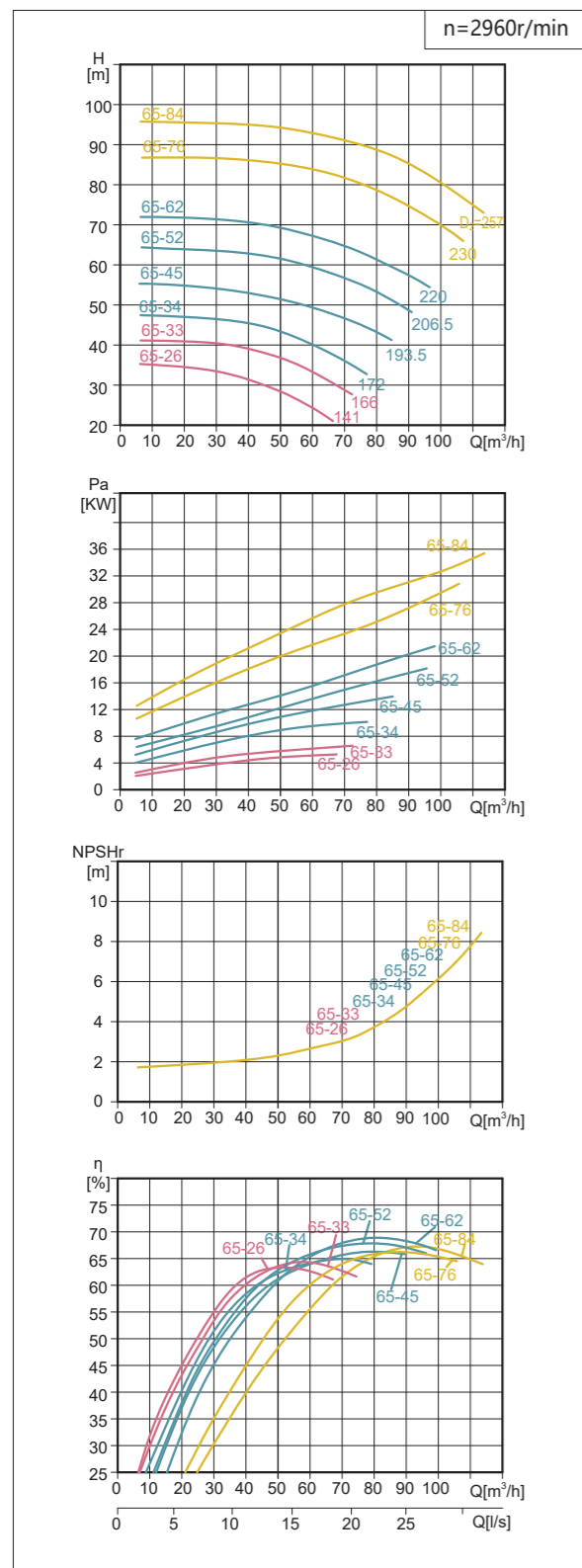
Parameters table

型号 Type	流量 Capacity Q		扬程 Head H (m)	转速 Speed n (r/min)	泵效率 Eff. η (%)	轴功率 Motor Power Pa (kW)	电机功率 Motor Power PM (kW)	汽蚀余量 (NPSH)r (m)	重量 Weight (kg)
	(m³/h)	(L/s)							
65TPW15-2.2/2 65TWZ15-2.2/2 65TWX15-2.2/2	21.0	5.8	15.9	2960	54.0	1.685	2.2	1.5	55
	25.5	7.1	15.3		61.0	1.743		1.8	
	30.0	8.3	14.8		65.3	1.853		2.0	
	33.0	9.2	14.7		65.8	2.009		2.3	
65TPW18-3/2 65TWZ18-3/2 65TWX18-3/2	24.5	6.8	18.9	2960	61.0	2.069	3	1.8	67
	29.8	8.3	18.4		65.0	2.299		2.0	
	35.0	9.7	18.0		68.0	2.525		2.2	
	38.5	10.7	17.6		70.0	2.638		2.5	
65TPW22-4/2 65TWZ22-4/2 65TWX22-4/2	28.0	7.8	23.7	2960	64.0	2.825	4	2.0	74
	34.0	9.4	22.8		70.0	3.018		2.4	
	40.0	11.1	22.0		72.0	3.331		2.8	
	44.0	12.2	21.2		73.0	3.482		3.0	
65TPW26-5.5/2 65TWZ26-5.5/2 65TWX26-5.5/2	31.5	8.8	28.8	2960	57.2	4.322	5.5	2.0	97
	38.3	10.6	27.3		60.0	4.794		2.1	
	45.0	12.5	25.8		63.0	5.022		2.3	
	49.5	13.8	24.3		62.6	5.236		2.8	
65TPW33-7.5/2 65TWZ33-7.5/2 65TWX33-7.5/2	36.4	10.1	36.0	2960	61.2	5.853	7.5	2.0	108
	44.2	12.3	34.7		64.0	6.530		2.2	
	52.0	14.4	33.0		65.3	7.161		2.6	
	57.2	15.9	31.2		65.2	7.459		3.0	
65TPW34-11/2 65TWZ34-11/2 65TWX34-11/2	49.0	13.6	38.8	2960	59.2	8.766	11	2.5	150
	59.5	16.5	36.9		61.1	9.808		2.8	
	70.0	19.4	34.0		61.5	10.546		3.1	
	77.0	21.4	32.2		61.8	10.933		3.5	
65TPW45-15/2 65TWZ45-15/2 65TWX45-15/2	51.1	14.2	50.0	2960	62.0	11.230	15	2.5	159
	62.1	17.2	47.2		65.0	12.278		2.8	
	73.0	20.3	43.5		67.0	12.915		3.4	
	80.3	22.3	40.4		67.0	13.194		3.8	
65TPW52-18.5/2 65TWZ52-18.5/2 65TWX52-18.5/2	53.2	14.8	58.0	2960	65.0	12.936	18.5	2.6	177
	64.6	17.9	55.5		68.0	14.368		3.0	
	76.0	21.1	52.0		68.0	15.837		3.6	
	83.6	23.2	47.5		67.6	16.007		4.5	
65TPW62-22/2 65TWZ62-22/2 65TWX62-22/2	56.0	15.6	67.0	2960	64.0	15.975	22	2.6	218
	68.0	18.9	65.0		68.6	17.558		3.0	
	80.0	22.2	62.0		69.0	19.588		3.6	
	88.0	24.4	58.5		68.0	20.630		4.5	
	96.0	26.7	54.0		67.0	21.084		5.7	328

型号 Type	流量 Capacity Q		扬程 Head H (m)	转速 Speed n (r/min)	泵效率 Eff. η (%)	轴功率 Motor Power Pa (kW)	电机功率 Motor Power PM (kW)	汽蚀余量 (NPSH)r (m)	重量 Weight (kg)
	(m³/h)	(L/s)							
65TPW76-30/2 65TWZ76-30/2 65TWX76-30/2	59.5	16.5	85.8	2960	60.0	23.186	30	2.8	275
	72.3	20.1	82.0		63.5	25.442		3.3	
	85.0	23.6	78.2		65.5	27.654		4.1	
	93.5	26.0	74.2		65.6	28.819		5.1	
65TPW84-37/2 65TWZ84-37/2 65TWX84-37/2	102.0	28.3	69.0	2960	64.0	29.966	37	6.1	395
	63.0	17.5	93.0		59.0	27.061		2.9	
	76.5	21.3	90.0		63.0	29.780		3.5	
	90.0	25.0	84.0		66.0	31.214		4.6	
65TPW7-0.75/4 65TWZ7-0.75/4 65TWX7-0.75/4	99.0	27.5	81.0	1480	66.5	32.860	0.75	5.9	68
	108.0	30.0	76.0		65.0	34.410		7.5	
	17.5	4.9	7.5		59.7	0.599		0.5	
	21.3	5.9	7.3		62.0	0.682		0.6	
65TPW8-1.1/4 65TWZ8-1.1/4 65TWX8-1.1/4	25.0	6.9	6.8	1480	64.5	0.718	1.1	0.7	60
	27.5	7.6	6.4		64.5	0.744		0.8	
	30.0	8.3	5.9		64.3	0.750		0.8	
	18.9	5.3	9.3		59.0	0.813		0.5	
65TPW9-1.5/4 65TWZ9-1.5/4 65TWX9-1.5/4	23.0	6.4	8.9	1480	63.0	0.883	1.5	0.6	78
	27.0	7.5	8.5		65.0	0.962		0.7	
	29.7	8.3	8.0		64.5	1.004		0.8	
	32.4	9.0	7.6		64.3	1.044		0.9	
65TPW12-2.2/4 65TWZ12-2.2/4 65TWX12-2.2/4	26.3	7.3	10.3	1480	60.0	1.228	2.2	0.6	65
	31.9	8.9	9.7		62.4	1.351		0.8	
	36.0	10.0	9.0		64.0	1.380		1.1	
	39.6	11.0	8.6		63.0	1.473		1.1	
65TPW15-3/4 65TWZ15-3/4 65TWX15-3/4	43.2	12.0	7.9	1480	62.2	1.495	3	1.5	105
	28.0	7.8	14.0		65.0	1.643		0.7	
	34.0	9.4	13.0		67.0	1.798		0.9	
	40.0	11.1	12.0		66.0	1.982		1.2	
65TPW16-3/4 65TWZ16-3/4 65TWX16-3/4	44.0	12.2	11.5	1480	64.0	2.154	3	1.4	110
	48.0	13.3	10.3		62.0	2.173		1.7	
	29.4	8.2	16.3		63.0	2.073		0.7	
	35.7	9.9	15.8		66.0	2.329		0.9	
65TPW20-4/4 65TWZ20-4/4 65TWX20-4/4	46.2	12.8	14.1	1480	64.0	2.774	4	1.4	124
	50.4	14.0	13.0		62.0	2.880		1.7	
	29.8	8.3	17.7		64.0	2.246		0.8	
	36.2	10.0	17.3		67.0	2.547		1.0	
65TPW22-4/4 65TWZ22-4/4 65TWX22-4/4	42.5	11.8	16.0	1480	68.1	2.721	3	1.1	158
	46.8	13.0	15.3		67.8	2.878		1.6	
	51.0	14.2	14.0		66.5	2.968		1.9	
	30.8	8.6	21.9		64.5	2.850		0.6	
65TPW24-4/4 65TWZ24-4/4 65TWX24-4/4	37.4	10.4	21.0	1480	67.4	3.175	4	1.1	149
	44.0	12.2	20.0		68.5	3.501		1.5	
	48.4	13.4	19.2		68.2	3.713		1.8	
	52.8	14.7	18.2		66.9	3.914		2.0	

性能曲线

Characteristic curves



性能参数表

Parameters table

型号 Type	流量 Capacity Q		扬程 Head H (m)	转速 Speed n (r/min)	泵效率 Eff. η (%)	轴功率 Motor Power Pa (kW)	电机功率 Motor Power PM (kW)	汽蚀余量 (NPSH)r (m)	重量 Weight (kg)		
	(m³/h)	(L/s)									
80TPW15-3/2	35.0	9.7	17.3	2960	72.0	2.292	3	3.1	64		
	42.5	11.8	16.6		76.5	2.513		3.4			
80TWZ15-3/2	50.0	13.9	15.5		79.5	2.656		3.7	77		
80TWX15-3/2	55.0	15.3	14.5		79.6	2.730		3.8	110		
	60.0	16.7	13.6		79.0	2.815		4.0			
80TPW19-4/2	37.8	10.5	20.3		2960	73.0		2.864	4	3.2	81
	45.9	12.8	19.8			77.0		3.216		3.5	
80TWZ19-4/2	54.0	15.0	18.9			79.8		3.485		3.8	97
80TWX19-4/2	59.4	16.5	17.9			80.0		3.622		4.0	129
	64.8	18.0	16.5			77.5		3.759		4.1	
80TPW21-5.5/2	46.2	12.8	24.0	2960		77.5	3.899	5.5		3.5	99
	56.1	15.6	22.8			80.0	4.357			3.9	
80TWZ21-5.5/2	66.0	18.3	21.0			81.0	4.663			4.2	119
80TWX21-5.5/2	72.6	20.2	19.3			78.8	4.845			4.7	150
	79.2	22.0	17.7			75.4	5.066			5.2	
80TPW20-7.5/2	64.4	17.9	24.0		2960	70.0	6.017		7.5	3.5	115
	78.2	21.7	22.0			71.0	6.603			3.5	
80TWZ20-7.5/2	92.0	25.6	20.0			72.0	6.964			4.4	138
80TWX20-7.5/2	101.2	28.1	17.6			69.0	7.034			4.8	189
	110.4	30.7	15.5			65.0	7.174			5.5	
80TPW27-11/2	70.0	19.4	31.8	2960		70.5	8.604	11		3.3	152
	85.0	23.6	29.7			73.5	9.360			4.0	
80TWZ27-11/2	100.0	27.8	27.0			75.0	9.810			4.8	182
80TWX27-11/2	110.0	30.6	24.8			74.0	10.046			5.5	232
	120.0	33.3	22.3			69.5	10.492			6.6	
80TPW33-15/2	77.0	21.4	37.0		2960	71.5	10.858		15	3.5	161
	93.5	26.0	35.0			74.5	11.970			4.4	
80TWZ33-15/2	110.0	30.6	33.0			76.0	13.015			5.5	193
80TWX33-15/2	121.0	33.6	30.0			74.0	13.367			6.6	242
	132.0	36.7	28.6			73.5	13.996			8.0	
80TPW37-18.5/2	80.5	22.4	41.5	2960		62.8	14.496	18.5		4.1	203
	92.0	25.6	39.3			66.5	14.816			4.3	
80TWZ37-18.5/2	115.0	31.9	35.0			66.0	16.618			5.9	233
80TWX37-18.5/2	126.5	35.1	33.0			64.6	17.609			6.2	289
	138.0	38.3	28.4			60.0	17.800			7.5	
80TPW42-22/2	84.0	23.3	47.8		2960	62	17.647		22	4.2	230
	102.0	28.3	45.0			66	18.951			4.5	
80TWZ42-22/2	120.0	33.3	42.0			70	19.620			6.1	265
80TWX42-22/2	132.0	36.7	40.0			68	21.159			7.4	325
	144.0	40.0	36.0			65	21.733			7.9	
80TPW57-30/2	87.5	24.3	60.8	2960		65.5	22.133	30		4.2	275
	106.3	29.5	58.4			68.0	24.877			4.7	
80TWZ57-30/2	125.0	34.7	57.0			72.0	26.966			6.2	316
80TWX57-30/2	137.5	38.2	53.3			71.0	28.128			7.5	382
	150.0	41.7	48.0			67.0	29.284			9.2	
80TPW62-37/2	91.0	25.3	66.2		2960	70.0	23.451		37	4.3	298
	110.5	30.7	64.3			74.0	26.164			5.7	
80TWZ62-37/2	130.0	36.1	62.0			75.0	29.285			7.4	343
80TWX62-37/2	143.0	39.7	58.6			74.0	30.858			7.9	407
	156.0	43.3	52.3			70.0	31.761			9.6	

型号 Type	流量 Capacity Q		扬程 Head H (m)	转速 Speed n (r/min)	泵效率 Eff. η (%)	轴功率 Motor Power Pa (kW)	电机功率 Motor Power PM (kW)	汽蚀余量 (NPSH)r (m)	重量 Weight (kg)		
	(m³/h)	(L/s)									
80TPW71-30/2	70.0	19.4	76.5	2960	63.9	22.863	30	2.6	295		
	85.0	23.6	74.3		68.0	23.163		3.3			
80TWZ71-30/2	100.0	27.8	71.0		71.0	27.250		3.7	339		
80TWX71-30/2	110.0	30.6	68.5		71.3	28.789		4.2	404		
	120.0	33.3	65.4		70.5	30.334		4.9			
80TPW79-37/2	73.5	20.4	83.7		2960	64.2		26.112	37	2.6	320
	89.3	24.8	81.8			68.3		29.144		3.5	
80TWZ79-37/2	105.0	29.2	79.0			71.2		31.747		4.2	368
80TWX79-37/2	115.5	32.1	76.9			70.8		34.185		4.9	431
	126.0	35.0	73.6			69.7		36.256		5.8	
80TPW80-45/2	88	24.4	87	2960		59.0	35.360	45		5.4	368
	106	29.4	84			62.0	39.135			6.5	
80TWZ80-45/2	125	34.7	79			65.0	41.399			7.2	423
80TWX80-45/2	138	38.3	74			63.8	43.617			7.8	541
	150	41.7	67			62.0	44.171			8.3	
80TPW91-55/2	92	25.6	99		2960	59.0	42.067		55	6.4	512
	112	31.1	96			62.5	46.879			6.8	
80TWZ91-55/2	132	36.7	91			65.6	49.897			7.7	589
80TWX91-55/2	145	40.3	86			64.3	52.847			8.1	700
	158	43.9	77			62.2	53.300			8.5	
80TPW112-75/2	101	28.0	119	2960		62.0	52.721	75		6.4	600
	122	33.9	117			65.5	59.384			7.2	
80TWZ112-75/2	144	40.0	112			67.6	65.013			8.1	690
80TWX112-75/2	158	43.9	109			66.3	70.784			8.5	805
	173	48.0	103			65.2	74.387			9.5	
80TPW127-90/2	109	30.3	134		2960	62.0	64.196		90	6.5	649
	133	36.9	132			65.5	73.038			7.7	
80TWZ127-90/2	156	43.3	127			68.6	78.699			8.5	746
80TWX127-90/2	172	47.8	124			67.3	86.358			9.5	859
	187	51.9	118			66.6	90.285			10.6	
80TPW5-0.75/4	24.5	6.8	5.5	1480		69.0	0.561	0.75		1.1	70
	29.8	8.3	5.4			72.5	0.616			1.1	
80TWZ5-0.75/4	35.0	9.7	5.3			73.6	0.648			1.1	84
80TWX5-0.75/4	38.5	10.7	5.0			71.3	0.677			1.1	115
	42.0	11.7	4.6			68.5	0.702			1.2	
80TPW6-1.1/4	31.5	8.8	7.0		1480	65.0	0.924		1.1	0.8	70
	38.3	10.6	6.5			68.0	0.998			0.9	
80TWZ6-1.1/4	45.0	12.5	6.0			70.0	1.051			1.2	84
80TWX6-1.1/4	49.5	13.8	5.5			68.5	1.083			1.3	128
	54.0	15.0	5.0			67.5	1.090			1.6	
80TPW7-1.5/4	35.0	9.7	8.2	1480		66	1.185	1.5		0.8	78
	42.5	11.8	7.7			69	1.292			0.9	
80TWZ7-1.5/4	50.0	13.9	7.0			71	1.343			1.2	94
80TWX7-1.5/4	55.0	15.3	6.5			69	1.412			1.3	137
	60.0	16.7	5.9			67	1.440			1.6	
80TPW8-2.2/4	38.5	10.7	9.5		1480	67.0	1.488		2.2	0.8	85
	46.8	13.0	9.0			70.0	1.638			1.1	
80TWZ8-2.2/4	55.0	15.3	8.5			73.0	1.745			1.3	102
80TWX8-2.2/4	60.5	16.8	7.7			71.0	1.788			1.6	146
	66.0	18.3	7.4			69.0	1.929			1.8	

性能参数表

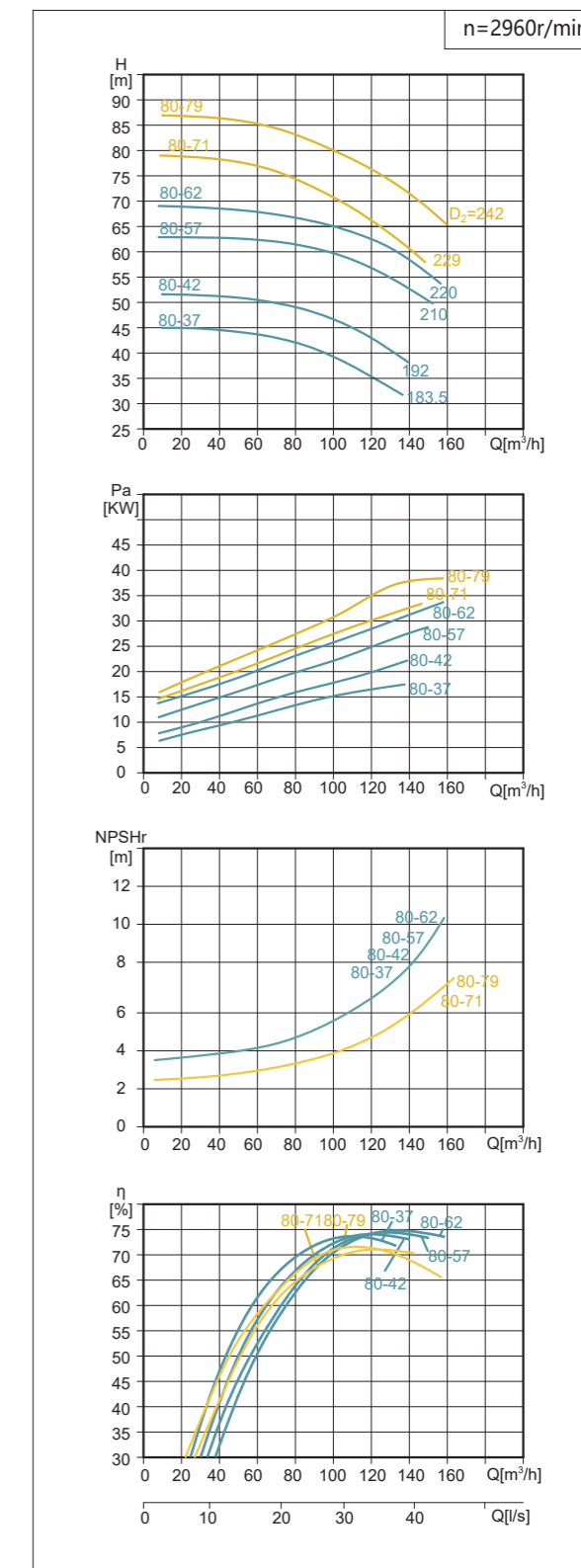
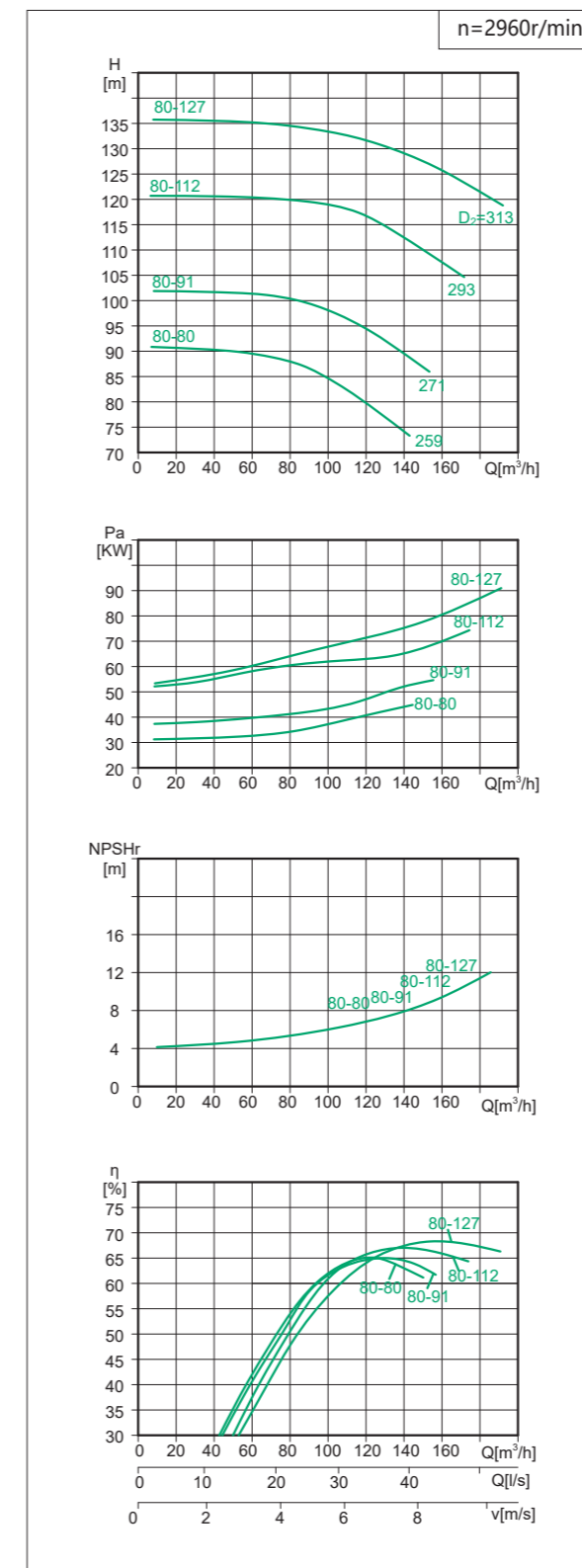
Parameters table

型号 Type	流量 Capacity Q		扬程 Head H (m)	转速 Speed n (r/min)	泵效率 Eff. η (%)	轴功率 Motor Power Pa (kW)	电机功率 Motor Power PM (kW)	汽蚀余量 (NPSH)r (m)	重量 Weight (kg)
	(m ³ /h)	(L/s)							
80TPW9-2.2/4	40.3	11.2	10.5	1480	66.5	1.718	2.2	0.9	96
	46.0	12.8	9.8		71.3	1.723		1.2	
	57.5	16.0	9.0		72.0	1.959		1.5	
80TWZ9-2.2/4	63.3	17.6	8.5	1480	70.6	2.077	2.2	1.8	158
	69.0	19.2	7.5		67.0	2.105		2.2	
80TPW11-3/4	42.0	11.7	12.4	1480	68.0	2.087	3	1.0	107
	51.0	14.2	11.8		72.6	2.259		1.3	
	60.0	16.7	11.0		72.9	2.467		1.6	
	66.0	18.3	10.5		71.6	2.673		2.0	
80TWZ11-3/4	72.0	20.0	9.5	1480	38.0	2.741	4	2.5	170
	74.4	20.7	13.0		68.3	3.859		2.5	
80TPW15-4/4	43.4	12.1	15.8	1480	68.0	2.740	4	1.0	125
	52.7	14.6	15.4		72.6	3.046		1.3	
	62.0	17.2	15.0		73.0	3.472		1.6	
80TWZ15-4/4	68.2	18.9	14.3	1480	71.8	3.701	4	2.1	189
	74.4	20.7	13.0		68.3	3.859		2.5	
80TPW14-3/4	35.0	9.7	15.2	1480	63.0	2.301	3	1.6	127
	42.5	11.8	14.6		67.5	2.505		1.7	
	50.0	13.9	14.0		69.0	2.764		1.8	
	55.0	15.3	13.4		69.5	2.890		1.8	
80TWZ14-3/4	60.0	16.7	12.9	1480	70.0	3.013	3	2.0	152
	60.0	16.7	12.9		70.0	3.013		2.0	
	60.0	16.7	12.9		70.0	3.013		2.0	
80TPW17-4/4	38.5	10.7	17.9	1480	63.0	2.985	4	1.6	145
	47.0	13.1	17.3		68.0	3.249		1.7	
	55.0	15.3	16.8		69.5	3.612		1.8	
	60.5	16.8	16.0		70.1	3.751		1.9	
80TWZ17-4/4	66.0	18.3	15.3	1480	70.8	3.887	4	2.1	219
	66.0	18.3	15.3		70.8	3.887		2.1	
	66.0	18.3	15.3		70.8	3.887		2.1	
80TPW21-5.5/4	42.0	11.7	23.0	1480	66.6	3.952	5.5	1.7	197
	51.0	14.2	22.0		69.6	4.393		1.8	
	60.0	16.7	21.0		71.0	4.836		2.1	
	66.0	18.3	20.0		69.7	5.161		2.3	
80TWZ21-5.5/4	72.0	20.0	19.0	1480	69.2	5.387	5.5	2.7	278
	72.0	20.0	19.0		69.2	5.387		2.7	
	72.0	20.0	19.0		69.2	5.387		2.7	
80TPW18-5.5/4	45.5	12.6	20.2	1480	60.0	4.174	5.5	3.0	217
	55.3	15.4	19.2		63.4	4.564		3.9	
	65.0	18.1	18.1		65.0	4.932		4.5	
	71.5	19.9	17.2		64.5	5.196		5.2	
80TWZ18-5.5/4	78.0	21.7	15.8	1480	62.8	5.348	5.5	6.0	350
	78.0	21.7	15.8		62.8	5.348		6.0	
	78.0	21.7	15.8		62.8	5.348		6.0	
80TPW23-7.5/4	50.4	14.0	25.5	1480	59.0	5.936	7.5	3.2	230
	61.0	16.9	24.2		63.0	6.385		4.1	
	72.0	20.0	23.0		65.2	6.921		4.7	
	79.0	21.9	22.0		64.7	7.320		5.4	
80TWZ23-7.5/4	86.4	24.0	20.4	1480	64.0	7.505	7.5	6.2	365
	86.4	24.0	20.4		64.0	7.505		6.2	
	86.4	24.0	20.4		64.0	7.505		6.2	
80TPW30-11/4	54.5	15.1	32.6	1480	58.8	8.234	11	3.5	270
	66.5	18.5	31.5		62.7	9.104		4.3	
	78.0	21.7	30.0		65.3	9.765		5.0	
	86.0	23.9	29.0		65.0	10.456		5.7	
80TWZ30-11/4	93.5	26.0	27.7	1480	64.8	10.891	11	6.5	410
	93.5	26.0	27.7		64.8	10.891		6.5	

性能曲线

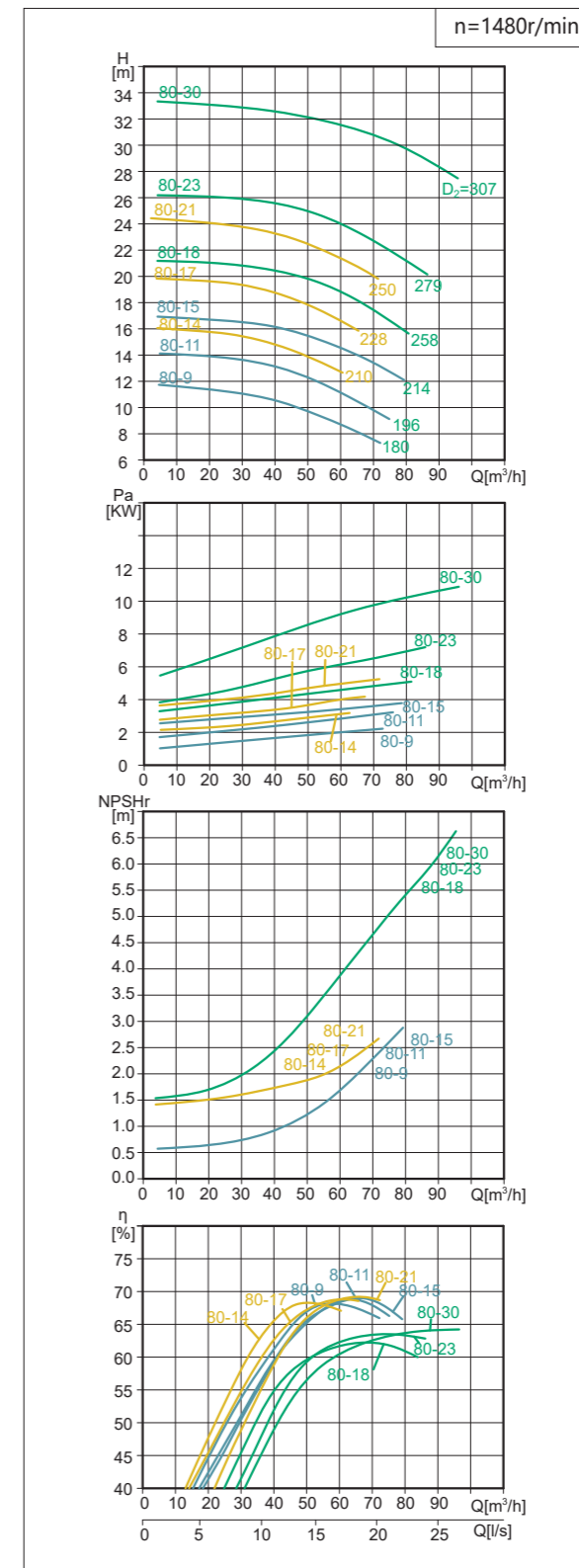
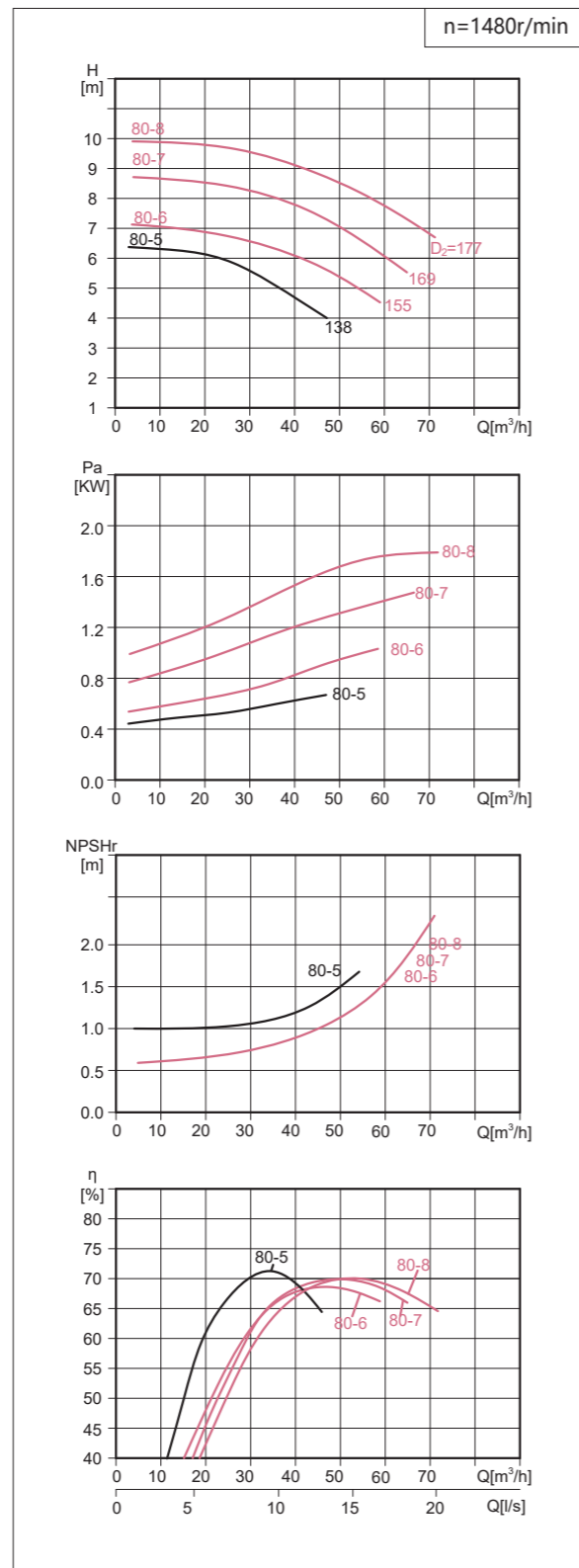
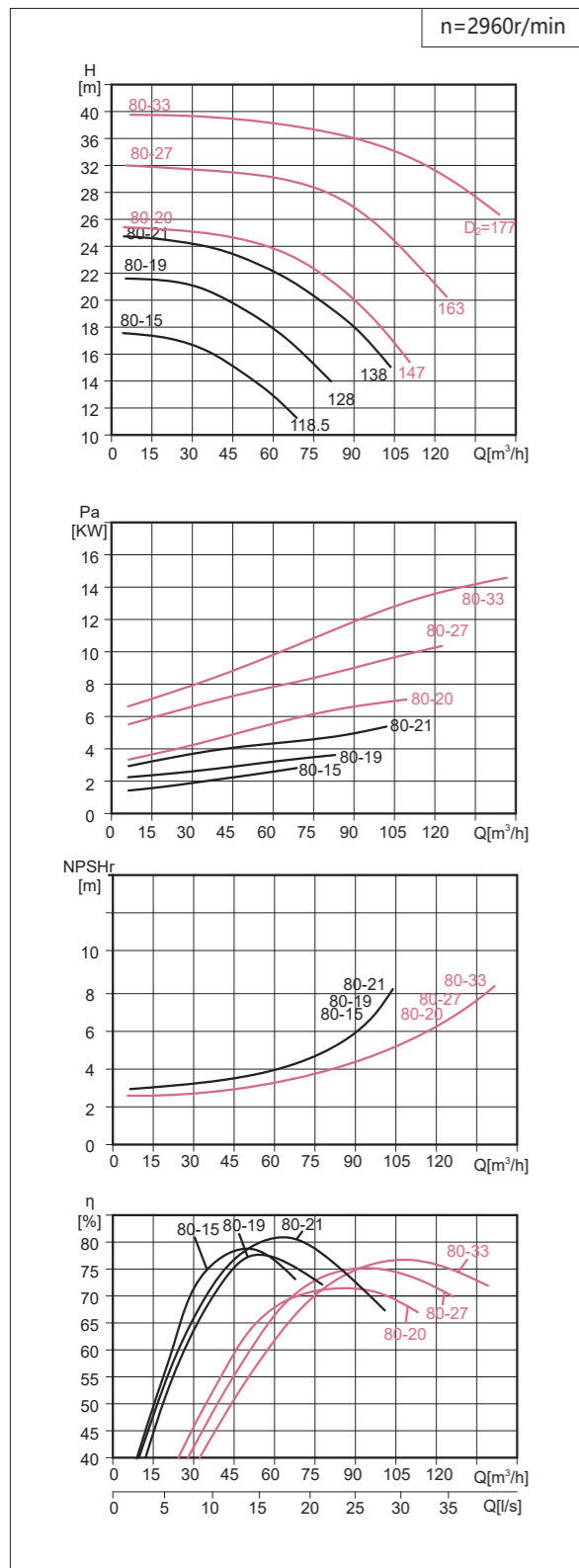
Characteristic curves

TPW/TWZ/TWX系列改进型卧式端吸循环泵
TPW/TWZ/TWX series advanced horizontal end suction circulation pump



性能曲线

Characteristic curves



性能参数表

Parameters table

型号 Type	流量 Capacity Q		扬程 Head H (m)	转速 Speed n (r/min)	泵效率 Eff. η (%)	轴功率 Motor Power Pa (kW)	电机功率 Motor Power PM (kW)	汽蚀余量 (NPSH)r (m)	重量 Weight (kg)	
	(m³/h)	(L/s)								
100TPW15-4/2	50	14.0	16.5	2960	66.0	3.434	4	4.0	92	
	61	17.0	15.8		72.5	3.634		4.0		
100TWZ15-4/2	72	20.0	15.0		76.5	3.847		4.0	110	
100TWX15-4/2	79	22.0	13.8		75.5	3.945		4.0	141	
100TPW18-5.5/2	86	24.0	12.7	2960	74.6	4.008	5.5	4.2	108	
	56	15.6	20		70.0	4.360		4.0		
	68	18.9	19.2		76.0	4.681		4.0		
	100TPW18-5.5/2	80	22.2		18.0	78.0		5.031		4.0
100TWZ18-5.5/2	88	24.4	16.1	2960	77.0	5.014	7.5	4.3	162	
100TWX18-5.5/2	96	26.7	15		75.0	5.232		4.4		
100TPW20-7.5/2	70	19.4	23.0	2960	74.0	5.929	7.5	4.0	123	
	85	23.6	21.5		77.0	6.467		4.3		
	100TPW20-7.5/2	100	27.8		20.0	78.0		6.987	4.5	141
	100TWZ20-7.5/2	110	30.6		17.8	76.0		7.020	4.8	178
100TWX20-7.5/2	120	33.3	15.6	2960	73.0	6.988	11	5.3	168	
100TPW21-11/2	91.0	25.3	24.0		70.0	8.502		3.7		
100TPW21-11/2	111.0	30.8	22.6		73.0	9.364		3.9		193
100TWZ21-11/2	130.0	36.1	20.0		75.0	9.447		4.2		250
100TWX21-11/2	143.0	39.7	19.0	2960	71.5	10.355	15	4.5	180	
100TPW25-15/2	105	29.2	29.3		72.0	11.644		3.7		
100TPW25-15/2	128	35.6	28.2		74.0	13.292		4.0		207
100TWZ25-15/2	150	41.7	25.0		76.0	13.446		4.4		263
100TWX25-15/2	165	45.8	22.5	2960	73.0	13.858	18.5	5.1	198	
100TPW30-18.5/2	180	50.0	19.3		68.0	13.922		5.3		228
100TPW30-18.5/2	112	31.1	36.0		73.6	14.928		3.7		284
100TWZ30-18.5/2	136	37.8	34.0		77.2	16.322		4.0		222
100TWX30-18.5/2	160	44.4	30.0	2960	78.6	16.641	22	4.7	255	
100TPW32-22/2	176	48.9	28.0		77.0	17.440		5.1		312
100TPW32-22/2	192	53.3	25.0		73.0	17.918		5.8		288
100TWZ32-22/2	119	33.1	37.0		74.0	16.214		3.9		347
100TWX32-22/2	145	40.1	34.8	2960	77.0	17.796	30	4.3	250	
100TPW37-22/2	105	29.2	41.8		69.0	17.333		3.5		288
100TPW37-22/2	128	35.6	40.0		72.0	19.378		3.6		347
100TWZ37-22/2	150	41.7	37.0		75.0	20.165		3.8		299
100TWX37-22/2	165	45.8	34.0	2960	72.0	21.232	37	4.0	344	
100TPW45-30/2	112	31.1	51.0		69.0	21.753		4.3		408
100TPW45-30/2	136	37.8	49.0		77.0	23.584		3.7		344
100TWZ45-30/2	160	44.4	45.0		77.0	25.481		3.9		408
100TWX45-30/2	176	48.9	42.0	2960	76.0	26.504	37	4.1	320	
100TPW53-37/2	192	53.3	40.0		72.0	29.067		4.6		368
100TPW53-37/2	119	33.1	58.0		72.0	26.122		3.6		431
100TWZ53-37/2	145	40.1	57.0		77.0	29.149		3.7		368
100TWX53-37/2	170	47.2	53.0	2960	77.0	31.886	1480	4.1	95	
100TPW4-0.75/4	187	51.9	50.0		76.0	33.525		4.4		112
100TPW4-0.75/4	204	56.7	47.0		72.0	36.288		4.8		156
100TWZ4-0.75/4	204	56.7	47.0		72.0	36.288		4.8		156

型号 Type	流量 Capacity Q		扬程 Head H (m)	转速 Speed n (r/min)	泵效率 Eff. η (%)	轴功率 Motor Power Pa (kW)	电机功率 Motor Power PM (kW)	汽蚀余量 (NPSH)r (m)	重量 Weight (kg)	
	(m³/h)	(L/s)								
100TPW60-45/2	137	37.9	67	2960	71	35.101	45	3.2	390	
	166	46.1	63		74	38.587		3.6		
100TPW60-45/2	180	50.0	60		75	39.240		3.7	449	
100TWZ60-45/2	196	54.4	57		74	41.140		3.8	526	
100TWX60-45/2	216	60.0	53	2960	71	43.938	55	4.2	470	
100TPW67-55/2	140	38.9	75		72	39.528		3.3		
100TPW67-55/2	170	47.2	71		73	44.802		3.6		541
100TWZ67-55/2	200	55.6	67		76	48.261		3.9		627
100TWX67-55/2	220	61.1	64	2960	75	51.477	75	4.2	600	
100TPW72-75/2	240	66.7	60		72	54.863		4.6		
100TPW72-75/2	154	42.8	81		75	45.322		3.2		600
100TWZ72-75/2	187	51.9	76		76	51.092		3.7		600
100TWX72-75/2	220	61.1	72	2960	77	56.135	75	4.2	778	
100TPW83-75/2	242	67.2	67		76	58.309		4.6		
100TPW83-75/2	264	73.3	63		72	62.948		5.0		680
100TWZ83-75/2	140	38.9	93		63	56.317		3.2		782
100TWX83-75/2	170	47.2	88	2960	67	60.845	90	3.3	943	
100TPW89-90/2	200	55.6	83		67	67.515		3.5		
100TPW89-90/2	220	61.1	78		65	71.940		3.7		1047
100TWZ89-90/2	240	66.7	73		63	75.781		3.9		1193
100TWX89-90/2	154	42.8	100	2960	64	65.833	110	3.3	970	
100TPW102-110/2	187	51.9	95		58	83.201		3.4		
100TPW102-110/2	220	61.1	89		68	78.376		3.7		1116
100TWZ102-110/2	242	67.2	84		67	82.579		4.0		1265
100TWX102-110/2	264	73.3	80	2960	64	89.925	132	4.2	1050	
100TPW110-132/2	168	46.7	118		64	84.407		3.4		
100TPW110-132/2	204	56.7	108		68	87.963		3.6		1208
100TWZ110-132/2	240	66.7	102		69	96.394		3.9		1356
100TWX110-132/2	264	73.3	97	2960	67	104.719	160	4.2	1140	
100TPW121-160/2	288	80.0	90		64	109.749		4.6		
100TPW121-160/2	182	50.6	124		62	99.350		3.5		1311
100TWZ121-160/2	221	61.4	118		67	105.704		3.7		1453
100TWX121-160/2	260	72.2	110	2960	70	111.741	30	4.0	92	
100TPW4-0.75/4	284	78.9	105		70	116.920		4.5		
100TPW4-0.75/4	312	86.7	99		66	127.530		4.9		110
100TWZ4-0.75/4	196	54.4	135		64	112.912		3.6		139
100TWX4-0.75/4	238	66.1	129	2960	67	124.967	37	3.9	95	
100TPW5-1.1/4	280	77.8	121		71	129.603		4.5		
100TPW5-1.1/4	308	85.6	112		67	140.677		4.8		112
100TWZ5-1.1/4	336	93.3	104		63	151.292		5.5		156
100TPW5-1.1/4	31.5	8.8	5.4	1480	69.0	0.672	1.1	1.7	95	
100TPW5-1.1/4	38.3	10.6	5.0		73.0	0.714		1.8		
100TWZ5-1.1/4	45.0	12.5	4.5		75.0	0.736		2.0		112
100TWX5-1.1/4	49.5	13.8	4.1		74.0	0.747		2.2		156
100TPW5-1.1/4	54.0	15.0	3.7	1480	73.0	0.746	1.1	2.4	95	
100TPW5-1.1/4	38.5	10.7	5.7		63.0	0.949		1.5		
100TWZ5-1.1/4	46.8	13.0	5.4		69.0	0.997		1.6		112
100TWX5-1.1/4	55.0	15.3	4.9		72.5	1.103		1.8		156
100TPW5-1.1/4	60.5	16.8	4.5	1480	73.0	1.106	1.1	1.8	95	
100TPW5-1.1/4	66.0	18.3	4.1		72.2	1.021		1.9		

性能参数表

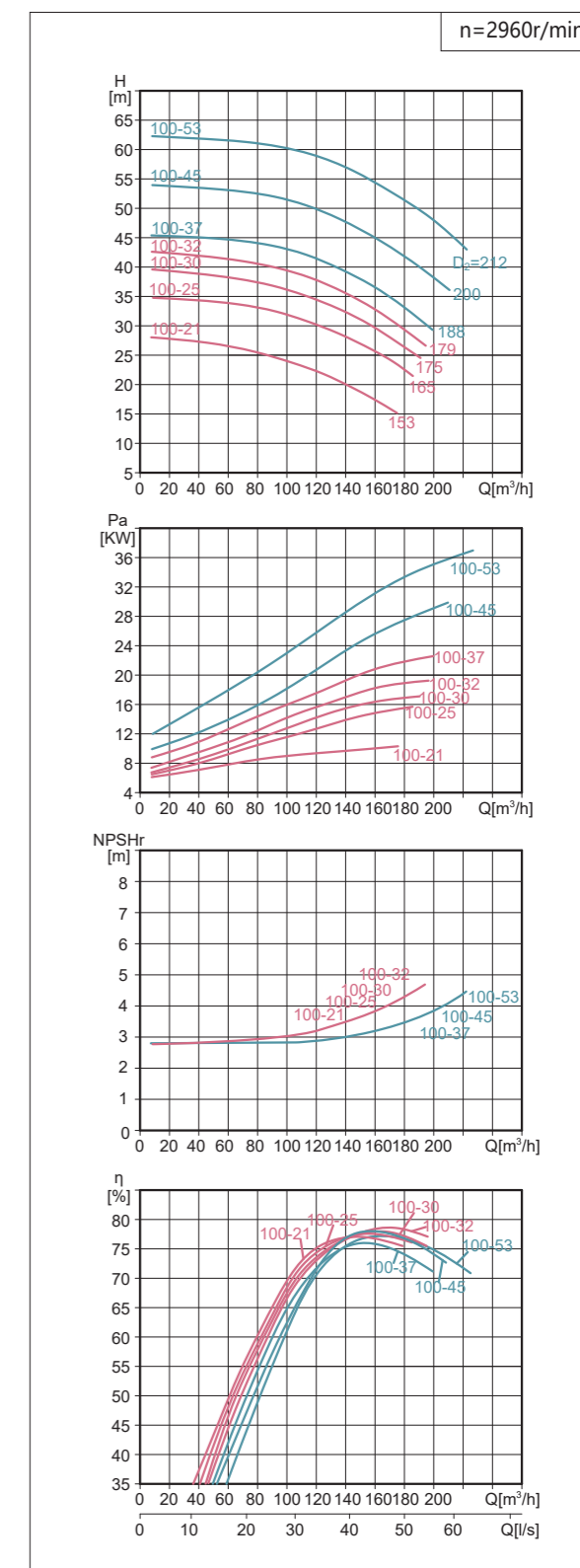
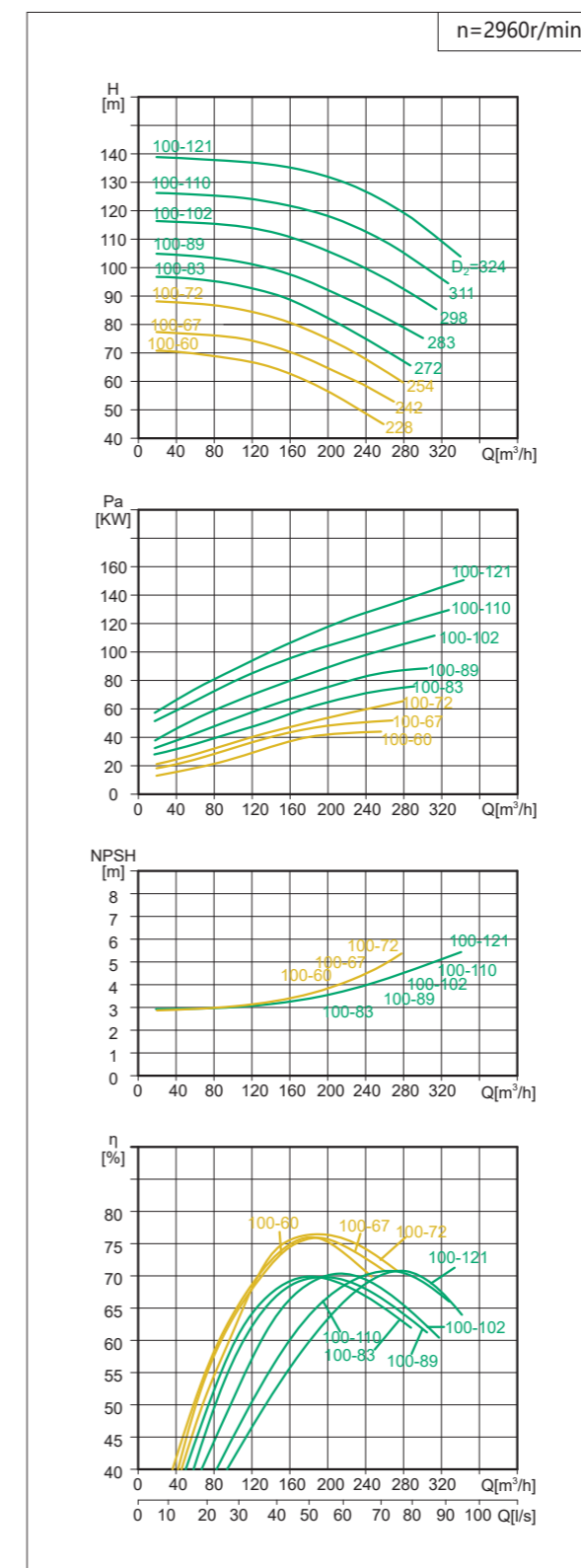
Parameters table

型号 Type	流量 Capacity Q		扬程 Head H (m)	转速 Speed n (r/min)	泵效率 Eff. η (%)	轴功率 Motor Power Pa (kW)	电机功率 Motor Power PM (kW)	汽蚀余量 (NPSH)r (m)	重量 Weight (kg)
	(m³/h)	(L/s)							
100TPW6-1.5/4 100TWZ6-1.5/4 100TWX6-1.5/4	46.2	12.8	6.9	1480	66.0	1.316	1.5	1.6	100
	56.1	15.6	6.5		69.0	1.380		1.8	
	66.0	18.3	6.0		75.5	1.429		2.0	
	72.6	20.2	5.6		76.0	1.458		2.1	
100TPW7-2.2/4 100TWZ7-2.2/4 100TWX7-2.2/4	79.2	22.0	5.2	1480	75.2	1.492	2.2	2.3	128
	52.5	14.6	8.6		70.0	1.758		1.9	
	63.8	17.7	8.3		75.0	1.924		2.2	
	75.0	20.8	7.5		77.3	1.983		2.5	
100TPW8-2.2/4 100TWZ8-2.2/4 100TWX8-2.2/4	82.5	22.9	6.9	1480	74.3	2.088	2.2	2.7	154
	90.0	25.0	6.2		72.0	2.112		3.0	
	49.0	13.6	8.6		67.0	1.791		1.4	
	59.5	16.5	8.3		69.5	1.942		1.4	
100TPW10-3/4 100TWZ10-3/4 100TWX10-3/4	70.0	19.4	7.8	1480	71.8	2.072	2.2	1.5	142
	77.0	21.4	7.3		71.7	2.122		1.6	
	84.0	23.3	6.7		69.8	2.197		1.7	
	52.5	14.6	10.7		65.9	2.323		1.4	
100TPW12-4/4 100TWZ12-4/4 100TWX12-4/4	63.8	17.7	10.4	1480	70.6	2.569	3	1.5	147
	82.5	22.9	9.3		73.8	2.833		1.6	
	90.0	25.0	8.2		70.2	2.865		1.8	
	56.0	15.6	13.5		70.0	2.943		1.4	
100TPW15-5.5/4 100TWZ15-5.5/4 100TWX15-5.5/4	68.0	18.9	13.0	1480	73.0	3.300	4	1.5	158
	80.0	22.2	12.0		75.0	3.488		1.6	
	88.0	24.4	11.3		74.0	3.662		1.8	
	96.0	26.7	10.8		72.0	3.924		1.9	
100TPW18-7.5/4 100TWZ18-7.5/4 100TWX18-7.5/4	68.3	19.0	16.6	1480	69.0	4.474	5.5	1.3	188
	82.9	23.0	15.8		71.0	5.027		1.4	
	90.0	25.0	15.0		72.0	5.109		1.5	
	98.0	27.2	14.1		72.0	5.230		1.7	
100TPW23-11/4 100TWZ23-11/4 100TWX23-11/4	108.0	30.0	13.5	1480	69.0	5.758	7.5	1.8	200
	70.0	19.4	20.4		68.4	5.689		1.3	
	85.0	23.6	19.5		71.5	6.317		1.5	
	100.0	27.8	18.2		73.2	6.775		1.7	
100TPW26-15/4 100TWZ26-15/4 100TWX26-15/4	110.0	30.6	17.6	1480	73.6	7.168	11	1.8	240
	120.0	33.3	16.3		72.5	7.352		2.0	
	75.6	21.0	26.3		66.2	8.184		1.3	
	91.8	25.5	25.0		69.0	9.062		1.4	
100TPW30-18.5/4 100TWZ30-18.5/4 100TWX30-18.5/4	108.0	30.0	23.2	1480	70.4	9.699	15	1.5	310
	118.8	33.0	22.8		72.1	10.237		1.6	
	129.6	36.0	21.6		72.2	10.565		1.7	
	84.0	23.3	29.4		67.4	9.985		1.4	
100TPW31-22/4 100TWZ31-22/4 100TWX31-22/4	102.0	28.3	28.0	1480	70.5	11.039	18.5	1.4	326
	120.0	33.3	26.0		71.2	11.941		1.6	
	132.0	36.7	24.4		68.8	12.757		1.7	
	144.0	40.0	22.4		67.6	13.003		1.8	
100TPW33-22/4 100TWZ33-22/4 100TWX33-22/4	91.0	25.3	33.6	1480	67.0	12.436	22	1.4	362
	110.5	30.7	32.6		70.0	14.023		1.5	
	130.0	36.1	30.0		73.0	14.588		1.7	
	143.0	39.7	28.2		71.0	15.477		1.8	
100TPW36-22/4 100TWZ36-22/4 100TWX36-22/4	156.0	43.3	26.1	1480	68.0	16.316	2.0	2.0	545
	98.0	27.2	36.0		68.0	14.138		1.4	
	119.0	33.1	33.4		71.0	15.255		1.6	
	140.0	38.9	31.0		74.0	15.982		1.8	
100TPW40-22/4 100TWZ40-22/4 100TWX40-22/4	154.0	42.8	28.8	1480	72.0	16.786	2.2	2.0	376
	168.0	46.7	26.7		68.0	17.975		2.2	

性能曲线

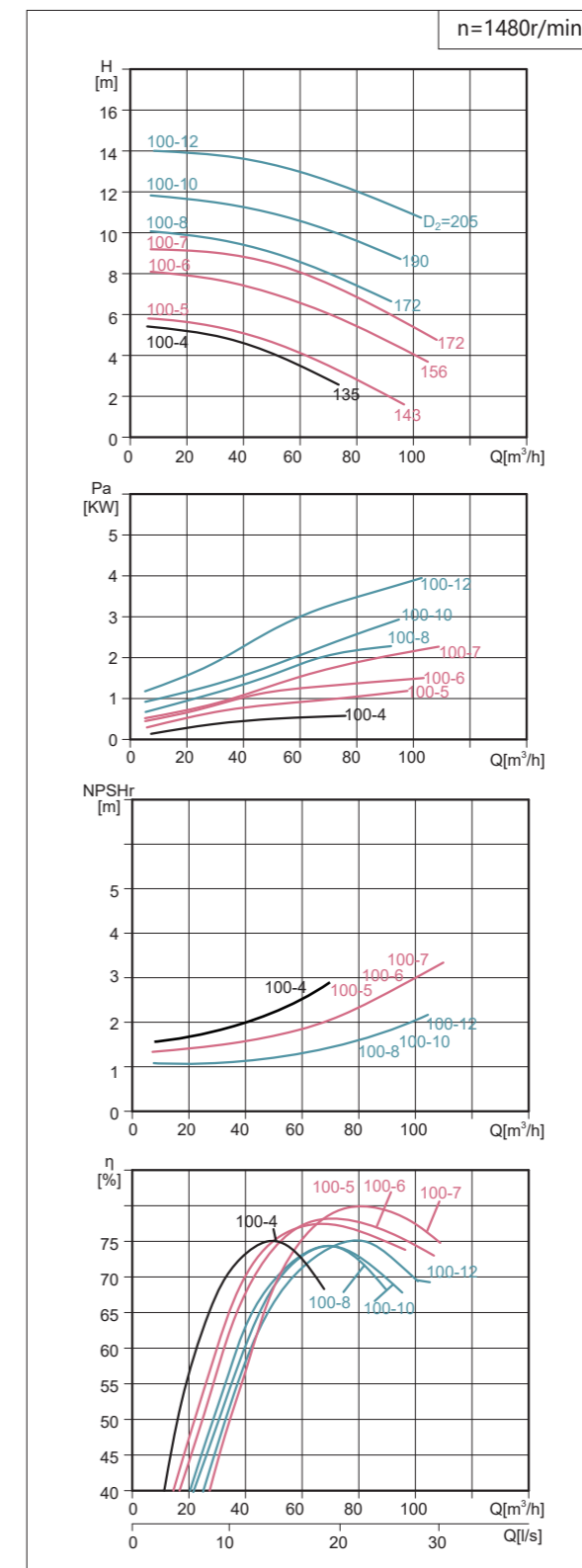
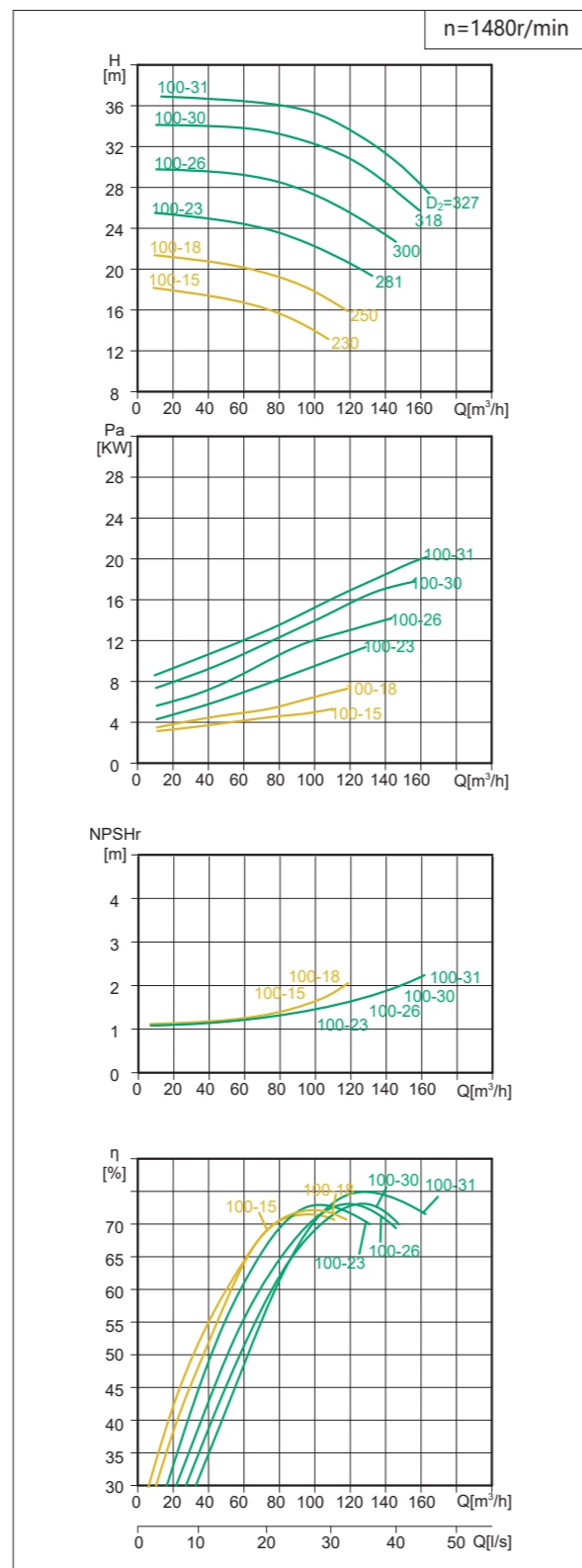
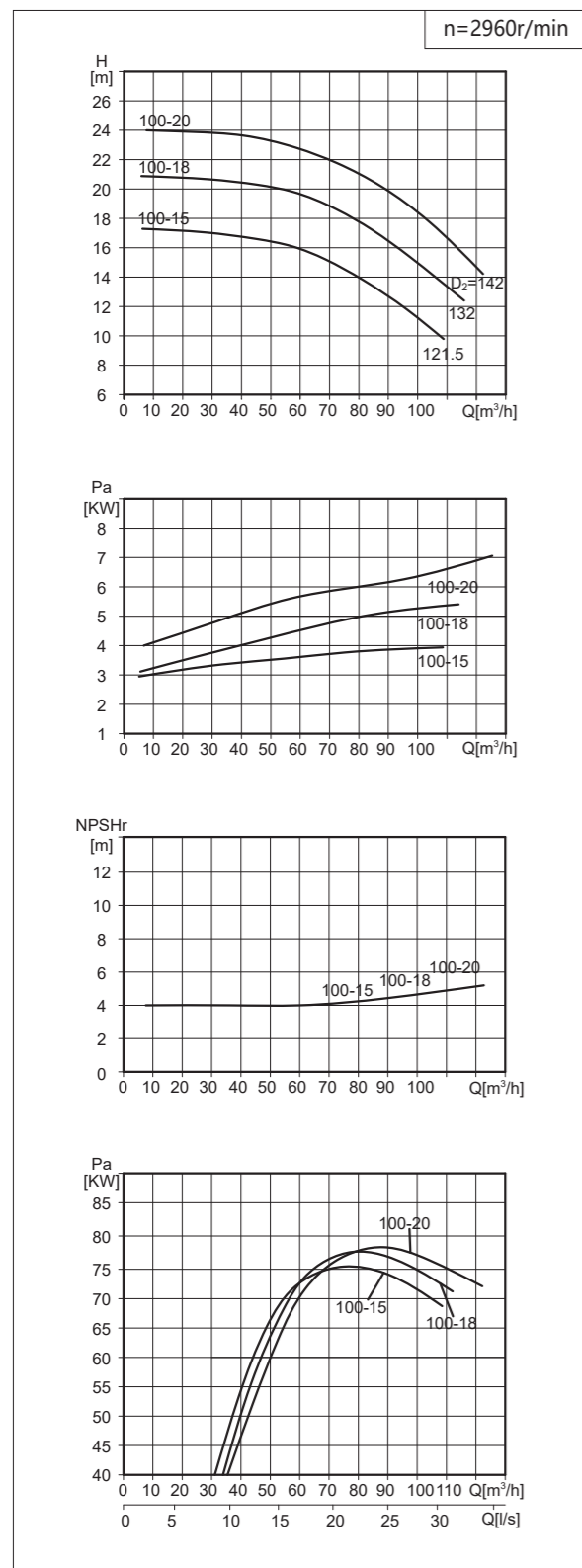
Characteristic curves

TPW/TWZ/TWX系列改进型卧式端吸循环泵
TPW/TWZ/TWX series advanced horizontal end suction circulation pump



性能曲线

Characteristic curves



性能参数表

Parameters table

TPW/TWZ/TWX系列改进型卧式端吸循环泵
TPW/TWZ/TWX series advanced horizontal end suction circulation pump



型号 Type	流量 Capacity Q		扬程 Head H (m)	转速 Speed n (r/min)	泵效率 Eff. η (%)	轴功率 Motor Power Pa (kW)	电机功率 Motor Power PM (kW)	汽蚀余量 (NPSH)r (m)	重量 Weight (kg)
	(m³/h)	(L/s)							
125TPW25-22/2	151.0	41.9	29.6	2960	70.0	17.400	22	6.2	262
125TWZ25-22/2	183.0	50.8	27.5		75.0	18.258		6.3	
125TPW25-22/2	215.0	59.7	25.0		78.9	18.564		6.4	
125TWX25-22/2	237.0	65.8	22.0		76.2	18.646		6.6	
125TPW25-22/2	258.0	71.7	19.6		73.5	18.748		6.8	
125TPW34-30/2	161	44.7	38.4	2960	71.2	23.328	30	6.2	314
125TPW34-30/2	196	54.4	36.8		77.6	25.328		6.3	
125TWZ34-30/2	230	63.9	34.5		81.0	26.975		6.4	
125TPW34-30/2	253	70.3	32.6		81.2	27.679		6.6	
125TWX34-30/2	276	76.7	27.8		75.6	27.657		6.9	
125TPW40-37/2	168	46.7	44.0	2960	72.0	27.977	37	6.2	337
125TPW40-37/2	204	56.7	43.0		78.7	30.373		6.3	
125TWZ40-37/2	240	66.7	40.0		81.9	31.941		6.5	
125TPW40-37/2	264	73.3	37.0		82.0	32.461		6.7	
125TWX40-37/2	288	80.0	32.0		76.0	33.044		7.0	
125TPW46-45/2	175	48.6	53.1	2960	70.0	36.174	45	4.2	440
125TPW46-45/2	213	59.0	49.7		73.0	39.424		4.4	
125TWZ46-45/2	250	69.4	46.0		76.0	41.234		4.8	
125TPW46-45/2	275	76.4	42.9		74.0	43.443		5.4	
125TWX46-45/2	300	83.3	38.9		71.0	44.790		5.7	
125TPW49-55/2	196	54.4	54.8	2960	70.0	41.812	55	4.2	520
125TPW49-55/2	238	66.1	51.4		73.0	45.665		4.5	
125TWZ49-55/2	280	77.8	49.0		76.0	49.193		5.4	
125TPW49-55/2	308	85.6	44.3		74.0	50.245		5.8	
125TWX49-55/2	336	93.3	41.0		72.0	52.138		6.4	
125TPW53-55/2	189	52.5	62.0	2960	71.0	44.974	55	4.5	572
125TPW53-55/2	230	63.9	59.0		73.0	50.655		4.7	
125TWZ53-55/2	270	75.0	53.0		75.0	51.993		5.1	
125TPW53-55/2	297	82.5	50.0		74.0	54.684		5.4	
125TWX53-55/2	324	90.0	45.0		72.0	55.181		5.7	
125TPW60-75/2	210	58.3	65.9	2960	73.0	51.659	75	4.6	652
125TPW60-75/2	255	70.8	64.0		75.0	59.296		5.0	
125TWZ60-75/2	300	83.3	60.0		76.0	64.539		5.4	
125TPW60-75/2	330	91.7	56.8		74.0	69.024		5.8	
125TWX60-75/2	360	100.0	52.4		71.0	72.401		6.2	
125TPW70-90/2	231	64.2	76.9	2960	75.0	64.542	90	4.7	780
125TPW70-90/2	281	77.9	74.3		76.0	74.726		5.3	
125TWZ70-90/2	330	91.7	70.0		77.0	81.750		5.8	
125TPW70-90/2	363	100.8	63.7		76.0	82.908		6.2	
125TWX70-90/2	396	110.0	60.0		74.0	87.495		6.7	
125TPW77-110/2	252	70.0	85.6	2960	75.0	78.375	110	5.0	990
125TPW77-110/2	306	85.0	82.4		77.0	89.233		5.5	
125TWZ77-110/2	360	100.0	77.0		78.0	96.842		6.2	
125TPW77-110/2	396	110.0	71.8		76.0	101.947		6.7	
125TWX77-110/2	432	120.0	66.3		73.0	106.916		7.3	
125TPW98-132/2	231.0	64.2	105.0	2960	72.0	91.798	132	6.0	1060
125TPW98-132/2	280.0	77.8	102.0		75.0	103.768		6.3	
125TWZ98-132/2	330.0	91.7	98.0		75.0	117.582		6.6	
125TPW98-132/2	363.0	100.8	93.0		74.0	122.658		6.8	
125TWX98-132/2	396.0	110.0	88.0		72.0	130.083		7.0	
125TPW108-160/2	252	70.0	118	2960	73.0	111.283	160	6.1	1140
125TPW108-160/2	306	85.0	114		76.0	124.529		6.4	
125TWZ108-160/2	360	100.0	108		76.0	139.534		6.8	
125TPW108-160/2	396	110.0	103		75.0	148.053		7.3	
125TWX108-160/2	432	120.0	96		73.0	154.487		8.0	

型号 Type	流量 Capacity Q		扬程 Head H (m)	转速 Speed n (r/min)	泵效率 Eff. η (%)	轴功率 Motor Power Pa (kW)	电机功率 Motor Power PM (kW)	汽蚀余量 (NPSH)r (m)	重量 Weight (kg)
	(m³/h)	(L/s)							
125TPW121-185/2	270	75.0	134	2960	73.5	133.836	185	6.2	1192
125TPW121-185/2	327	90.8	129		76.5	149.794		6.6	
125TWZ121-185/2	385	106.9	121		76.8	165.838		7.0	
125TPW121-185/2	424	117.8	115		75.5	175.223		7.6	
125TWX121-185/2	462	128.3	107		73.5	182.933		8.2	
125TPW130-200/2	280	77.8	144	2960	74.0	148.476	200	6.3	1222
125TPW130-200/2	340	94.4	138		77.0	166.048		6.7	
125TWZ130-200/2	400	111.1	130		78.0	181.667		7.3	
125TPW130-200/2	440	122.2	122		78.2	187.056		7.8	
125TWX130-200/2	480	133.3	114		75.8	196.718		8.6	
125TPW6-2.2/4	70	19.4	7.0	1480	67.8	1.969	2.2	2.5	123
125TPW6-2.2/4	85	23.6	6.4		72.7	2.039		2.6	
125TWZ6-2.2/4	100	27.8	5.9		74.8	2.149		2.6	
125TPW6-2.2/4	110	30.6	5.4		73.6	2.199		2.7	
125TWX6-2.2/4	120	33.3	4.8		72.5	2.165		2.8	
125TPW7-3/4	76	21.0	8.0	1480	68.0	2.424	3	2.5	133
125TPW7-3/4	92	25.5	7.7		73.0	2.639		2.6	
125TWZ7-3/4	108	30.0	7.0		75.0	2.747		2.6	
125TPW7-3/4	119	33.0	6.4		74.0	2.800		2.7	
125TWX7-3/4	130	36.0	5.8		72.0	2.845		2.8	
125TPW9-4/4	77	21.4	10.0	1480	69.6	3.015	4	2.5	148
125TPW9-4/4	94	26.0	9.6		73.6	3.323		2.6	
125TWZ9-4/4	110	30.6	9.0		76.0	3.550		2.6	
125TPW9-4/4	121	33.6	8.4		75.8	3.654		2.7	
125TWX9-4/4	132	36.7	8.2		74.6	3.954		2.8	
125TPW11-5.5/4	88	24.3	12.9	1480	69.0	4.483	5.5	2.0	192
125TPW11-5.5/4	106	29.5	12.2		73.0	4.827		2.2	
125TWZ11-5.5/4	125	34.7	11.3		75.6	4.934		2.4	
125TPW11-5.5/4	138	38.2	10.6		76.1	5.022		2.6	
125TWX11-5.5/4	150	41.7	9.8		74.4	5.164		2.8	
125TPW12-7.5/4	91	25.3	13.8	1480	70.0	4.889	7.5	2.0	204
125TPW12-7.5/4	111	30.8	13.0		74.0	5.314		2.2	
125TWZ12-7.5/4	130	36.1	12.0		76.0	5.593		2.4	
125TPW12-7.5/4	143	39.7	11.0		75.0	5.715		2.6	
125TWX12-7.5/4	156	43.3	10.0		73.0	5.823		2.8	
125TPW14-7.5/4	100	27.8	16.0	1480	67.3	6.478	7.5	1.2	230
125TPW14-7.5/4	121	33.6	15.2		71.7	6.990		1.4	
125TWZ14-7.5/4	143	39.6	14.0		73.1	7.437		1.7	
125TPW14-7.5/4	157	43.6	12.7		72.6	7.484		2.0	
125TWX14-7.5/4	171	47.5	11.5		71.8	7.463		2.4	
125TPW17-11/4	109	30.1	18.3	1480	67.8	7.980	11	1.3	265
125TPW17-11/4	132	36.7	18.1		72.0	9.042		1.8	
125TWZ17-11/4	155	43.1	17.0		73.3	9.796		2.0	
125TPW17-11/4	171	47.4	16.2		72.8	10.339		2.4	
125TWX17-11/4	186	51.7	15.0		72.0	10.559		2.8	
125TPW20-15/4	119	33.1	22.4	1480	70.5	10.303	15	1.4	283
125TPW20-15/4	145	40.1	21.4		74.0	11.387		1.7	
125TWZ20-15/4	170	47.2	20.0		75.4	12.288		2.4	
125TPW20-15/4	187	51.9	19.0		75.0	12.909		2.8	
125TWX20-15/4	204	56.7	17.5		72.5	13.418		3.5	

性能参数表

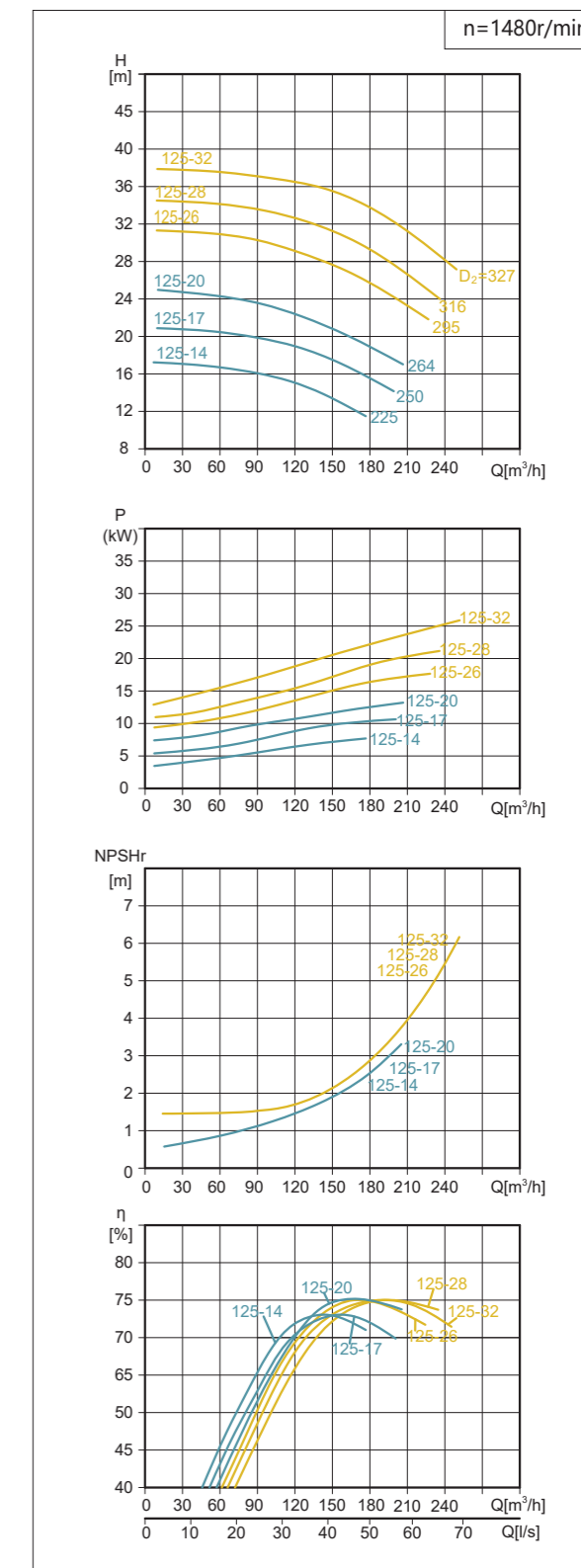
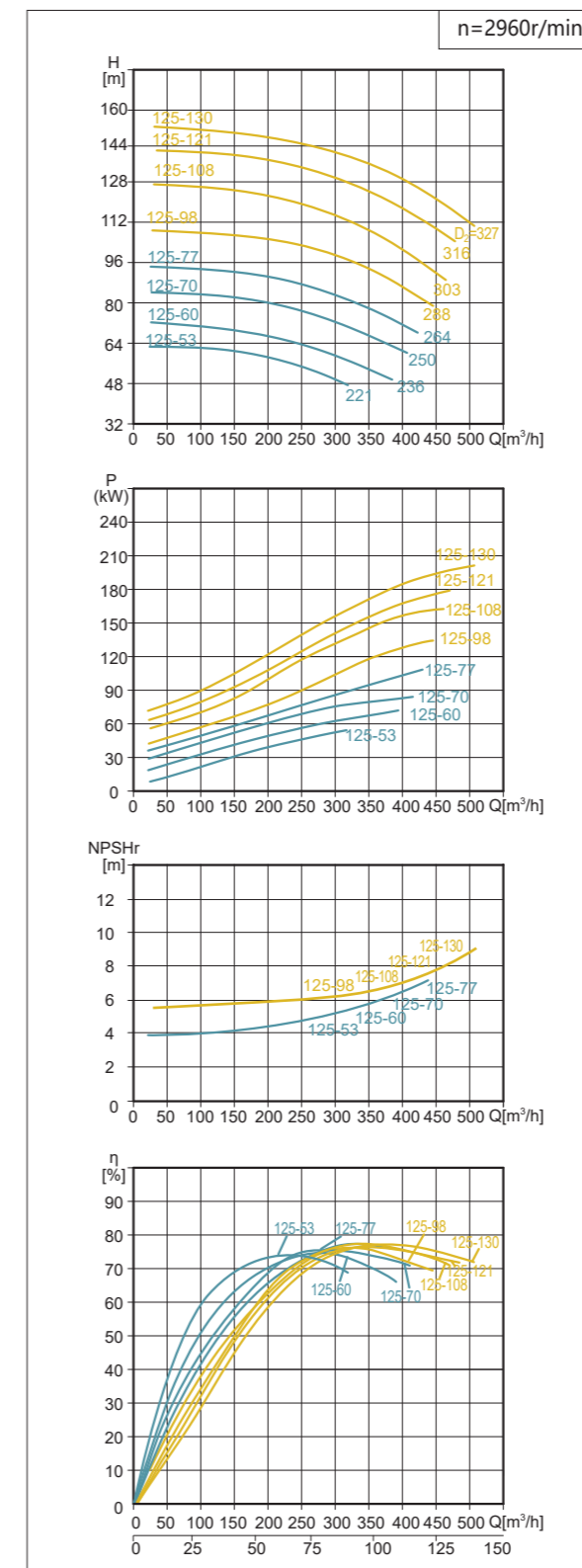
Parameters table

型号 Type	流量 Capacity Q		扬程 Head H (m)	转速 Speed n (r/min)	泵效率 Eff. η (%)	轴功率 Motor Power Pa (kW)	电机功率 Motor Power PM (kW)	汽蚀余量 (NPSH)r (m)	重量 Weight (kg)
	(m³/h)	(L/s)							
125TPW26-18.5/4 125TWZ26-18.5/4 125TWX26-18.5/4	126	35.0	28.7	1480	71.0	13.879	18.5	1.7	334
	153	42.5	27.6		74.1	15.529		2.0	
	180	50.0	26.0		75.0	17.004		2.6	
	198	55.0	24.5		74.0	17.863		3.5	
125TPW28-22/4 125TWZ28-22/4 125TWX28-22/4	137	37.9	31.4	1480	70.0	16.685	22	1.8	348
	166	46.0	30.0		74.5	18.188		2.4	
	195	54.2	28.0		75.0	19.838		3.4	
	215	59.6	26.3		74.1	20.746		4.3	
125TPW32-30/4 125TWZ32-30/4 125TWX32-30/4	140	38.9	34.5	1480	70.4	18.696	30	1.9	410
	170	47.2	33.2		74.5	20.644		2.5	
	200	55.6	31.6		75.4	22.841		3.6	
	220	61.1	30.1		75.6	23.869		4.4	
125TPW5-1.5/6 125TWZ5-1.5/6 125TWX5-1.5/6	53	14.7	5.7	985	67.0	1.229	1.5	0.7	156
	64	17.8	5.3		70.0	1.320		0.7	
	75	20.8	5.0		72.0	1.419		0.8	
	83	23.1	4.6		70.0	1.486		0.8	
125TPW6-2.2/6 125TWZ6-2.2/6 125TWX6-2.2/6	63	17.5	6.9	985	65	1.822	2.2	0.7	187
	77	21.4	6.5		68	2.006		0.7	
	90	25.0	6.0		71	2.073		0.8	
	99	27.5	5.5		69	2.150		0.9	
125TPW7-3/6 125TWZ7-3/6 125TWX7-3/6	77	21.4	7.8	985	66.0	2.480	3	0.7	202
	93	25.8	7.5		69.0	2.755		0.8	
	110	30.6	7.0		72.0	2.914		1.0	
	121	33.6	6.3		70.0	2.968		1.2	
125TPW8-4/6 125TWZ8-4/6 125TWX8-4/6	84	23.3	9.0	985	66.0	3.121	4	0.8	220
	102	28.3	8.6		69.0	3.464		1.0	
	120	33.3	8.0		72.0	3.633		1.2	
	132	36.7	7.4		70.0	3.803		1.4	
125TPW12-5.5/6 125TWZ12-5.5/6 125TWX12-5.5/6	84	23.3	13.0	985	70.0	4.251	5.5	1.2	240
	102	28.3	12.5		74.0	4.695		1.3	
	120	33.3	12.0		75.0	5.232		1.4	
	132	36.7	11.3		75.2	5.405		1.5	
125TPW14-7.5/6 125TWZ14-7.5/6 125TWX14-7.5/6	144	40.0	10.5	985	74.6	5.523	7.5	1.7	396
	95	26.4	15.6		70.5	5.728		1.2	
	114	31.7	14.9		74.9	6.180		1.3	
	135	37.5	14.0		75.4	6.831		1.6	
	149	41.4	13.1	985	74.6	7.130	7.5	1.8	313
	162	45.0	12.2		73.2	7.358		2.0	

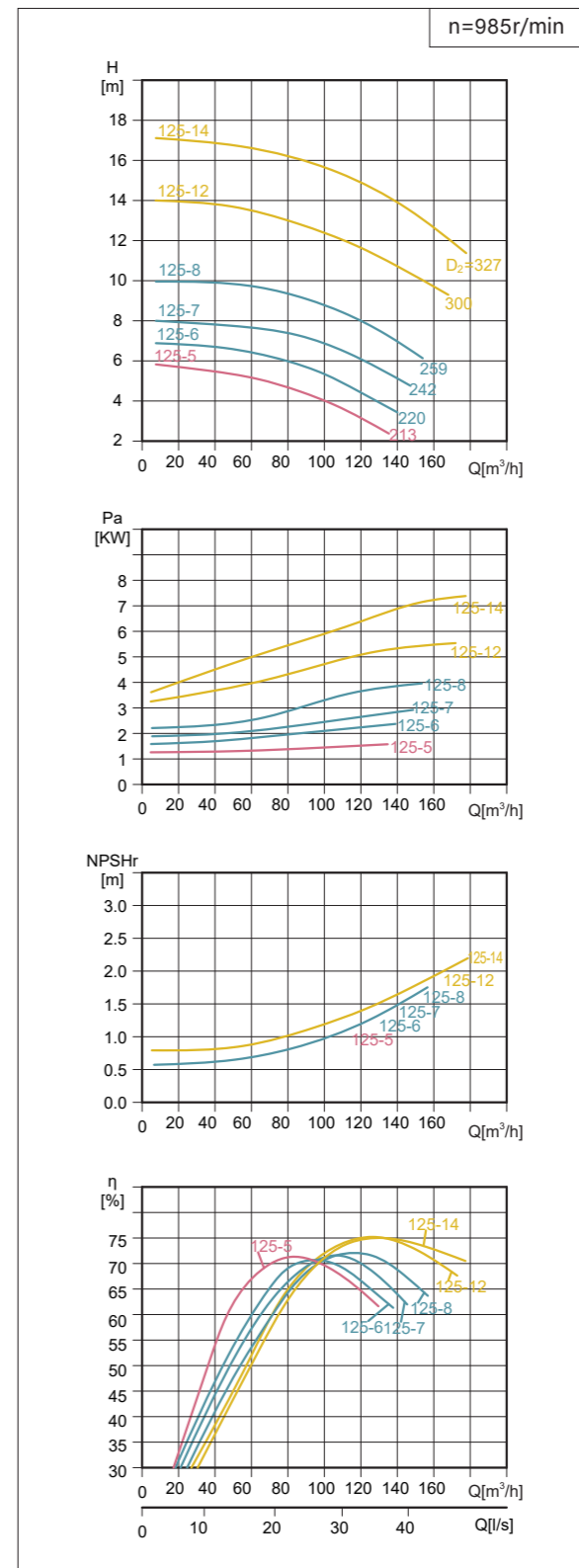
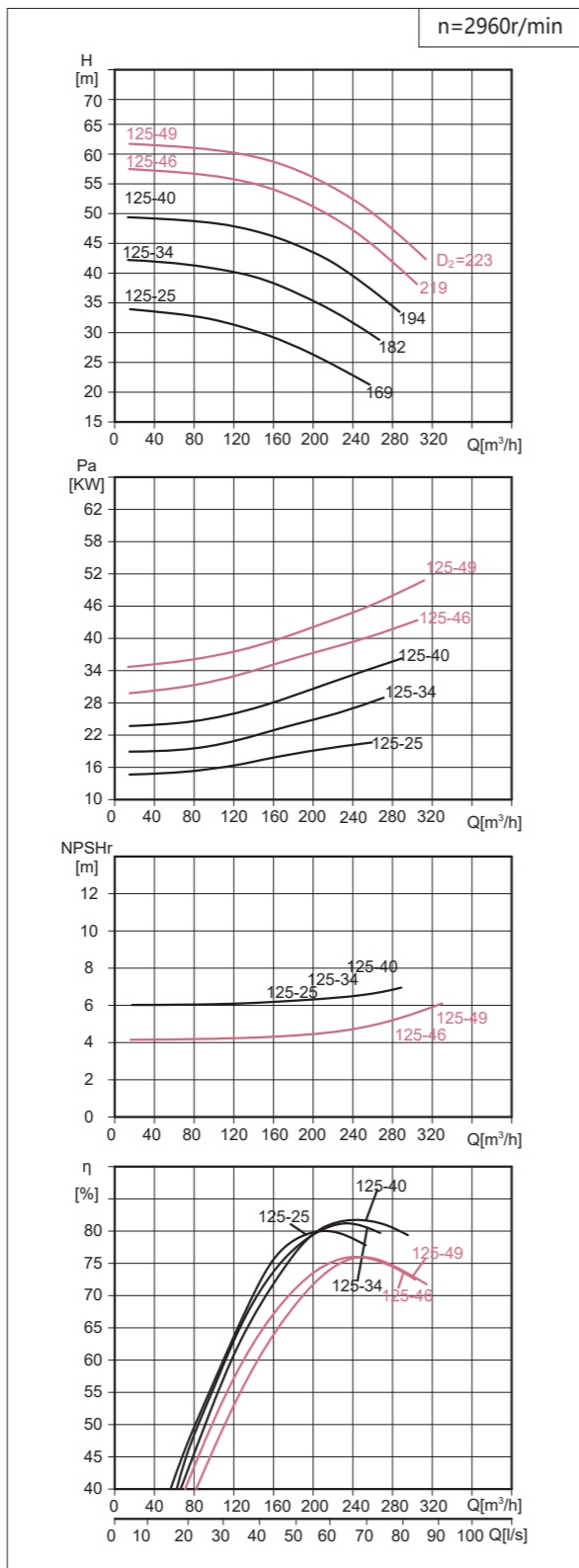
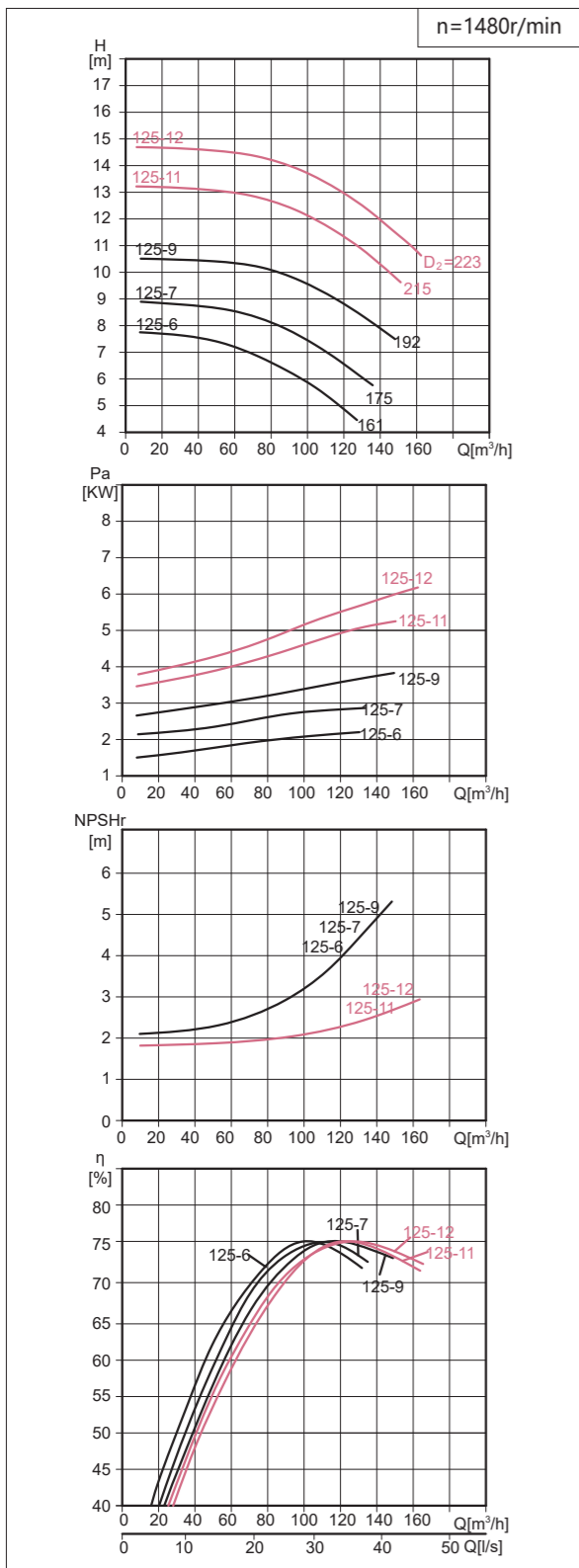
性能曲线

Characteristic curves

TPW/TWZ/TWX系列改进型卧式端吸循环泵
TPW/TWZ/TWX series advanced horizontal end suction circulation pump



性能曲线 Characteristic curves





性能参数表 Parameters table

型号 Type	流量 Capacity Q		扬程 Head H (m)	转速 Speed n (r/min)	泵效率 Eff. η (%)	轴功率 Motor Power Pa (kW)	电机功率 Motor Power PM (kW)	汽蚀余量 (NPSH)r (m)	重量 Weight (kg)
	(m³/h)	(L/s)							
150TPW41-75/2 150TWZ41-75/2 150TWX41-75/2	333.1	92.5	45.7	2980	73.2	56.644	75	8.2	750
	404.5	112.4	44.2		78.2	62.273		8.9	
	475.9	132.2	41.2		79.9	66.843		9.5	
	523.5	145.4	38.9		79.5	69.866		10.2	
	571.1	158.6	35.9		76.6	73.018		11.0	
150TPW48-90/2 150TWZ48-90/2 150TWX48-90/2	359.9	100.0	53.3	2980	75.8	68.944	90	8.2	818
	437.0	121.4	51.5		80.3	76.435		9.2	
	514.1	142.8	48.1		81.8	82.290		9.9	
	565.5	157.1	45.4		81.4	86.002		10.8	
	616.9	171.4	41.9		78.5	89.803		11.4	
150TPW55-110/2 150TWZ55-110/2 150TWX55-110/2	385.0	106.9	61.0	2980	77.5	82.576	110	8.4	930
	467.5	129.9	59.0		81.6	92.111		9.5	
	550.0	152.8	55.0		82.5	99.917		10.6	
	605.0	168.1	52.0		82	104.547		11.0	
	660.0	183.3	48.0		79.2	109.000		11.6	
150TWZ57-110/2 150TWX57-110/2	353.0	98.1	63.6	2980	71.6	85.444	110	7.4	1060
	428.7	119.1	61.1		76.3	93.468		7.4	
	504.4	140.1	56.5		77.6	100.111		8.6	
	554.8	154.1	53.7		74.8	108.532		9.0	
	605.2	168.1	49.2		74.5	108.865		9.4	
150TWZ64-132/2 150TWX64-132/2	374.3	104.0	71.5	2980	72.0	101.299	132	7.6	1180
	454.6	126.3	68.6		76.9	110.561		7.8	
	534.8	148.6	63.6		77.9	118.891		8.9	
	588.3	163.4	60.4		75.4	128.360		9.2	
	641.7	178.3	55.3		74.8	129.266		9.6	
150TWZ74-160/2 150TWX74-160/2	404.8	112.4	83.6	2980	72.2	127.714	160	7.8	1270
	491.5	136.5	80.3		78.4	137.105		8.0	
	578.3	160.6	74.3		78.8	148.593		8.8	
	636.1	176.7	70.6		78.5	155.873		9.4	
	693.9	192.8	64.6		78.2	156.322		9.8	
150TWZ80-185/2 150TWX80-185/2	420.0	116.7	90.0	2980	75.0	137.340	185	8.0	1390
	510.0	141.7	86.4		78.0	153.942		8.4	
	600.0	166.7	80.0		80.0	163.500		9.2	
	660.0	183.3	76.0		78.0	175.238		9.6	
	720.0	200.0	69.6		76.7	178.038		11.0	
150TWX96-220/2	387.3	107.6	104.0	2980	70.4	155.982	220	11.0	2700
	471.2	130.9	99.8		74.5	172.033		15.0	
	553.4	153.7	95.6		76.2	189.178		17.0	
	608.7	169.1	91.1		76.8	196.754		19.0	
	664.0	184.5	85.5		76.2	202.977		24.0	
150TWX109-250/2	414.1	115.0	118.9	2980	72.2	185.846	250	6.6	2780
	503.7	139.9	114.1		77.1	203.122		8.0	
	591.6	164.3	109.3		79.0	222.968		9.0	
	650.7	180.8	104.1		79.1	233.428		10.0	
	709.9	197.2	97.7		79.2	238.628		11.0	
150TWX118-280/2	431.0	119.7	128.8	2980	72.5	208.677	280	7.4	3038
	524.3	145.6	123.6		77.7	227.255		8.4	
	615.7	171.0	118.4		79.0	251.400		9.8	
	677.3	188.1	112.8		77.7	267.935		10.8	
	738.9	205.2	105.8		76.6	278.189		12.6	
150TWX128-315/2	447.9	124.4	139.1	2980	72.5	234.203	315	7.8	3305
	544.9	151.4	133.5		77.7	255.053		9.0	
	639.9	177.7	127.8		79.2	281.439		10.6	
	703.9	195.5	121.8		77.5	301.485		12.4	
	767.9	213.3	114.3		76.4	313.034		16.8	
150TWX136-355/2	462.0	128.3	148.0	2980	74.0	251.790	355	7.8	3600
	562.0	156.1	142.0		77.0	282.423		9.0	
	660.0	183.3	136.0		79.7	306.896		10.6	
	726.0	201.7	129.6		78.0	328.710		12.4	
	792.0	220.0	121.6		75.3	348.522		16.8	

型号 Type	流量 Capacity Q		扬程 Head H (m)	转速 Speed n (r/min)	泵效率 Eff. η (%)	轴功率 Motor Power Pa (kW)	电机功率 Motor Power PM (kW)	汽蚀余量 (NPSH)r (m)	重量 Weight (kg)
	(m³/h)	(L/s)							
150TPW11-11/4 150TWZ11-11/4 150TWX11-11/4	176.4	49.0	12.8	1480	75.2	8.183	11	3.3	305
	214.2	59.5	12.4		78.8	9.171		3.7	
	252.0	70.0	11.5		80	9.908		3.9	
	277.2	77.0	10.9		79.5	10.369		4.3	
	302.4	84.0	10.1		77.2	10.752		4.6	
150TPW14-15/4 150TWZ14-15/4 150TWX14-15/4	191.2	53.1	15.0	1480	75.8	10.342	15	3.4	340
	232.2	64.5	14.6		79.5	11.582		3.8	
	273.2	75.9	13.6		81	12.466		4.2	
	300.5	83.5	12.8		80.4	13.062		4.4	
	327.8	91.1	11.8		77.6	13.628		4.6	
150TPW13-11/4 150TWZ13-11/4 150TWX13-11/4	161	44.7	15.0	1480	72.0	9.140	11	3.1	305
	196	54.4	14.3		76.9	9.932		3.7	
	230	63.9	13.0		77.9	10.459		4.3	
	253	70.3	11.8		75.4	10.789		4.8	
	276	76.7	11.0		74.8	11.060		5.7	
150TPW16-15/4 150TWZ16-15/4 150TWX16-15/4	182	50.6	19.0	1480	72.2	13.051	15	3.5	340
	221	61.4	17.7		78.4	13.596		4.2	
	260	72.2	16.0		78.8	14.386		4.9	
	286	79.4	15.0		78.5	14.892		5.8	
	312	86.7	13.8		78.2	15.004		6.5	
150TPW18-18.5/4 150TWZ18-18.5/4 150TWX18-18.5/4	196	54.4	21.5	1480	74.3	15.455	18.5	3.7	365
	238	66.1	20.3		77.2	17.054		4.4	
	280	77.8	18.0		79.0	17.385		5.7	
	308	85.6	16.4		78.0	17.647		6.5	
	336	93.3	14.1		73.0	17.685		7.2	
150TPW19-18.5/4 150TWZ19-18.5/4 150TWX19-18.5/4	175	48.6	20.7	1480	70.4	14.022	18.5	4.4	370
	213	59.2	20.0		74.5	15.582		5.2	
	250	69.4	19.0		76.2	16.987		6.2	
	275	76.4	18.2		76.8	17.759		7.2	
	300	83.3	17.0		76.2	18.238		8.0	
150TPW22-22/4 150TWZ22-22/4 150TWX22-22/4	182	50.6	23.7	1480	72.2	16.280	22	2.0	400
	221	61.4	23.0		77.1	17.965		2.5	
	260	72.2	22.0		79.0	19.730		3.0	
	286	79.4	21.0		79.1	20.691		3.5	
	312	86.7	20.0		79.2	21.470		4.0	
150TPW28-30/4 150TWZ28-30/4 150TWX28-30/4	196	54.4	29.6	1480	72.5	21.806	30	2.1	437
	238	66.1	29.2		77.7	24.373		2.8	
	280	77.8	28.0		79.2	26.975		3.3	
	308	85.6	26.8		77.5	29.024		3.8	
	336	93.3	25.5		76.6	30.480		4.8	
150TPW32-37/4 150TWZ32-37/4 150TWX32-37/4	210	58.3	34.7	1480	72.5	27.389	37	2.3	481
	255	70.8	33.8		77.7	30.228		2.8	
	300	83.3	32.0		79.2	33.030		3.7	
	330	91.7	30.3		77.5	35.158		4.8	
	360	100.0	28.4		76.4	36.466		5.6	
150TPW34-45/4 150TWZ34-45/4 150TWX34-45/4	231	64.2	37.0	1480	74.0	31.474	45	2.7	515
	281	78.1	35.5		77.0	35.303		3.4	
	330	91.7	34.0		79.7	38.362		4.5	
	363	100.8	32.4		78.0	41.089		5.6	
	396	110.0	30.4		75.3	43.565		8.0	
150TPW41-45/4 150TWZ41-45/4 150TWX41-45/4	203	56.4	41.7	1480	70.0	32.953	45	3.0	545
	247	68.6	40.7		74.6	36.721		3.3	
	290	80.6	39.3		77.0	40.334		3.7	
	319	88.6	38.2		76.0	43.693		4.1	
	348	96.7	36.0		75.8	45.038		4.5	
150TPW43-55/4 150TWZ43-55/4 150TWX43-55/4	238	66.1	46.5	1480	71.7	42.061	55	3.2	634
	289	80.3	45.0		75.9	46.691		3.7	
	340	94.4	43.0		78.0	51.076		4.4	
	374	103.9	41.0		77.6	53.847		5.1	
	408	113.3	38.7		77.2	55.734		5.8	

性能参数表

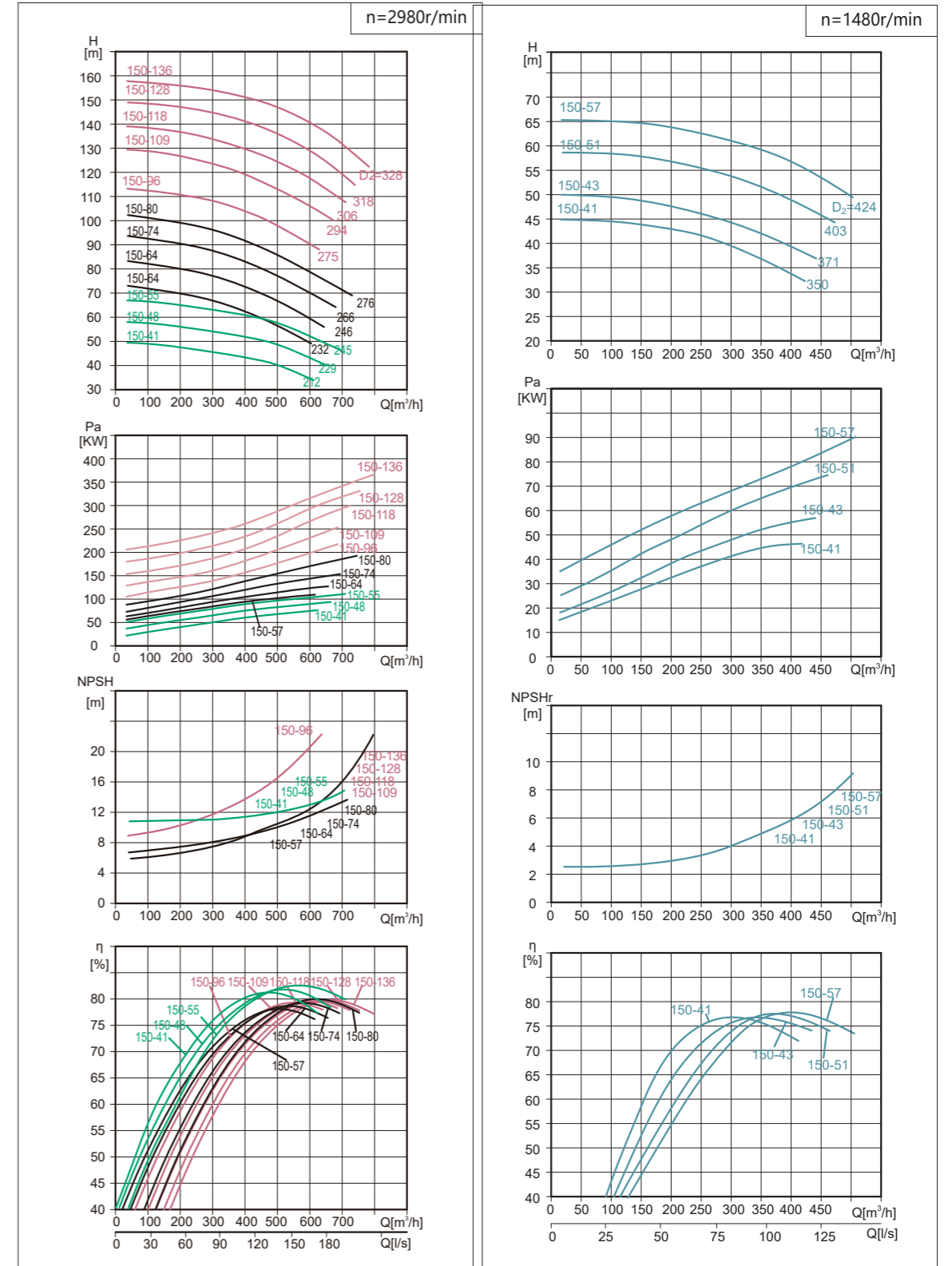
Parameters table

型号 Type	流量 Capacity Q		扬程 Head H (m)	转速 Speed n (r/min)	泵效率 Eff. η (%)	轴功率 Motor Power Pa (kW)	电机功率 Motor Power PM (kW)	汽蚀余量 (NPSH)r (m)	重量 Weight (kg)	
	(m³/h)	(L/s)								
150TPW51-75/4 150TWZ51-75/4 150TWX51-75/4	260	72.2	55.3	1480	72.7	53.893	75	3.4	753	
	316	87.8	53.7		76.9	60.131				4.1
	409	113.6	48.5		77.9	69.390				5.8
150TPW57-90/4 150TWZ57-90/4 150TWX57-90/4	446	123.9	46.4	1480	77.6	72.670	90	3.6	820	
	280	77.8	61.0		72.6	64.109				4.4
	340	94.4	59.0		76.5	71.456				5.7
150TPW4-2.2/6 150TWZ4-2.2/6 150TWX4-2.2/6	400	111.1	57.0	985	80.0	77.663	3	6.9	943	
	115	31.9	4.4		68.2	2.022				1.6
	135	37.5	4.0		71.2	2.067				1.7
150TPW5-3/6 150TWZ5-3/6 150TWX5-3/6	149	41.4	3.7	985	69.7	2.155	4	1.8	268	
	162	45.0	3.3		68.2	2.136				1.9
	111	30.8	5.8		70.5	2.488				1.6
150TPW6-4/6 150TWZ6-4/6 150TWX6-4/6	134	37.2	5.5	985	75.4	2.664	5.5	1.7	237	
	158	43.9	5.0		76.4	2.818				1.9
	174	48.3	4.4		73.9	2.823				1.9
150TPW8-5.5/6 150TWZ8-5.5/6 150TWX8-5.5/6	190	52.8	4.1	985	72.1	2.944	7.5	2.0	334	
	123	34.2	7.3		70.8	3.456				1.7
	149	41.4	6.8		77.0	3.586				1.8
150TPW9-5.5/6 150TWZ9-5.5/6 150TWX9-5.5/6	175	48.6	6.0	985	77.4	3.697	11	1.9	285	
	193	53.6	5.6		76.9	3.830				2.0
	210	58.3	5.2		76.6	3.885				2.2
150TPW11-7.5/6 150TWZ11-7.5/6 150TWX11-7.5/6	130	36.1	9.6	985	71.0	4.782	15	1.7	260	
	158	43.8	9.0		75.9	5.092				1.7
	185	51.5	8.0		76.2	5.304				2.0
150TPW14-11/6 150TWZ14-11/6 150TWX14-11/6	204	56.7	7.3	985	75.5	5.374	18.5	2.2	299	
	222	61.8	6.3		70.1	5.449				2.4
	111	30.8	9.7		69.2	4.240				1.9
150TPW17-15/6 150TWZ17-15/6 150TWX17-15/6	134	37.2	9.4	985	73.3	4.683	22	2.1	290	
	158	43.9	9.0		75.0	5.167				2.3
	174	48.3	8.6		75.6	5.394				2.6
150TPW20-18.5/6 150TWZ20-18.5/6 150TWX20-18.5/6	190	52.8	8.0	985	75.3	5.501	30	2.8	408	
	123	34.2	11.9		68.6	5.814				1.9
	150	41.7	11.5		73.4	6.404				2.1
150TPW23-22/6 150TWZ23-22/6 150TWX23-22/6	176	48.9	11.0	985	75.7	6.969	30	2.5	368	
	194	53.9	10.3		75.3	7.231				2.7
	211	58.6	9.8		75.2	7.493				3.2
150TPW26-30/6 150TWZ26-30/6 150TWX26-30/6	140	38.9	15.2	985	71.3	8.132	30	2.0	442	
	170	47.2	14.8		76.5	8.965				2.3
	200	55.6	14.0		78.0	9.793				2.7
150TPW30/6 150TWZ30/6 150TWX30/6	220	61.1	13.3	985	76.3	10.428	30	3.1	474	
	240	66.7	12.4		75.2	10.818				4.2
	158	43.8	18.5		68.9	11.548				1.7
150TPW41-27/6 150TWZ41-27/6 150TWX41-27/6	191	53.2	17.9	985	73.5	12.679	30	2.0	448	
	225	62.5	17.0		75.9	13.736				2.5
	248	68.8	16.1		74.9	14.523				3.0
150TPW51-37/6 150TWZ51-37/6 150TWX51-37/6	270	75.0	15.3	985	74.8	15.088	30	3.5	627	
	165	45.8	21.5		68.9	14.024				1.9
	201	55.7	20.8		73.4	15.530				2.4
150TPW64-45/6 150TWZ64-45/6 150TWX64-45/6	236	65.5	20.0	985	75.8	16.926	30	3.2	567	
	260	72.1	19.1		74.8	18.058				3.8
	283	78.5	17.9		74.7	18.432				4.5
150TPW80-55/6 150TWZ80-55/6 150TWX80-55/6	172	47.8	24.9	985	69.6	16.784	30	2.0	525	
	209	58.1	24.2		73.8	18.697				2.7
	246	68.4	23.0		75.9	20.340				3.3
150TPW109-83/6 150TWZ109-83/6 150TWX109-83/6	271	75.2	21.9	985	75.0	21.549	30	3.9	716	
	295	82.0	20.5		74.7	22.085				4.7
	185	51.5	27.7		69.6	20.108				2.3
150TPW136-109/6 150TWZ136-109/6 150TWX136-109/6	225	62.5	26.8	985	73.5	22.370	30	3.0	560	
	265	73.6	26.0		76.7	24.466				3.8
	291	80.9	24.7		74.8	26.217				4.6
150TPW182-136/6 150TWZ182-136/6 150TWX182-136/6	318	88.3	23.3	985	72.9	27.682	30	5.3	756	

性能曲线

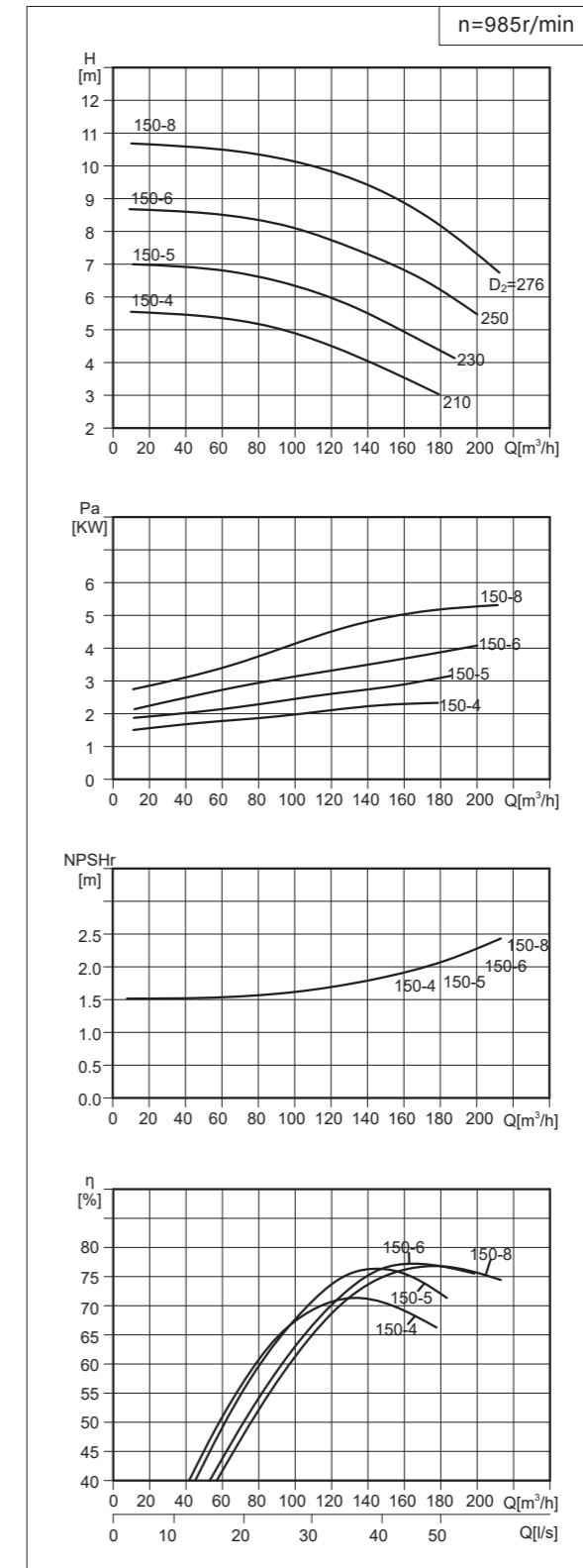
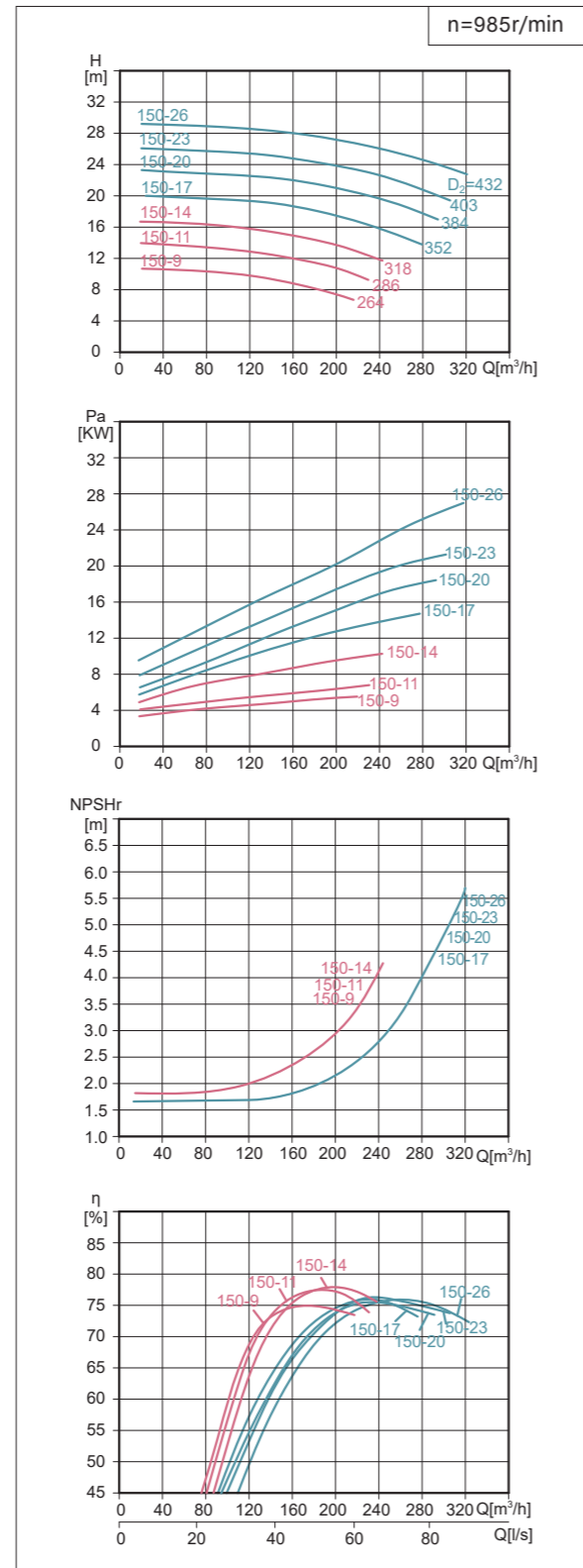
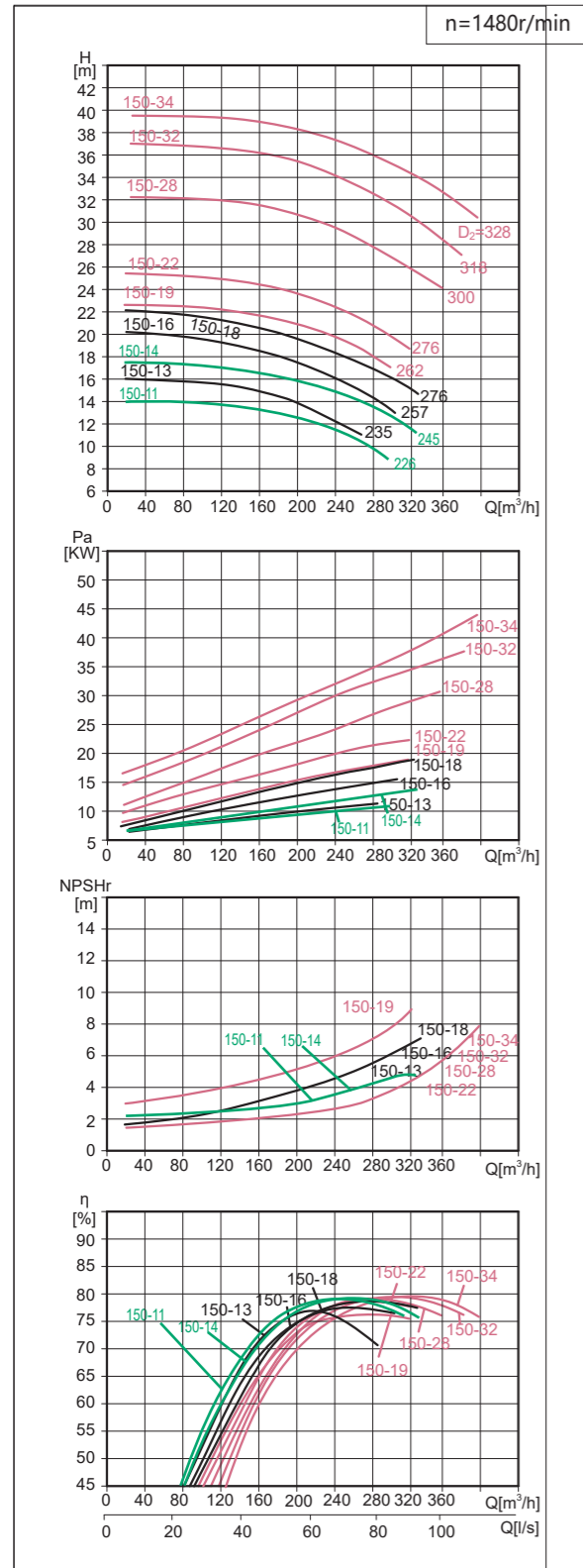
Characteristic curves

TPW/TWZ/TWX系列改进型卧式端吸循环泵
TPW/TWZ/TWX series advanced horizontal end suction circulation pump



性能曲线

Characteristic curves





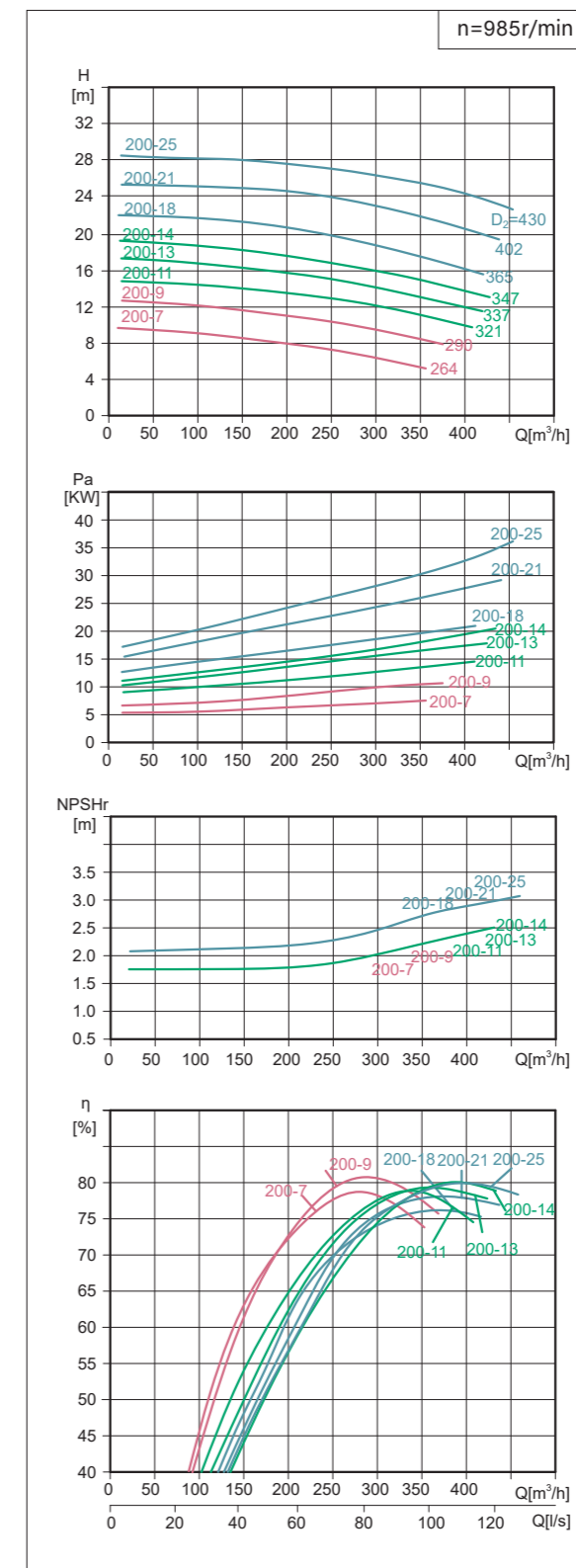
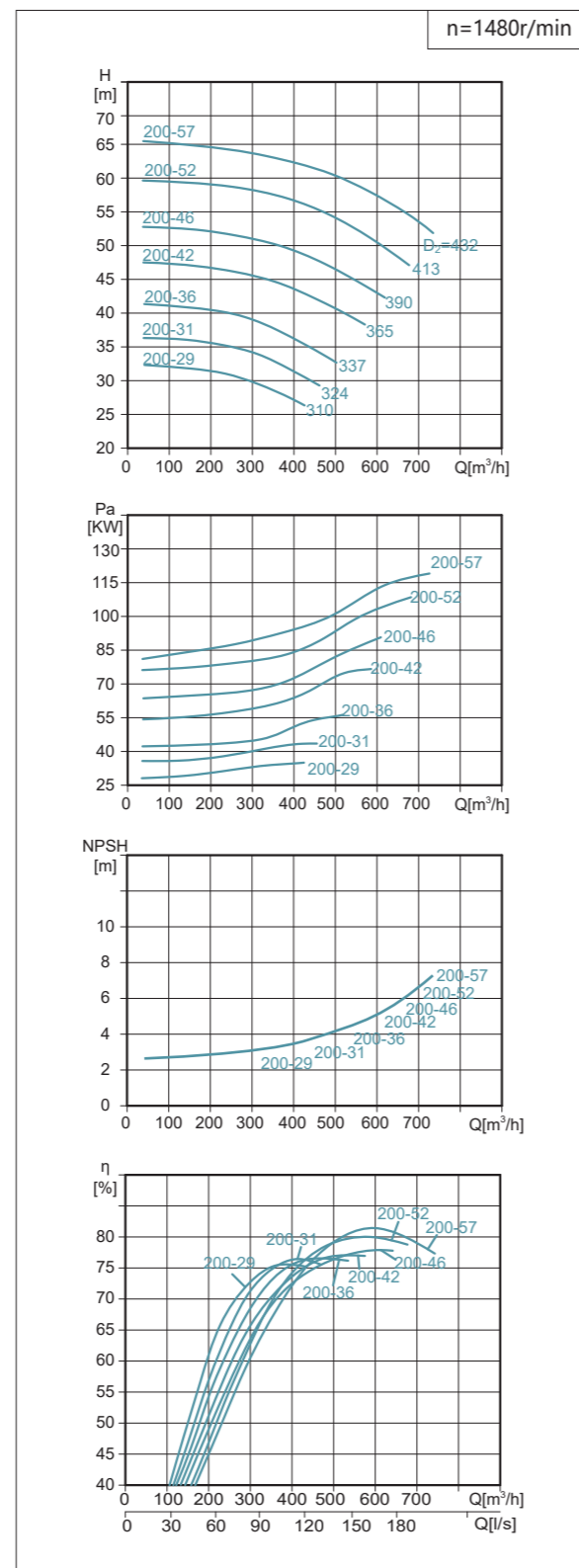
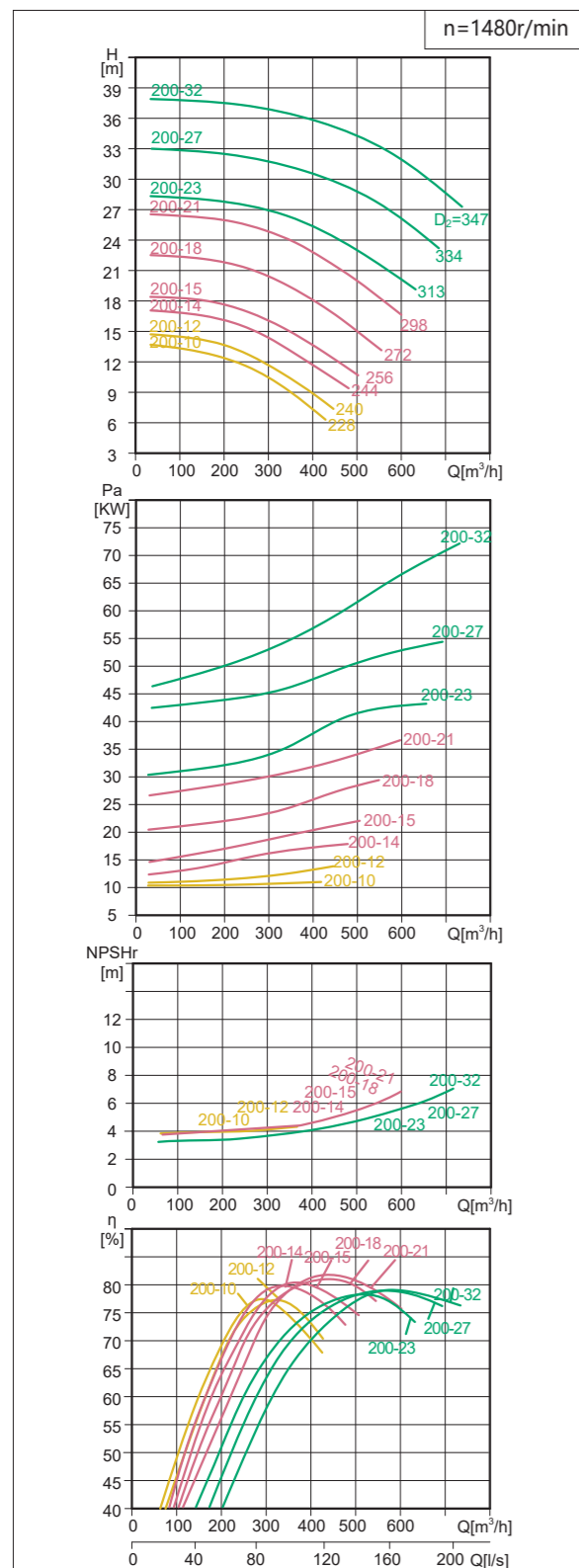
性能参数表

Parameters table

型号 Type	流量 Capacity Q		扬程 Head H (m)	转速 Speed n (r/min)	泵效率 Eff. η (%)	轴功率 Motor Power Pa (kW)	电机功率 Motor Power PM (kW)	汽蚀余量 (NPSH) _r (m)	重量 Weight (kg)
	(m ³ /h)	(L/s)							
200TPW10-11/4 200TWZ10-11/4 200TWX10-11/4	210	58.3	12.6	1480	72.0	10.014	11	4.2	300
	255	70.8	11.3		76.0	10.332		4.2	
	300	83.3	10.0		78.0	10.481		4.3	
	330	91.7	8.7		75.0	10.431		4.7	
	360	100.0	7.4		72.0	10.083		5.0	
200TPW12-15/4 200TWZ12-15/4 200TWX12-15/4	217	60.3	14.9	1480	73.1	12.053	15	4.2	320
	264	73.3	13.9		77.8	12.853		4.2	
	310	86.1	12.0		78.9	12.848		4.5	
	341	94.7	10.7		76.6	12.980		4.9	
	372	103.3	9.5		72.0	13.375		5.5	
200TPW14-18.5/4 200TWZ14-18.5/4 200TWX14-18.5/4	235	65.3	15.4	1480	72.0	13.697	18.5	5.0	410
	285	79.2	14.8		77.0	14.927		6.0	
	335	93.1	14.0		81.0	15.778		7.0	
	369	102.5	13.0		79.0	16.547		8.0	
	402	111.7	12.0		76.0	17.297		9.0	
200TPW15-22/4 200TWZ15-22/4 200TWX15-22/4	263	73.1	16.6	1480	73.5	16.186	22	5.0	425
	319	88.6	16.0		78.0	17.831		6.0	
	375	104.2	15.0		82.0	18.693		7.0	
	413	114.7	13.9		79.4	19.702		8.0	
	450	125.0	12.9		77.0	20.544		9.0	
200TPW18-30/4 200TWZ18-30/4 200TWX18-30/4	294	81.7	20.5	1480	73.7	22.284	30	4.8	481
	357	99.2	19.5		78.8	24.074		5.5	
	420	116.7	18.0		82.5	24.971		6.2	
	462	128.3	16.9		81.0	26.267		6.9	
	504	140.0	15.5		79.0	26.946		7.5	
200TPW21-37/4 200TWZ21-37/4 200TWX21-37/4	326	90.6	24.0	1480	78.2	27.264	37	5.2	530
	395	109.7	21.8		81.5	28.791		5.6	
	465	129.2	21.0		83.0	32.060		6.0	
	512	142.2	19.4		81.8	33.089		6.5	
	558	155.0	17.7		79.7	33.769		7.0	
200TPW23-45/4 200TWZ23-45/4 200TWX23-45/4	350	97.2	26.6	1480	72.0	35.236	45	4.2	600
	425	118.1	25.0		77.0	37.601		5.2	
	500	138.9	23.0		79.0	39.668		6.0	
	550	152.8	21.5		78.0	41.312		6.7	
	600	166.7	19.5		76.0	41.951		7.3	
200TPW27-55/4 200TWZ27-55/4 200TWX27-55/4	385	106.9	31.0	1480	73.3	44.370	55	4.7	680
	468	130.0	29.6		76.5	49.345		5.8	
	550	152.8	27.0		80.0	50.583		6.7	
	605	168.1	25.0		79.5	51.844		7.3	
	660	183.3	21.6		73.7	52.710		8.1	
200TPW32-75/4 200TWZ32-75/4 200TWX32-75/4	420	116.7	35.3	1480	73.0	55.344	75	5.2	750
	510	141.7	34.5		76.5	60.692		6.1	
	600	166.7	32.0		80.0	64.593		7.3	
	660	183.3	30.5		79.5	68.568		8.1	
	720	200.0	28.0		73.7	70.431		9.5	
200TPW29-37/4 200TWZ29-37/4 200TWX29-37/4	231	64.2	31.5	1480	68.0	29.160	37	3.6	560
	281	78.1	30.5		72.0	32.437		4.2	
	330	91.7	29.0		75.0	34.771		5.2	
	363	100.8	27.5		76.0	35.793		5.7	
	396	110.0	26		76.0	36.917		6.2	
200TPW31-45/4 200TWZ31-45/4 200TWX31-45/4	263	73.1	35.0	1480	68.0	36.888	45	4.0	640
	319	88.6	34.0		72.0	41.049		5.0	
	375	104.2	32.0		75.0	43.600		6.0	
	413	114.7	30.4		76.0	45.017		6.2	
	450	125.0	28.0		76.0	45.178		6.4	
200TPW36-55/4 200TWZ36-55/4 200TWX36-55/4	294	81.7	39.0	1480	69.0	45.282	55	4.9	720
	357	99.2	38.0		73.0	50.640		5.8	
	420	116.7	36.0		76.0	54.213		6.3	
	462	128.3	34.0		77.0	55.590		6.5	
	504	140.0	31.0		77.0	55.293		6.8	

型号 Type	流量 Capacity Q		扬程 Head H (m)	转速 Speed n (r/min)	泵效率 Eff. η (%)	轴功率 Motor Power Pa (kW)	电机功率 Motor Power PM (kW)	汽蚀余量 (NPSH) _r (m)	重量 Weight (kg)
	(m ³ /h)	(L/s)							
200TPW42-75/4 200TWZ42-75/4 200TWX42-75/4	333	92.5	45.3	1480	70.0	58.723	75	4.0	780
	404	112.2	43.7		74.0	65.013		4.9	
	475	131.9	42.1		77.0	70.770		5.4	
	523	145.3	40.8		78.0	74.548		5.7	
	570	158.3	38.5		78.0	76.667		5.9	
200TPW46-90/4 200TWZ46-90/4 200TWX46-90/4	368	102.2	50.2	1480	71.7	70.210	90	4.2	840
	446	123.9	48.7		75.0	78.917		5.3	
	525	145.8	46.0		77.6	84.805		5.7	
	578	160.6	44.5		78.5	89.286		6.0	
	630	175.0	42.6		79.0	92.574		6.6	
200TPW52-110/4 200TWZ52-110/4 200TWX52-110/4	396	110.0	57.5	1480	74.3	83.510	110	4.8	1116
	481	133.6	55.5		78.5	92.669		5.5	
	566	157.2	52.0		80.0	100.253		5.9	
	623	173.1	49.7		80.0	105.468		6.5	
	679	188.6	47.3		79.0	110.782		8.0	
200TPW57-132/4 200TWZ57-132/4 200TWX57-132/4	420	116.7	61.7	1480	75.0	94.154	132	5.0	1250
	510	141.7	59.6		79.0	104.847		5.8	
	600	166.7	57.0		81.0	115.056		6.2	
	660	183.3	54.2		80.0	121.848		7.3	
	720	200.0	51.4		79.0	127.654		10.0	
200TPW7-7.5/6 200TWZ7-7.5/6 200TWX7-7.5/6	195	54.1	8.0	985	69.0	6.151	7.5	1.7	368
	236	65.7	7.6		77.0	6.358		1.8	
	278	77.3	7.0		80.0	6.631		1.9	
	306	85.0	6.6		77.7	7.081		2.0	
	334	92.7	6.1		76.0	7.299		2.1	
200TPW9-11/6 200TWZ9-11/6 200TWX9-11/6	217	60.3	10.2	985	74.0	8.151	11	1.7	400
	264	73.3	9.6		80.0	8.633		1.9	
	310	86.1	9.0		81.0	9.386		2.0	
	341	94.7	8.3		78.0	9.888		2.1	
	372	103.3	7.6		76.0	10.137		2.2	
200TPW11-15/6 200TWZ11-15/6 200TWX11-15/6	245	68.1	12.5	985	70.0	11.922	15	1.8	475
	298	82.8	11.9		74.0	13.059		1.9	
	350	97.2	11.0		78.0	13.450		2.1	
	385	106.9	10.4		77.0	14.170		2.3	
	420	116.7	9.7		75.0	14.802		2.4	
200TPW13-18.5/6 200TWZ13-18.5/6 200TWX13-18.5/6	259	71.9	14.9	985	72.0	14.606	18.5	1.9	515
	315	87.5	14.1		76.0	15.925		2.1	
	370	102.8	13.0		79.0	16.591		2.4	
	407	113.1	12.1		78.0	17.205		2.4	
	444	123.3	11.1		76.0	17.671		2.6	
200TPW14-22/6 200TWZ14-22/6 200TWX14-22/6	280	77.8	15.5	985	71.0	16.616	22	1.9	546
	340	94.4	15.1		77.0	18.182		2.2	
	400	111.1	14.0		80.0	19.097		2.4	
	440	122.2	13.4		79.0	20.275		2.5	
	480	133.3	12.3		76.0	21.107		2.8	
200TPW18-22/6 200TWZ18-22/6 200TWX18-22/6	217	60.3	19.4	985	68.5	16.747	22	2.3	570
	264	73.3	18.7		72.5	18.556		2.4	
	310	86.1	18.0		75.5	20.140		2.6	
	341	94.7	17.5		76.5	21.257		2.8	
	372	103.3	16.5		76.5	21.722		2.9	
200TPW21-30/6 200TWZ21-30/6 200TWX21-30/6	262	72.8	23.4	985	73.1	22.873	30	2.4	630
	319	88.5	22.5		77.3	25.263		2.6	
	375	104.1	21.0		78.8	27.217		2.9	
	413	114.6	20.0		78.8	28.531		2.9	
	450	124.9	18.9		77.8	29.763		3.1	
200TPW25-37/6 200TWZ25-37/6 200TWX25-37/6	273	75.8	27.1	985	74.0	27.244	37	2.4	725
	332	92.2	26.1		78.0	30.273		2.7	
	390	108.3	25.0		80.0	33.211		2.9	
	429	119.2	23.8		79.0	35.219		3.0	
	468	130.0	22.5		78.0	36.788		3.3	

性能曲线 Characteristic curves

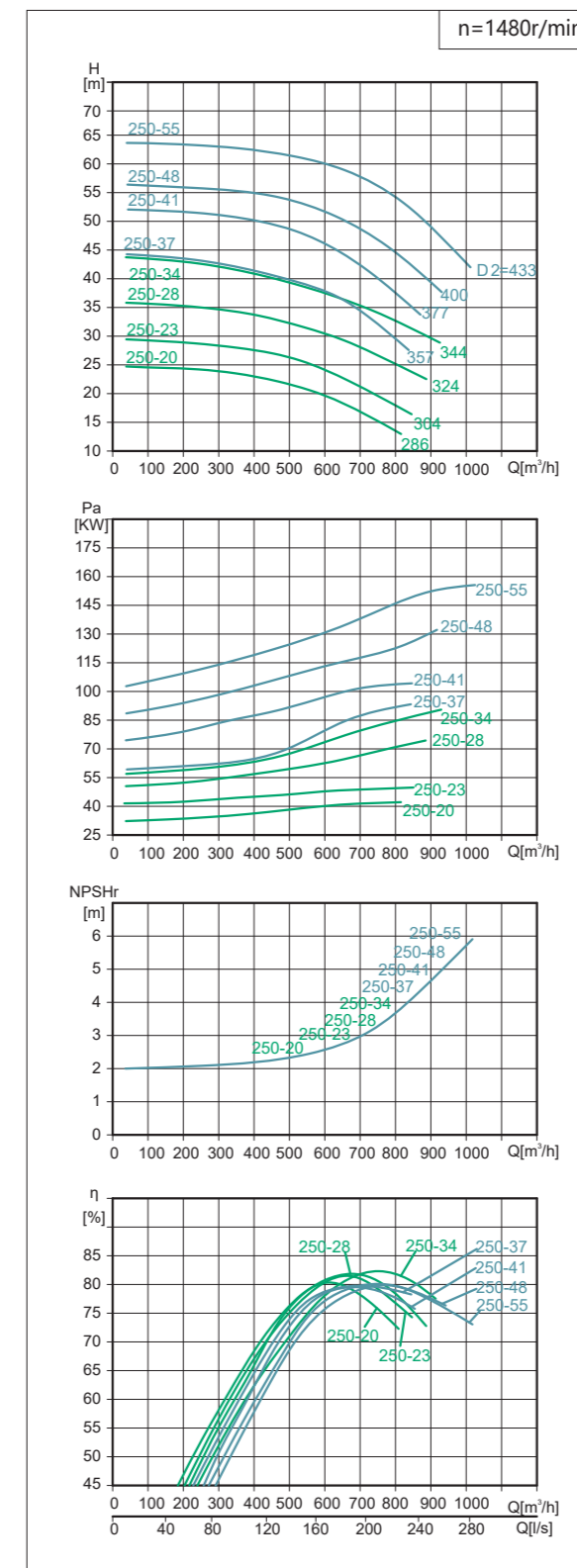


性能参数表

Parameters table

型号 Type	流量 Capacity Q		扬程 Head H (m)	转速 Speed n (r/min)	泵效率 Eff. η (%)	轴功率 Motor Power Pa (kW)	电机功率 Motor Power PM (kW)	汽蚀余量 (NPSH)r (m)	重量 Weight (kg)
	(m³/h)	(L/s)							
250TPW20-45/4 250TWX20-45/4	420	116.7	23.3	1480	70	38.096	45	2.1	630
	510	141.7	21.7		77	39.166		2.3	
	600	166.7	20.0		81	40.370		2.5	
250TPW23-55/4 250TWX23-55/4	660	183.3	18.5	1480	80	41.590	55	2.8	740
	720	200.0	16.5		76	42.596		3.2	
	455	126.4	27.6		73	46.877		2.2	
250TPW28-75/4 250TWX28-75/4	553	153.6	26.2	1480	77	51.275	75	2.4	900
	650	180.6	23.0		82	49.681		2.7	
	715	198.6	20.8		81	50.032		3.1	
250TPW34-90/4 250TWX34-90/4	780	216.7	18.2	1480	75	51.579	90	3.5	1000
	490	136.1	32.5		76	57.100		2.2	
	595	165.3	31.0		81	62.053		2.5	
250TPW37-90/4 250TWX37-90/4	700	194.4	28.0	1480	82	65.134	90	3.0	1150
	770	213.9	25.5		77	69.488		3.4	
	840	233.3	23.5		72	74.710		4.0	
250TPW41-110/4 250TWX41-110/4	525	145.8	38.0	1480	73	74.471	110	2.4	1400
	638	177.2	36.0		79	79.225		2.7	
	750	208.3	34.0		83	83.720		3.3	
250TPW48-132/4 250TWX48-132/4	825	229.2	32.0	1480	82	87.732	132	3.8	1450
	900	250.0	29.5		81	89.319		4.5	
	462	128.3	39.7		72.5	68.938		2.1	
250TPW55-160/4 250TWX55-160/4	561	155.8	38.3	1480	76.0	77.040	160	2.4	1550
	660	183.3	37.0		78.6	84.662		2.6	
	726	201.7	35.1		78.7	88.234		3.1	
250TPW55-160/4 250TWX55-160/4	792	220.0	32.5	1480	78.8	89.012	160	3.6	1951
	490	136.1	49.0		74.0	88.415		2.2	
	595	165.3	45.5		78.0	94.580		2.5	
250TPW55-160/4 250TWX55-160/4	700	194.4	42.0	1480	79.0	101.411	160	3.0	1550
	770	213.9	38.0		78.5	101.571		3.5	
	840	233.3	34.5		75.0	105.294		4.0	
250TPW55-160/4 250TWX55-160/4	504	140.0	54.5	1480	71.5	104.686	160	2.2	1550
	612	170.0	52.3		76.5	114.014		2.6	
	720	200.0	48.0		80.0	117.720		3.1	
250TPW55-160/4 250TWX55-160/4	792	220.0	45.0	1480	78.0	124.512	160	3.6	1550
	864	240.0	41.7		76.0	129.182		4.3	
	560	155.6	61.0		75.0	124.115		2.4	
250TPW55-160/4 250TWX55-160/4	680	188.9	58.0	1480	79.4	135.358	160	2.9	1550
	800	222.2	55.0		82.0	146.220		3.7	
	880	244.4	50.0		79.5	150.818		4.4	
250TPW55-160/4 250TWX55-160/4	960	266.7	45.0	1480	76.0	154.895	160	5.2	1550

性能曲线 Characteristic curves



性能参数表

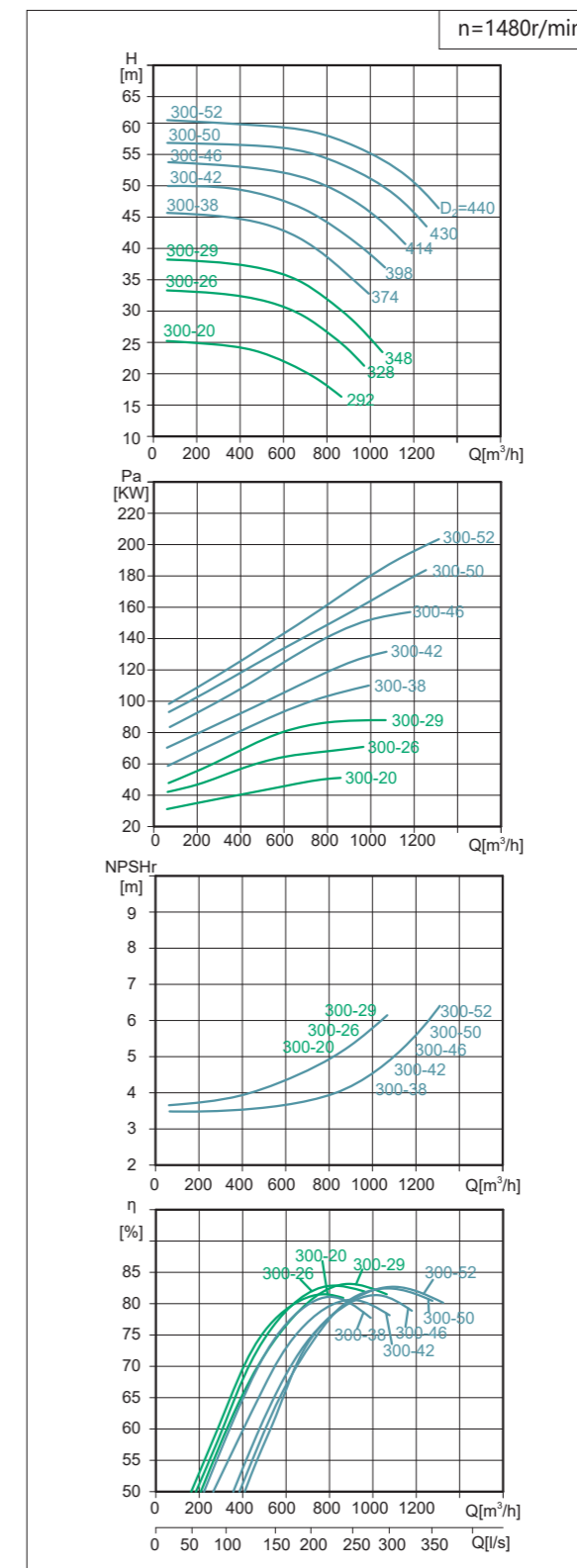
Parameters table

型号 Type	流量 Capacity Q		扬程 Head H (m)	转速 Speed n (r/min)	泵效率 Eff. η (%)	轴功率 Motor Power Pa (kW)	电机功率 Motor Power PM (kW)	汽蚀余量 (NPSH) _r (m)	重量 Weight (kg)	
	(m ³ /h)	(L/s)								
300TPW20-55/4	504	140.0	24.0	1480	75.0	43.949	55	8.3	850	
	612	170.0	22.5		80.0	46.904		9.2		
300TWX20-55/4	720	200.0	20.0		82.0	47.854		10.2		1115
	792	220.0	18.5		81.0	49.292		10.9		
300TPW26-75/4	581	161.4	31.1		76.0	64.787		8.0	1010	
	706	196.1	28.5		81.0	67.691		8.8		
	300TWX26-75/4	830	230.6		26.0	83.0		70.850		10.2
		913	253.6		23.5	82.0		71.300		10.7
300TPW29-90/4	637	176.9	36.1	77.0	81.381	7.4	1110			
	774	215.0	32.9	82.0	84.623	8.3				
	300TWX29-90/4	910	252.8	29.0	85.0	84.603		9.8		
		1001	278.1	25.6	83.0	84.132		10.7		
300TPW38-110/4	560	155.6	43.7	74.0	90.116	8.0	1520			
	680	188.9	41.6	79.0	97.576	8.2				
	300TWX38-110/4	800	222.2	38.0	81.0	102.272		9.1		
		880	244.4	35.1	80.0	105.212		9.8		
300TPW42-132/4	616	171.1	47.7	74.0	108.202	7.4	1620			
	748	207.8	45.6	79.0	117.654	8.2				
	300TWX42-132/4	880	244.4	42.0	81.0	124.341		9.5		
		968	268.9	38.9	80.0	128.263		10.0		
300TPW46-160/4	687	190.8	51.7	73.0	132.584	7.2	2150			
	835	231.9	49.6	78.0	144.691	8.1				
	300TWX46-160/4	982	272.8	46.0	81.0	151.968		9.4		
		1080	300.0	42.9	82.0	153.969		10.3		
300TPW50-185/4	724	201.1	55.0	77.0	140.921	7.0	2200			
	880	244.4	53.3	81.0	157.794	8.0				
	300TWX50-185/4	1035	287.5	50.0	83.0	169.902		9.3		
		1139	316.4	47.0	82.0	177.899		10.5		
300TPW52-200/4	766	212.8	57.6	78.0	154.143	6.8	2020			
	930	258.3	56.0	82.0	173.071	8.0				
	300TWX52-200/4	1094	303.9	52.0	84.0	184.548		9.8		
		1203	334.2	50.0	83.0	197.480		11.2		
300TPW52-200/4	1313	364.0	45.0	81.0	198.774	12.5	2460			

性能曲线

Characteristic curves

TPW/TWZ/TWX系列改进型卧式端吸循环泵
TPW/TWZ/TWX series advanced horizontal end suction circulation pump



性能参数表

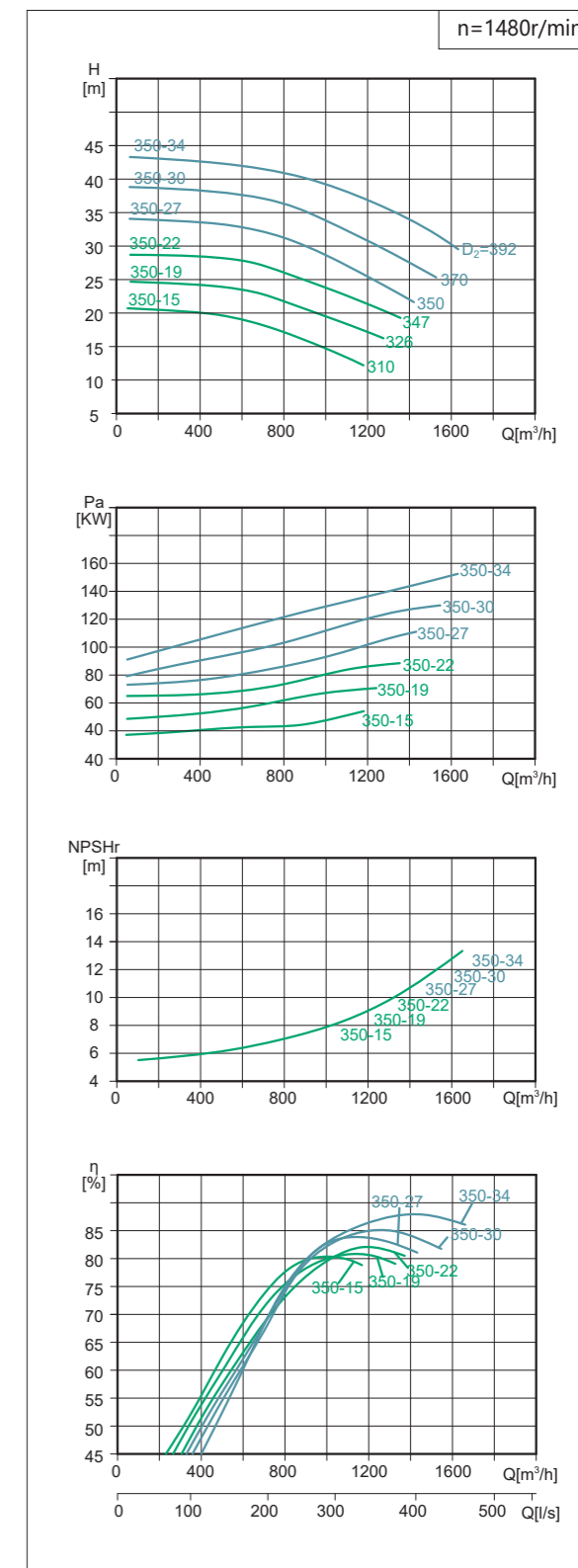
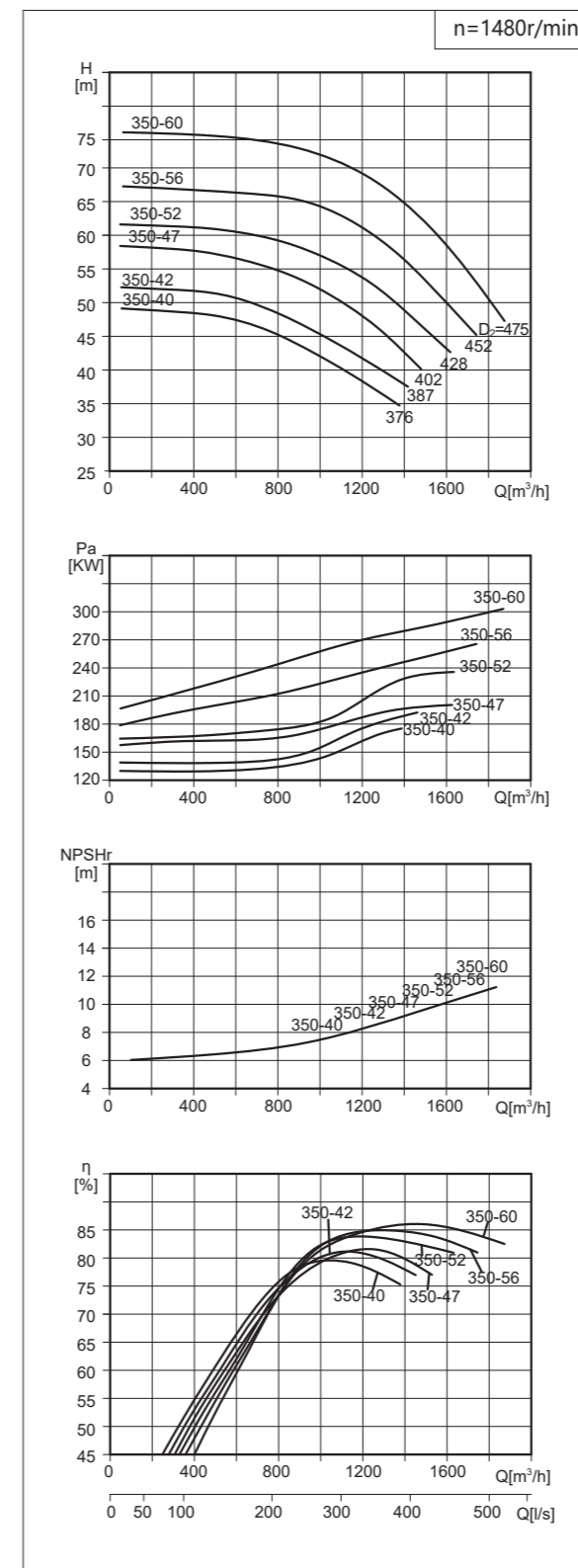
Parameters table

型号 Type	流量 Capacity Q		扬程 Head H (m)	转速 Speed n (r/min)	泵效率 Eff. η (%)	轴功率 Motor Power Pa (kW)	电机功率 Motor Power PM (kW)	汽蚀余量 (NPSH)r (m)	重量 Weight (kg)
	(m³/h)	(L/s)							
350TPW15-55/4 350TWX15-55/4	672	186.7	17.0	1480	72.0	43.237	55	8.5	1450
	816	226.7	16.0		77.0	46.205		9.3	
	960	266.7	15.0		80.0	49.050		10.2	
	1056	293.3	14.0		80.0	50.358		11.0	
350TPW19-75/4 350TWX19-75/4	1152	320.0	13.0	1480	79.0	51.658	75	12.0	1590
	742	206.1	21.5		71.0	61.228		8.9	
	901	250.3	20.0		78.0	62.954		9.9	
	1060	294.4	19.0		81.0	67.755		11.0	
350TPW22-90/4 350TWX22-90/4	1166	323.9	18.0	1480	81.0	70.608	90	12.1	1917
	1272	353.3	17.0		80.0	73.657		12.5	
	840	233.3	25.0		75.0	76.300		9.5	
	1020	283.3	23.5		80.0	81.648		10.8	
350TPW27-110/4 350TWX27-110/4	1200	333.3	22.0	1480	83.0	86.675	110	12.3	2010
	1320	366.7	20.0		82.5	87.200		13.0	
	1440	400.0	17.0		80.0	83.385		14.0	
	798	221.7	31.5		75.0	91.331		12.0	
350TPW30-132/4 350TWX30-132/4	969	269.2	29.0	1480	81.0	94.537	132	12.8	2140
	1140	316.7	27.0		84.0	99.852		14.5	
	1254	348.3	25.5		83.5	104.356		15.5	
	1368	380.0	23.0		82.0	104.560		16.5	
350TPW34-160/4 350TWX34-160/4	889	246.9	35.0	1480	80.0	105.985	160	13.0	2220
	1080	300.0	32.0		84.0	112.114		14.0	
	1270	352.8	30.0		85.0	122.144		15.0	
	1397	388.1	28.0		84.0	126.894		16.0	
350TPW40-185/4 350TWX40-185/4	1524	423.3	25.5	1480	83.0	127.589	185	17.0	2260
	980	272.2	39.0		83.0	125.481		13.2	
	1190	330.6	37.0		86.0	139.514		14.4	
	1400	388.9	34.0		88.0	147.398		16.0	
350TPW42-200/4 350TWX42-200/4	1540	427.8	31.0	1480	87.0	149.530	200	17.3	2330
	1680	466.7	28.0		83.0	154.439		18.5	
	805	223.6	46.0		76.0	132.772		8.6	
	978	271.7	43.0		79.0	145.060		9.5	
350TPW47-220/4 350TWX47-220/4	1150	319.4	40.0	1480	80.0	156.688	220	10.3	2500
	1265	351.4	38.0		78.0	167.937		10.8	
	1380	383.3	36.0		76.0	178.129		11.4	
	1440	400.0	38.0		77.0	193.652		11.7	
350TPW52-250/4 350TWX52-250/4	840	233.3	48.0	1480	77.0	142.691	250	8.6	2650
	1020	283.3	45.0		80.0	156.347		9.3	
	1200	333.3	42.0		81.0	169.556		10.3	
	1320	366.7	40.0		79.0	182.127		11.2	
350TPW56-280/4 350TWX56-280/4	1440	400.0	38.0	1480	77.0	193.652	280	11.7	2770
	875	243.1	53.0		76.0	166.279		8.8	
	1063	295.3	50.0		81.0	178.807		9.6	
	1250	347.2	47.0		82.0	195.236		10.7	
350TPW60-315/4 350TWX60-315/4	1375	381.9	43.0	1480	80.5	200.144	315	11.3	2880
	1500	416.7	39.0		79.0	201.788		12.0	
	910	252.8	57.0		81.0	174.501		9.0	
	1105	306.9	55.0		83.0	199.532		10.0	
350TPW60-315/4 350TWX60-315/4	1300	361.1	52.0	1480	84.0	219.298	315	11.0	3164
	1430	397.2	49.0		83.0	230.049		11.6	
	1560	433.3	44.5		82.0	230.695		12.4	
	980	272.2	65.0		82.0	211.686		9.6	
350TPW60-315/4 350TWX60-315/4	1190	330.6	61.0	1480	85.0	232.715	315	10.2	3293
	1400	388.9	56.0		85.5	249.871		11.7	
	1540	427.8	51.0		85.0	251.790		12.2	
	1680	466.7	47.0		82.0	262.398		12.8	
350TPW60-315/4 350TWX60-315/4	1050	291.7	72.5	1480	82.0	252.976	315	9.7	3412
	1275	354.2	67.5		85.0	275.906		10.8	
	1500	416.7	60.0		87.0	281.897		12.0	
	1650	458.3	56.5		86.0	295.393		12.6	
1800	500.0	50.0	82.0	299.085	13.7				

性能曲线

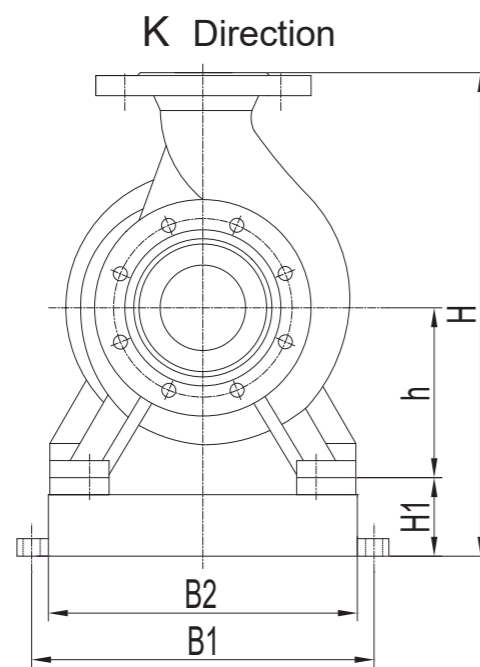
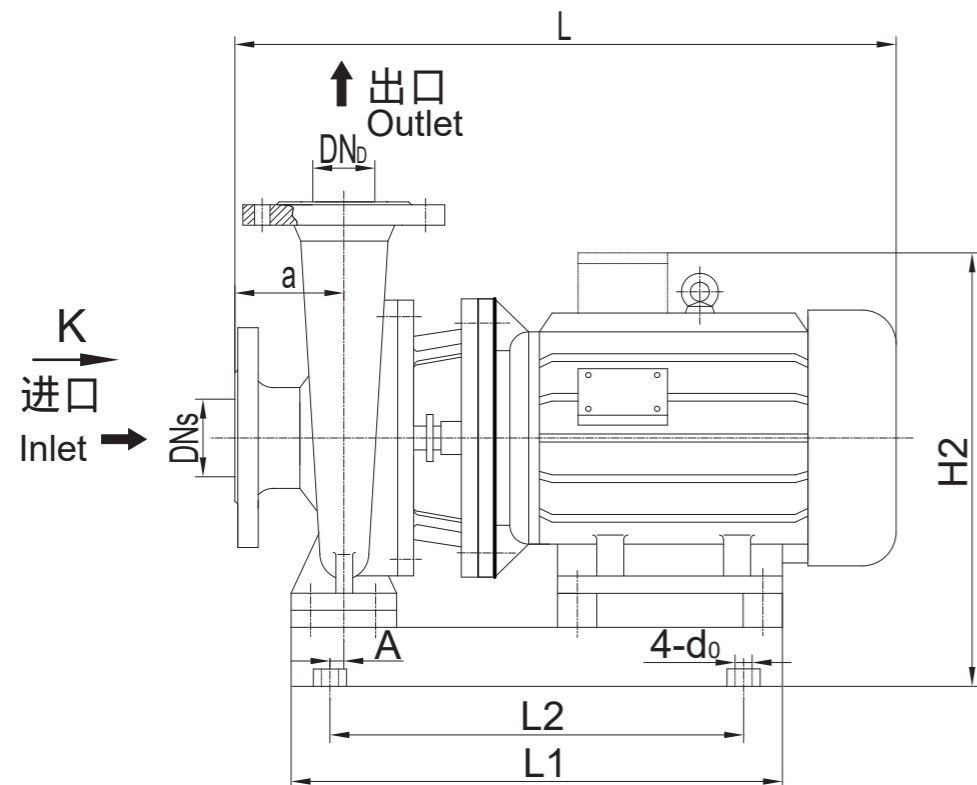
Characteristic curves

TPW/TWZ/TWX系列改进型卧式端吸循环泵
TPW/TWZ/TWX series advanced horizontal end suction circulation pump



TPW外形安装尺寸图

TPW Outline Installation Dimension Figure



TPW外形安装尺寸表

TPW/TWZ/TWX系列改进型卧式端吸循环泵
TPW/TWZ/TWX series advanced horizontal end suction circulation pump

TPW Outline installation dimension table

泵型号 PUMP TYPE	机座号 Motor Frame No.	外型尺寸 Outline Dimension (mm)				安装尺寸 Installation Dimension (mm)									
		L	B2	H	H2	DN _s	DN _b	a	L ₁	L ₂	B ₁	H ₁	h	4-d ₀	A
32TPW12-0.75/2	80M	457	250	330	314	40	32	90	410	360	200	60	120	4-Φ14	25
32TPW15-1.1/2	80M	457	250	330	314	40	32	90	410	360	200	60	120	4-Φ14	25
32TPW20-1.5/2	90S	467	250	330	340	40	32	90	410	360	200	60	120	4-Φ14	25
32TPW27-2.2/2	90L	497	250	362	352	40	32	90	410	360	200	60	132	4-Φ14	25
32TPW35-3/2	100L	542	250	362	362	40	32	90	410	360	200	60	132	4-Φ14	25
32TPW36-4/2	112M	562	250	400	408	40	32	100	410	360	200	60	160	4-Φ14	25
32TPW46-5.5/2	132S	612	330	400	433	40	32	100	570	520	260	60	160	4-Φ16	25
32TPW12-0.75/4	80M	467	250	400	354	40	32	100	410	360	200	60	160	4-Φ14	25
40TPW14-1.1/2	80M	458	250	352	326	50	40	90	410	360	200	60	132	4-Φ14	25
40TPW18-1.5/2	90S	468	250	352	352	50	40	90	410	360	200	60	132	4-Φ14	25
40TPW23-2.2/2	90L	493	250	352	352	50	40	90	410	360	200	60	132	4-Φ14	25
40TPW28-3/2	100L	544	250	362	362	50	40	90	410	360	200	60	132	4-Φ14	25
40TPW34-4/2	112M	559	250	362	380	50	40	90	410	360	200	60	132	4-Φ14	25
40TPW35-5.5/2	132S	617	330	440	433	50	40	100	570	520	260	60	160	4-Φ16	25
40TPW43-7.5/2	132S	617	330	440	433	50	40	100	570	520	260	60	160	4-Φ16	25
40TPW9-0.75/4	80M	472	250	440	354	50	40	100	410	360	200	60	160	4-Φ14	25
40TPW12-1.1/4	90S	482	250	440	380	50	40	100	410	360	200	60	160	4-Φ14	25
50TPW14-1.1/2	80M	461	250	362	326	65	50	90	410	360	200	60	132	4-Φ14	25
50TPW16-1.5/2	90S	471	250	362	352	65	50	90	410	360	200	60	132	4-Φ14	25
50TPW19-2.2/2	90L	496	250	362	352	65	50	90	410	360	200	60	132	4-Φ14	25
50TPW24-3/2	100L	541	250	362	362	65	50	90	410	360	200	60	132	4-Φ14	25
50TPW27-4/2	112M	567	250	362	380	65	50	100	410	360	200	60	132	4-Φ14	25
50TPW34-5.5/2	132S	617	330	362	405	65	50	100	570	520	260	60	132	4-Φ16	25
50TPW37-7.5/2	132S	630	330	440	433	65	50	100	570	520	260	60	160	4-Φ16	25
50TPW47-11/2	160M	755	330	440	480	65	50	100	570	520	260	60	160	4-Φ16	25
50TPW58-15/2	160M	754	330	490	500	65	50	100	570	520	260	60	180	4-Φ16	25
50TPW68-18.5/2	160L	809	420	530	540	65	50	100	720	600	480	100	180	4-Φ22	10
50TPW76-22/2	180M	839	420	530	555	65	50	100	720	600	480	100	180	4-Φ22	10
50TPW9-0.75/4	80M	472	250	362	326	65	50	100	410	360	200	60	132	4-Φ14	25



TPW外形安装尺寸表

TPW Outline installation dimension table

泵型号 PUMP TYPE	机座号 Motor Frame No.	外型尺寸 Outline Dimension (mm)				安装尺寸 Installation Dimension (mm)										
		L	B2	H	H2	DN _s	DN _D	a	L ₁	L ₂	B ₁	H ₁	h	4-d ₀	A	
50TPW8-0.75/4	80M	485	250	440	354	65	50	100	410	360	200	60	160	4-Φ14	25	
50TPW10-1.1/4	90S	495	250	440	380	65	50	100	410	360	200	60	160	4-Φ14	25	
50TPW11-1.5/4	90L	520	250	440	380	65	50	100	410	360	200	60	160	4-Φ14	25	
50TPW15-2.2/4	100L	564	330	490	410	65	50	100	570	520	260	60	180	4-Φ16	35	
50TPW19-3/4	100L	564	330	490	410	65	50	100	570	520	260	60	180	4-Φ16	35	
65TPW15-2.2/2	90L	517	250	382	352	80	65	105	410	360	200	60	132	4-Φ14	25	
65TPW18-3/2	100L	562	250	382	362	80	65	105	410	360	200	60	132	4-Φ14	25	
65TPW22-4/2	112M	577	330	382	380	80	65	105	570	520	260	60	132	4-Φ16	25	
65TPW26-5.5/2	132S	624	330	402	415	80	65	105	570	520	260	60	142	4-Φ16	25	
65TPW33-7.5/2	132S	624	330	402	415	80	65	105	570	520	260	60	142	4-Φ16	25	
65TPW34-11/2	160M	758	330	477	500	80	65	105	570	520	260	60	180	4-Φ16	35	
65TPW45-15/2	160M	758	330	477	500	80	65	105	570	520	260	60	180	4-Φ16	35	
65TPW52-18.5/2	160L	813	420	517	540	80	65	105	720	600	480	100	180	4-Φ22	0	
65TPW62-22/2	180M	843	420	517	555	80	65	105	720	600	480	100	180	4-Φ22	0	
65TPW76-30/2	200L	913	420	550	605	80	65	105	720	600	480	100	200	4-Φ22	0	
65TPW84-37/2	200L	913	420	550	605	80	65	105	720	600	480	100	200	4-Φ22	0	
65TPW7-0.75/4	80M	479	250	402	336	80	65	105	410	360	200	60	142	4-Φ14	25	
65TPW8-1.1/4	90S	489	250	402	362	80	65	105	410	360	200	60	142	4-Φ14	25	
65TPW9-1.5/4	90L	523	330	477	400	80	65	105	410	360	200	60	180	4-Φ16	35	
65TPW12-2.2/4	100L	568	330	477	410	80	65	105	570	520	260	60	180	4-Φ16	35	
65TPW15-3/4	100L	568	330	477	410	80	65	105	570	520	260	60	180	4-Φ16	35	
65TPW16-3/4	100L	568	330	510	430	80	65	105	570	520	260	60	200	4-Φ16	35	
65TPW20-4/4	112M	583	330	510	448	80	65	105	570	520	260	60	200	4-Φ16	35	
80TPW15-3/2	100L	577	250	412	362	100	80	120	410	360	200	60	132	4-Φ14	25	
80TPW19-4/2	112M	592	330	412	380	100	80	120	570	520	260	60	132	4-Φ16	25	
80TPW21-5.5/2	132S	642	330	412	405	100	80	120	570	520	260	60	132	4-Φ16	25	
80TPW20-7.5/2	132S	650	330	470	433	100	80	120	570	520	260	60	160	4-Φ16	35	
80TPW27-11/2	160M	775	330	470	480	100	80	120	570	520	260	60	160	4-Φ16	35	
80TPW33-15/2	160M	775	330	470	480	100	80	120	570	520	260	60	160	4-Φ16	35	
80TPW37-18.5/2	160L	832	420	575	560	100	80	120	720	600	480	100	200	4-Φ22	0	
80TPW42-22/2	180M	862	420	575	575	100	80	120	720	600	480	100	200	4-Φ22	0	

泵型号 PUMP TYPE	机座号 Motor Frame No.	外型尺寸 Outline Dimension (mm)				安装尺寸 Installation Dimension (mm)										
		L	B2	H	H2	DN _s	DN _D	a	L ₁	L ₂	B ₁	H ₁	h	4-d ₀	A	
80TPW57-30/2	200L	932	420	575	605	100	80	120	720	600	480	100	200	4-Φ22	0	
80TPW62-37/2	200L	932	420	575	605	100	80	120	720	600	480	100	200	4-Φ22	0	
80TPW71-30/2	200L	934	420	575	605	100	80	130	720	600	480	100	200	4-Φ22	0	
80TPW79-37/2	200L	934	420	575	605	100	80	130	720	600	480	100	200	4-Φ22	0	
80TPW80-45/2	225M	1013	560	680	680	100	80	140	950	700	620	100	250	4-Φ22	-52.5	
80TPW91-55/2	250M	1078	560	680	715	100	80	140	950	700	620	100	250	4-Φ22	-52.5	
80TPW112-75/2	280S	1138	560	680	780	100	80	140	950	700	620	100	250	4-Φ22	-52.5	
80TPW127-90/2	280M	1188	560	710	780	100	80	140	950	700	620	100	250	4-Φ22	-52.5	
80TPW5-0.75/4	80M	497	250	412	326	100	80	120	410	360	200	60	132	4-Φ14	25	
80TPW6-1.1/4	90S	515	330	470	380	100	80	120	570	520	260	60	160	4-Φ16	35	
80TPW7-1.5/4	90L	540	330	470	380	100	80	120	570	520	260	60	160	4-Φ16	35	
80TPW8-2.2/4	100L	585	330	470	390	100	80	120	570	520	260	60	160	4-Φ16	35	
80TPW9-2.2/4	100L	587	330	535	430	100	80	120	570	520	260	60	200	4-Φ16	35	
80TPW11-3/4	100L	587	330	535	430	100	80	120	570	520	260	60	200	4-Φ16	35	
80TPW15-4/4	112M	602	330	535	448	100	80	120	570	520	260	60	200	4-Φ16	35	
80TPW14-3/4	100L	589	330	535	430	100	80	130	570	520	260	60	200	4-Φ16	35	
80TPW17-4/4	112M	604	330	535	448	100	80	130	570	520	260	60	200	4-Φ16	35	
80TPW21-5.5/4	132S	654	330	535	473	100	80	130	570	520	260	60	200	4-Φ16	35	
80TPW18-5.5/4	132S	683	330	640	528	100	80	140	570	520	260	60	250	4-Φ22	47.5	
80TPW23-7.5/4	132M	723	330	640	563	100	80	140	570	520	260	60	250	4-Φ22	47.5	
80TPW30-11/4	160M	808	420	680	610	100	80	140	720	600	480	100	250	4-Φ22	12.5	
100TPW15-4/2	112M	597	330	470	408	125	100	120	570	520	260	60	160	4-Φ16	25	
100TPW18-5.5/2	132S	647	330	470	433	125	100	120	570	520	260	60	160	4-Φ16	25	
100TPW20-7.5/2	132S	647	330	470	433	125	100	120	570	520	260	60	160	4-Φ16	25	
100TPW21-11/2	160M	800	330	515	500	125	100	140	570	520	260	60	180	4-Φ16	35	
100TPW25-15/2	160M	800	330	515	500	125	100	140	570	520	260	60	180	4-Φ16	35	
100TPW30-18.5/2	160L	855	420	555	540	125	100	140	720	600	480	100	180	4-Φ22	0	
100TPW32-22/2	180M	885	420	555	555	125	100	140	720	600	480	100	180	4-Φ22	0	
100TPW37-22/2	180M	880.5	420	590	575	125	100	140	720	600	480	100	200	4-Φ22	0	
100TPW45-30/2	200L	950.5	420	590	605	125	100	140	720	600	480	100	200	4-Φ22	0	
100TPW53-37/2	200L	950.5	420	590	605	125	100	140	720	600	480	100	200	4-Φ22	0	

TPW外形安装尺寸表

TPW Outline installation dimension table

泵型号 PUMP TYPE	机座号 Motor Frame No.	外型尺寸 Outline Dimension (mm)				安装尺寸 Installation Dimension (mm)									
		L	B2	H	H2	DN _s	DN _b	a	L ₁	L ₂	B ₁	H ₁	h	4-φd	A
100TPW60-45/2	225M	1009	560	630	655	125	100	140	950	700	620	100	225	4-Φ22	-52.5
100TPW67-55/2	250M	1074	560	630	690	125	100	140	950	700	620	100	225	4-Φ22	-52.5
100TPW72-75/2	280S	1134	560	630	725	125	100	140	950	700	620	100	225	4-Φ22	-52.5
100TPW83-75/2	280S	1153	560	720	745	125	100	140	950	700	620	100	250	4-Φ22	-52.5
100TPW89-90/2	280M	1203	560	720	780	125	100	140	950	700	620	100	250	4-Φ22	-52.5
100TPW102-110/2	315S-2	1408	660	740	965	125	100	140	1040	800	720	120	250	4-Φ28	-47.5
100TPW110-132/2	315M-2	1518	760	740	965	125	100	140	1300	1000	820	120	250	4-Φ28	-77.5
100TPW121-160/2	315L-2	1518	760	740	965	125	100	140	1300	1000	820	120	250	4-Φ28	-77.5
100TPW4-0.75/4	80M	502	250	470	354	125	100	120	410	360	200	60	160	4-Φ14	25
100TPW5-1.1/4	90S	540	250	515	400	125	100	140	410	360	200	60	180	4-Φ16	35
100TPW6-1.5/4	90L	565	250	515	400	125	100	140	410	360	200	60	180	4-Φ16	35
100TPW7-2.2/4	100L	610	330	515	410	125	100	140	570	520	260	60	180	4-Φ16	35
100TPW8-2.2/4	100L	605.5	330	550	430	125	100	140	570	520	260	60	200	4-Φ16	35
100TPW10-3/4	100L	605.5	330	550	430	125	100	140	570	520	260	60	200	4-Φ16	35
100TPW12-4/4	112M	620.5	330	550	448	125	100	140	570	520	260	60	200	4-Φ16	35
100TPW15-5.5/4	132S	679	330	590	538	125	100	140	570	520	260	60	225	4-Φ22	47.5
100TPW18-7.5/4	132M	719	330	590	538	125	100	140	570	520	260	60	225	4-Φ22	47.5
100TPW23-11/4	160M	823	420	720	610	125	100	140	720	600	480	100	250	4-Φ22	12.5
100TPW26-15/4	160L	878	420	720	610	125	100	140	720	600	480	100	250	4-Φ22	12.5
100TPW30-18.5/4	180M	908	420	720	625	125	100	140	720	600	480	100	250	4-Φ22	12.5
100TPW31-22/4	180L	948	420	720	625	125	100	140	720	600	480	100	250	4-Φ22	12.5
125TPW25-22/2	180M	904.5	420	625	575	150	125	160	720	600	480	100	200	4-Φ22	12.5
125TPW34-30/2	200L	974.5	420	625	605	150	125	160	720	600	480	100	200	4-Φ22	12.5
125TPW40-37/2	200L	974.5	420	625	605	150	125	160	720	600	480	100	200	4-Φ22	12.5
125TPW46-45/2	225M	1035	560	680	655	150	125	160	950	700	620	100	225	4-Φ22	-52.5
125TPW49-55/2	250M	1112	560	730	715	150	125	160	950	700	620	100	250	4-Φ22	-52.5
125TWZ53-55/2	250M	1107	560	760	745	150	125	160	950	700	620	130	250	4-Φ22	-52.5
125TPW60-75/2	280S	1172	560	760	780	150	125	160	950	700	620	130	250	4-Φ22	-52.5
125TPW70-90/2	280M	1222	560	760	780	150	125	160	950	700	620	130	250	4-Φ22	-52.5
125TPW77-110/2	315S-2	1427	660	815	965	150	125	160	1040	800	720	185	250	4-Φ28	-47.5
125TPW98-132/2	315M-2	1534	760	835	965	150	125	160	1300	1000	820	155	280	4-Φ28	-77.5
125TPW108-160/2	315L-2	1534	760	835	965	150	125	160	1300	1000	820	155	280	4-Φ28	-77.5
125TPW121-185/2	315L-2	1534	760	835	965	150	125	160	1300	1000	820	155	280	4-Φ28	-77.5

泵型号 PUMP TYPE	机座号 Motor Frame No.	外型尺寸 Outline Dimension (mm)				安装尺寸 Installation Dimension (mm)									
		L	B2	H	H2	DN _s	DN _b	a	L ₁	L ₂	B ₁	H ₁	h	4-φd	A
125TPW130-200/2	315L-2	1534	760	835	965	150	125	160	1300	1000	820	155	280	4-Φ28	-77.5
125TPW6-2.2/4	100L	629.5	330	585	430	150	125	160	570	520	260	60	200	4-Φ22	47.5
125TPW7-3/4	100L	629.5	330	585	430	150	125	160	570	520	260	60	200	4-Φ22	47.5
125TPW9-4/4	112M	644.5	330	585	448	150	125	160	570	520	260	60	200	4-Φ22	47.5
125TPW11-5.5/4	132S	705	330	640	498	150	125	160	570	520	260	60	225	4-Φ22	47.5
125TPW12-7.5/4	132M	745	330	640	498	150	125	160	570	520	260	100	225	4-Φ22	47.5
125TPW14-7.5/4	132M	757	330	695	563	150	125	160	570	520	260	65	250	4-Φ22	47.5
125TPW17-11/4	160M	842	420	730	610	150	125	160	720	600	480	100	250	4-Φ22	12.5
125TPW20-15/4	160L	897	420	730	610	150	125	160	720	600	480	100	250	4-Φ22	12.5
125TPW26-18.5/4	180M	924	420	780	655	150	125	160	720	600	480	100	280	4-Φ22	12.5
125TPW28-22/4	180L	964	420	780	655	150	125	160	720	600	480	100	280	4-Φ22	12.5
125TPW32-30/4	200L	994	420	780	685	150	125	160	720	600	480	100	280	4-Φ22	12.5
125TPW5-1.5/6	100L	640	330	640	455	150	125	160	570	520	260	60	225	4-Φ22	47.5
125TPW6-2.2/6	112M	667	330	690	498	150	125	160	570	520	260	60	250	4-Φ22	47.5
125TPW7-3/6	132S	717	330	690	523	150	125	160	570	520	260	60	250	4-Φ22	47.5
125TPW8-4/6	132M	757	330	690	523	150	125	160	570	520	260	60	250	4-Φ22	47.5
125TPW12-5.5/6	132M	754	330	740	553	150	125	160	570	520	260	60	280	4-Φ22	47.5
125TPW14-7.5/6	160M	839	420	780	640	150	125	160	720	600	480	100	280	4-Φ22	12.5
150TPW41-75/2	280S	1221	560	760	780	200	150	200	950	700	620	120	280	4-Φ22	40
150TPW48-90/2	280M	1271	560	760	780	200	150	200	950	700	620	120	280	4-Φ22	40
150TPW55-110/2	315S	1476	660	795	965	200	150	200	1040	800	720	155	280	4-Φ28	40
150TPW11-11/4	160M	871	420	740	640	200	150	200	720	600	480	100	280	4-Φ22	40
150TPW14-15/4	160L	926	420	740	640	200	150	200	720	600	480	100	280	4-Φ22	40
150TPW13-11/4	160M	860	420	820	640	200	150	180	720	600	480	100	280	4-Φ22	40
150TPW16-15/4	160L	915	420	820	640	200	150	180	720	600	480	100	280	4-Φ22	40
150TPW18-18.5/4	180M	945	420	820	655	200	150	180	720	600	480	100	280	4-Φ22	40
150TPW19-18.5/4	180M	941	420	840	655	200	150	180	720	600	480	100	280	4-Φ22	40
150TPW22-22/4	180L	981	420	840	655	200	150	180	720	600	480	100	280	4-Φ22	40
150TPW28-30/4	200L	1011	560	840	685	200	150	180	950	700	620	100	280	4-Φ22	-25
150TPW32-37/4	225S	1026	560	840	710	200	150	180	950	700	620	100	280	4-Φ22	-25
150TPW34-45/4	225M	1061	560	840	710	200	150	180	950	700	620	100	280	4-Φ22	-25
150TPW41-45/4	225M	1068	560	935	765	200	150	180	950	700	620	100	335	4-Φ22	-25
150TPW43-55/4	250M	1133	560	935	800	200	150	180	950	700	620	100	335	4-Φ22	-25
150TPW51-75/4	280S	1193	560	935	835	200	150	180	950	700	620	100	335	4-Φ22	-25
150TPW57-90/4	280M	1243	560	935	835	200	150	180	950	700	620	100	335	4-Φ22	-25
150TPW4-2.2/6	112M	685	330	780	528	200	150	180	570	520	260	60	280	4-Φ22	75
150TPW5-3/6	132S	735	330	780	553	200	150	180	570	520	260	60	280	4-Φ22	75

TPW外形安装尺寸表

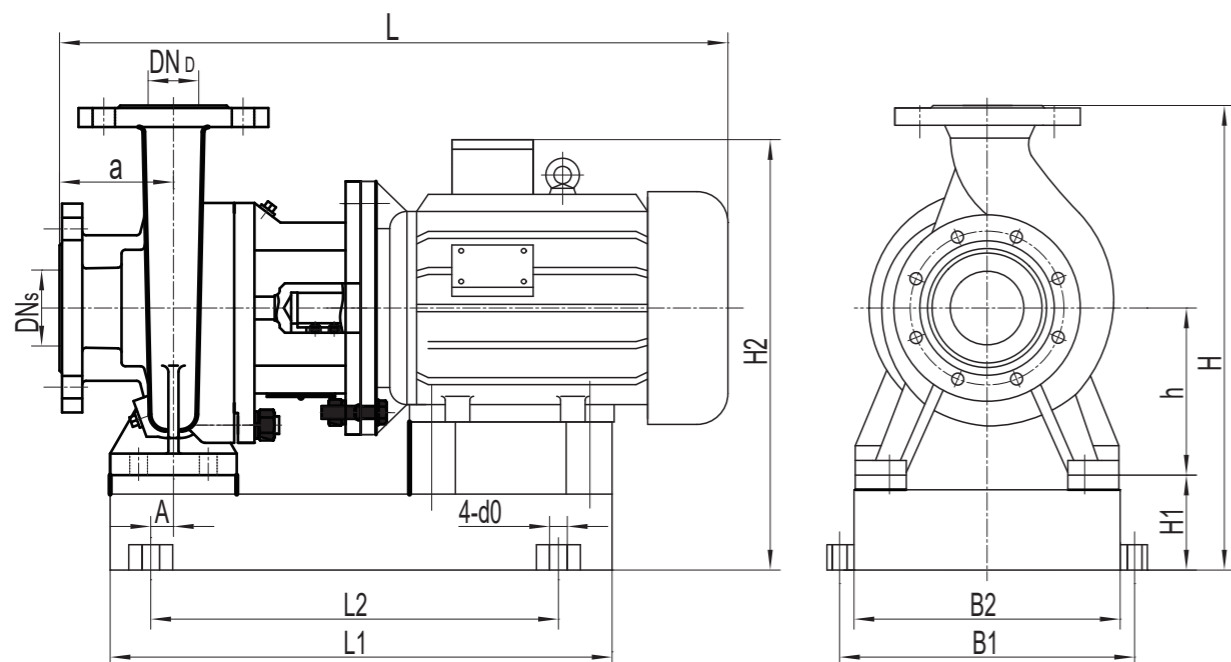
TPW Outline installation dimension table

泵型号 PUMP TYPE	机座号 Motor Frame No.	外型尺寸 Outline Dimension (mm)				安装尺寸 Installation Dimension (mm)									
		L	B ₂	H	H ₂	DN _s	DN _D	a	L ₁	L ₂	B ₁	H ₁	h	4-d ₀	A
150TPW6-4/6	132M	775	330	780	553	200	150	180	570	520	260	60	280	4-Φ22	75
150TPW8-5.5/6	132M	775	330	780	553	200	150	180	570	520	260	60	280	4-Φ22	75
150TPW9-5.5/6	132M	771	330	800	553	200	150	180	570	520	260	60	280	4-Φ22	75
150TPW11-7.5/6	160M	856	420	840	640	200	150	180	720	600	480	100	280	4-Φ22	40
150TPW14-11/6	160L	911	420	840	640	200	150	180	720	600	480	100	280	4-Φ22	40
150TPW17-15/6	180L	988	420	935	710	200	150	180	720	600	480	100	335	4-Φ22	40
150TPW20-18.5/6	200L	1018	560	935	740	200	150	180	950	700	620	100	335	4-Φ22	-25
150TPW23-22/6	200L	1018	560	935	740	200	150	180	950	700	620	100	335	4-Φ22	-25
150TPW26-30/6	225M	1068	560	935	765	200	150	180	950	700	620	100	335	4-Φ22	-25
200TPW10-11/4	160M	910	420	815	675	250	200	220	720	600	480	100	280	4-Φ22	40
200TPW12-15/4	160L	965	420	815	675	250	200	220	720	600	480	100	280	4-Φ22	40
200TPW14-18.5/4	180M	995	420	945	690	250	200	220	720	600	480	100	315	4-Φ22	40
200TPW15-22/4	180L	1035	420	945	690	250	200	220	720	600	480	100	315	4-Φ22	40
200TPW18-30/4	200L	1065	560	945	720	250	200	220	950	700	620	100	315	4-Φ22	-25
200TPW21-37/4	225S	1080	560	945	745	250	200	220	950	700	620	100	315	4-Φ22	-25
200TPW23-45/4	225M	1115	560	1015	785	250	200	220	950	700	620	100	355	4-Φ22	-25
200TPW27-55/4	250M	1180	560	1015	820	250	200	220	950	700	620	100	355	4-Φ22	-25
200TPW32-75/4	280S	1240	560	1015	855	250	200	220	950	700	620	100	355	4-Φ22	-25
200TPW29-37/4	225S	1086	560	1015	785	250	200	220	950	700	620	100	355	4-Φ22	-25
200TPW31-45/4	225M	1121	560	1015	785	250	200	220	950	700	620	100	355	4-Φ22	-25
200TPW36-55/4	250M	1186	560	1015	820	250	200	220	950	700	620	100	355	4-Φ22	-25
200TPW42-75/4	280S	1246	560	1015	855	250	200	220	950	700	620	100	355	4-Φ22	-25
200TPW46-90/4	280M	1296	660	1035	875	250	200	220	1040	800	720	120	355	4-Φ28	-20
200TPW52-110/4	315S-4	1486	660	1035	1005	250	200	220	1040	800	720	120	355	4-Φ28	-20
200TPW57-132/4	315M-4	1596	760	1035	1005	250	200	220	1300	1000	820	120	355	4-Φ28	-50
200TPW7-7.5/6	160M	910	420	945	675	250	200	220	720	600	480	100	315	4-Φ22	40
200TPW9-11/6	160L	965	420	945	675	250	200	220	720	600	480	100	315	4-Φ22	40
200TPW11-15/6	180L	1035	420	1015	730	250	200	220	720	600	480	100	355	4-Φ22	40
200TPW13-18.5/6	200L	1065	560	1015	760	250	200	220	950	700	620	100	355	4-Φ22	-25
200TPW14-22/6	200L	1065	560	1015	760	250	200	220	950	700	620	100	355	4-Φ22	-25
200TPW18-22/6	200L	1071	560	1015	760	250	200	220	950	700	620	100	355	4-Φ22	-25
200TPW21-30/6	225M	1121	560	1015	785	250	200	220	950	700	620	100	355	4-Φ22	-25

泵型号 PUMP TYPE	机座号 Motor Frame No.	外型尺寸 Outline Dimension (mm)				安装尺寸 Installation Dimension (mm)									
		L	B ₂	H	H ₂	DN _s	DN _D	a	L ₁	L ₂	B ₁	H ₁	h	4-d ₀	A
200TPW25-37/6	250M	1186	560	1015	820	250	200	220	950	700	620	100	355	4-Φ22	-25
250TPW20-45/4	225M	1166	560	1035	785	300	250	260	950	700	620	100	355	4-Φ22	-25
250TPW23-55/4	250M	1231	560	1035	820	300	250	260	950	700	620	100	355	4-Φ22	-25
250TPW28-75/4	280S	1291	560	1035	855	300	250	260	950	700	620	100	355	4-Φ22	-25
250TPW34-90/4	280M	1341	660	1055	875	300	250	260	1040	800	720	120	355	4-Φ28	-20
250TPW37-90/4	280M	1346	660	1125	920	300	250	260	1040	800	720	120	400	4-Φ28	-20
250TPW41-110/4	315S-4	1551	660	1125	1050	300	250	260	1040	800	720	120	400	4-Φ28	-20
250TPW48-132/4	315M-4	1646	760	1125	1050	300	250	260	1300	1000	820	120	400	4-Φ28	-50
250TPW55-160/4	315L-4	1646	760	1125	1050	300	250	260	1300	1000	820	120	400	4-Φ28	-50
300TPW20-55/4	250M	1271	560	1130	865	350	300	300	950	700	620	100	400	4-Φ22	-25
300TPW26-75/4	280S	1331	560	1130	900	350	300	300	950	700	620	100	400	4-Φ22	-25
300TPW29-90/4	280M	1381	660	1150	920	350	300	300	1040	800	720	120	400	4-Φ28	-20
300TPW38-110/4	315S-4	1616	760	1180	1070	350	300	340	1300	1000	820	120	420	4-Φ28	-20
300TPW42-132/4	315M-4	1726	760	1180	1070	350	300	340	1300	1000	820	120	420	4-Φ28	-20
300TPW46-160/4	315L-4	1726	760	1180	1070	350	300	340	1300	1000	820	120	420	4-Φ28	-20
300TPW50-185/4	315L-4	1726	760	1180	1070	350	300	340	1300	1000	820	120	420	4-Φ28	-20
300TPW52-200/4	315L-4	1726	760	1180	1070	350	300	340	1300	1000	820	120	420	4-Φ28	-20
350TPW15-55/4	250M	1259	560	1210	915	350	350	280	950	700	620	100	430	4-Φ28	5
350TPW19-75/4	280S	1319	560	1210	950	350	350	280	950	700	620	100	430	4-Φ28	5
350TPW22-90/4	280M	1369	660	1230	950	350	350	280	1040	800	720	120	430	4-Φ28	10
350TPW27-110/4	315S-4	1559	760	1270	1100	350	350	280	1300	1000	820	120	450	4-Φ28	-20
350TPW30-132/4	315M-4	1669	760	1270	1100	350	350	280	1300	1000	820	120	450	4-Φ28	-20
350TPW34-160/4	315L-4	1669	760	1270	1100	350	350	280	1300	1000	820	120	450	4-Φ28	-20
350TPW40-185/4	315L-4	1669	760	1330	1100	350	350	280	1300	1000	820	120	480	4-Φ28	-20
350TPW42-200/4	315L-4	1669	760	1330	1100	350	350	280	1300	1000	820	120	480	4-Φ28	-20
350TPW47-220/4	315L-4	1674	760	1330	1130	350	350	280	1300	1000	820	120	480	4-Φ28	-20
350TPW52-250/4	355M-4	1874	760	1330	1255	350	350	280	1300	1000	820	120	480	4-Φ28	-20
350TPW56-280/4	355L-4	1874	760	1330	1255	350	350	280	1300	1000	820	120	480	4-Φ28	-20
350TPW60-315/4	355L-4	1874	760	1330	1255	350	350	280	1300	1000	820	120	480	4-Φ28	-20

TWZ外形安装尺寸图

TWZ Outline Installation Dimension Figure



TWZ外形安装尺寸表

TWZ Outline installation dimension table

TPW/TWZ/TWX系列改进型卧式端吸循环泵
TPW/TWZ/TWX series advanced horizontal end suction circulation pump

泵型号 PUMP TYPE	机座号 Motor Frame No.	外型尺寸 Outline Dimension (mm)				安装尺寸 Installation Dimension (mm)										
		L	B2	H	H2	DN _s	DN _D	a	L ₁	L ₂	B ₁	H ₁	h	4--d0	A	
32TWZ12-0.75/2	80M	499	250	330	314	40	32	90	460	410	200	60	120	4-Φ14	25	
32TWZ15-1.1/2	80M	499	250	330	314	40	32	90	460	410	200	60	120	4-Φ14	25	
32TWZ20-1.5/2	90S	544	250	330	340	40	32	90	460	410	200	60	120	4-Φ14	25	
32TWZ27-2.2/2	90L	579	250	362	352	40	32	90	460	410	200	60	132	4-Φ14	25	
32TWZ35-3/2	100L	623	250	362	362	40	32	90	460	410	200	60	132	4-Φ14	25	
32TWZ36-4/2	112M	637	250	400	408	40	32	100	460	410	200	60	160	4-Φ14	25	
32TWZ46-5.5/2	132S	707	330	400	433	40	32	100	665	615	260	60	160	4-Φ16	25	
32TWZ12-0.75/4	80M	512	250	400	354	40	32	100	460	410	200	60	160	4-Φ14	25	
40TWZ14-1.1/2	80M	504	250	352	326	50	40	90	460	410	200	60	132	4-Φ14	25	
40TWZ18-1.5/2	90S	548	250	352	352	50	40	90	460	410	200	60	132	4-Φ14	25	
40TWZ23-2.2/2	90L	578	250	352	352	50	40	90	460	410	200	60	132	4-Φ14	25	
40TWZ28-3/2	100L	629	250	362	362	50	40	90	460	410	200	60	132	4-Φ14	25	
40TWZ34-4/2	112M	634	250	362	380	50	40	90	460	410	200	60	132	4-Φ14	25	
40TWZ35-5.5/2	132S	708	330	440	433	50	40	100	665	615	260	60	160	4-Φ16	25	
40TWZ43-7.5/2	132S	708	330	440	433	50	40	100	665	615	260	60	160	4-Φ16	25	
40TWZ9-0.75/4	80M	514	250	440	354	50	40	100	460	410	200	60	160	4-Φ14	25	
40TWZ12-1.1/4	90S	559	250	440	380	50	40	100	460	410	200	60	160	4-Φ14	25	
50TWZ14-1.1/2	80M	525	250	362	326	65	50	90	460	410	200	60	132	4-Φ14	25	
50TWZ16-1.5/2	90S	548	250	362	352	65	50	90	460	410	200	60	132	4-Φ14	25	
50TWZ19-2.2/2	90L	578	250	362	352	65	50	90	460	410	200	60	132	4-Φ14	25	
50TWZ24-3/2	100L	622	250	362	362	65	50	90	460	410	200	60	132	4-Φ14	25	
50TWZ27-4/2	112M	662	250	362	380	65	50	100	460	410	200	60	132	4-Φ14	25	
50TWZ34-5.5/2	132S	657	330	362	405	65	50	100	665	615	260	60	132	4-Φ16	25	
50TWZ37-7.5/2	132S	708	330	440	433	65	50	100	665	615	260	60	160	4-Φ16	25	
50TWZ47-11/2	160M	810	330	440	480	65	50	100	665	615	260	60	160	4-Φ16	25	
50TWZ58-15/2	160M	884	330	490	500	65	50	100	665	615	260	60	180	4-Φ16	25	

TWZ外形安装尺寸表

TWZ Outline installation dimension table

泵型号 PUMP TYPE	机座号 Motor Frame No.	外型尺寸 Outline Dimension (mm)				安装尺寸 Installation Dimension (mm)										
		L	B ₂	H	H ₂	DN _s	DN _D	a	L ₁	L ₂	B ₁	H ₁	h	4-φ _{d0}	A	
50TWZ68-18.5/2	160L	914	420	530	540	65	50	100	820	700	480	100	180	4-φ22	10	
50TWZ76-22/2	180M	939	420	530	555	65	50	100	820	700	480	100	180	4-φ22	10	
50TWZ9-0.75/4	80M	513	250	362	326	65	50	100	460	410	200	60	132	4-φ14	25	
50TWZ8-0.75/4	80M	530	250	440	354	65	50	100	460	410	200	60	160	4-φ14	25	
50TWZ10-1.1/4	90S	572	250	440	380	65	50	100	460	410	200	60	160	4-φ14	25	
50TWZ11-1.5/4	90L	602	250	440	380	65	50	100	460	410	200	60	160	4-φ14	25	
50TWZ15-2.2/4	100L	645	330	490	410	65	50	100	665	615	260	60	180	4-φ16	35	
50TWZ19-3/4	100L	645	330	490	410	65	50	100	665	615	260	60	180	4-φ16	35	
65TWZ15-2.2/2	90L	598.5	250	382	352	80	65	105	460	410	200	60	132	4-φ14	25	
65TWZ18-3/2	100L	647	250	382	362	80	65	105	460	410	200	60	132	4-φ14	25	
65TWZ22-4/2	112M	652	330	382	380	80	65	105	665	615	260	60	132	4-φ16	25	
65TWZ26-5.5/2	132S	715	330	402	415	80	65	105	665	615	260	60	142	4-φ16	25	
65TWZ33-7.5/2	132S	715	330	402	415	80	65	105	665	615	260	60	142	4-φ16	25	
65TWZ34-11/2	160M	888	330	477	500	80	65	105	665	615	260	60	180	4-φ16	35	
65TWZ45-15/2	160M	888	330	477	500	80	65	105	665	615	260	60	180	4-φ16	35	
65TWZ52-18.5/2	160L	918	420	517	540	80	65	105	820	700	480	100	180	4-φ22	0	
65TWZ62-22/2	180M	943	420	517	555	80	65	105	820	700	480	100	180	4-φ22	0	
65TWZ76-30/2	200L	1003	420	550	605	80	65	105	820	700	480	100	200	4-φ22	0	
65TWZ84-37/2	200L	1003	420	550	605	80	65	105	820	700	480	100	200	4-φ22	0	
65TWZ7-0.75/4	80M	514	250	402	336	80	65	105	460	410	200	60	142	4-φ14	25	
65TWZ8-1.1/4	90S	569	250	402	362	80	65	105	460	410	200	60	142	4-φ14	25	
65TWZ9-1.5/4	90L	608.5	330	477	400	80	65	105	460	410	200	60	180	4-φ16	35	
65TWZ12-2.2/4	100L	653	330	477	410	80	65	105	665	615	260	60	180	4-φ16	35	
65TWZ15-3/4	100L	653	330	477	410	80	65	105	665	615	260	60	180	4-φ16	35	
65TWZ16-3/4	100L	649	330	510	430	80	65	105	665	615	260	60	200	4-φ16	35	
65TWZ20-4/4	112M	684	330	510	448	80	65	105	665	615	260	60	200	4-φ16	35	

泵型号 PUMP TYPE	机座号 Motor Frame No.	外型尺寸 Outline Dimension (mm)				安装尺寸 Installation Dimension (mm)										
		L	B ₂	H	H ₂	DN _s	DN _D	a	L ₁	L ₂	B ₁	H ₁	h	4-φ _{d0}	A	
80TWZ15-3/2	100L	658	250	412	362	100	80	120	460	410	200	60	132	4-φ14	25	
80TWZ19-4/2	112M	667	330	412	380	100	80	120	665	615	260	60	132	4-φ16	25	
80TWZ21-5.5/2	132S	733	330	412	405	100	80	120	665	615	260	60	132	4-φ16	25	
80TWZ20-7.5/2	132S	741	330	470	433	100	80	120	665	615	260	60	160	4-φ16	35	
80TWZ27-11/2	160M	905	330	470	480	100	80	120	665	615	260	60	160	4-φ16	35	
80TWZ33-15/2	160M	905	330	470	480	100	80	120	665	615	260	60	160	4-φ16	35	
80TWZ37-18.5/2	160L	942	420	575	560	100	80	120	820	700	480	100	200	4-φ22	0	
80TWZ42-22/2	180M	962	420	575	575	100	80	120	820	700	480	100	200	4-φ22	0	
80TWZ57-30/2	200L	1022	420	575	605	100	80	120	820	700	480	100	200	4-φ22	0	
80TWZ62-37/2	200L	1022	420	575	605	100	80	120	820	700	480	100	200	4-φ22	0	
80TWZ71-30/2	200L	1015	420	575	605	100	80	130	820	700	480	100	200	4-φ22	0	
80TWZ79-37/2	200L	1015	420	575	605	100	80	130	820	700	480	100	200	4-φ22	0	
80TWZ80-45/2	225M	1090	560	680	680	100	80	140	1040	800	620	100	250	4-φ22	-52.5	
80TWZ91-55/2	250M	1203	560	680	715	100	80	140	1040	800	620	100	250	4-φ22	-52.5	
80TWZ112-75/2	280S	1248	560	680	780	100	80	140	1040	800	620	100	250	4-φ22	-52.5	
80TWZ127-90/2	280M	1298	560	710	780	100	80	140	1040	800	620	130	250	4-φ22	-52.5	
80TWZ5-0.75/4	80M	546.5	250	412	326	100	80	120	460	410	200	60	132	4-φ14	25	
80TWZ6-1.1/4	90S	595	330	470	380	100	80	120	665	615	260	60	160	4-φ16	35	
80TWZ7-1.5/4	90L	625	330	470	380	100	80	120	665	615	260	60	160	4-φ16	35	
80TWZ8-2.2/4	100L	670	330	470	390	100	80	120	665	615	260	60	160	4-φ16	35	
80TWZ9-2.2/4	100L	672	330	535	430	100	80	120	665	615	260	60	200	4-φ16	35	
80TWZ11-3/4	100L	672	330	535	430	100	80	120	665	615	260	60	200	4-φ16	35	
80TWZ15-4/4	112M	677	330	535	448	100	80	120	665	615	260	60	200	4-φ16	35	
80TWZ14-3/4	100L	674	330	535	430	100	80	130	665	615	260	60	200	4-φ16	35	
80TWZ17-4/4	112M	679	330	535	448	100	80	130	665	615	260	60	200	4-φ16	35	
80TWZ21-5.5/4	132S	749	330	535	473	100	80	130	665	615	260	60	200	4-φ16	35	

TWZ外形安装尺寸表

TWZ Outline installation
dimension table

泵型号 PUMP TYPE	机座号 Motor Frame No.	外型尺寸 Outline Dimension (mm)				安装尺寸 Installation Dimension (mm)										
		L	B ₂	H	H ₂	DN _s	DN _D	a	L ₁	L ₂	B ₁	H ₁	h	4-φ _D	A	
80TWZ18-5.5/4	132S	774	330	640	528	100	80	140	665	615	260	60	250	4-φ22	47.5	
80TWZ23-7.5/4	132M	824	330	640	563	100	80	140	665	615	260	60	250	4-φ22	47.5	
80TWZ30-11/4	160M	945	420	680	610	100	80	140	820	700	480	100	250	4-φ22	12.5	
100TWZ15-4/2	112M	698	330	470	408	125	100	120	665	615	260	60	160	4-φ16	25	
100TWZ18-5.5/2	132S	738	330	470	433	125	100	120	665	615	260	60	160	4-φ16	25	
100TWZ20-7.5/2	132S	738	330	470	433	125	100	120	665	615	260	60	160	4-φ16	25	
100TWZ21-11/2	160M	930	330	515	500	125	100	140	665	615	260	60	180	4-φ16	35	
100TWZ25-15/2	160M	930	330	515	500	125	100	140	665	615	260	60	180	4-φ16	35	
100TWZ30-18.5/2	160L	960	420	555	540	125	100	140	820	700	480	100	180	4-φ22	0	
100TWZ32-22/2	180M	985	420	555	555	125	100	140	820	700	480	100	180	4-φ22	0	
100TWZ37-22/2	180M	995.5	420	590	575	125	100	140	820	700	480	100	200	4-φ22	0	
100TWZ45-30/2	200L	1045.5	420	590	605	125	100	140	820	700	480	100	200	4-φ22	0	
100TWZ53-37/2	200L	1045.5	420	590	605	125	100	140	820	700	480	100	200	4-φ22	0	
100TWZ60-45/2	225M	1089	560	630	655	125	100	140	1040	800	620	100	225	4-φ22	-52.5	
100TWZ67-55/2	250M	1189	560	630	690	125	100	140	1040	800	620	100	225	4-φ22	-52.5	
100TWZ72-75/2	280S	1254	560	630	725	125	100	140	1040	800	620	100	225	4-φ22	-52.5	
100TWZ83-75/2	280S	1278	560	720	745	125	100	140	1040	800	620	100	250	4-φ22	-52.5	
100TWZ89-90/2	280M	1328	560	720	780	125	100	140	1040	800	620	100	250	4-φ22	-52.5	
100TWZ102-110/2	315S	1613	660	740	965	125	100	140	1300	1000	720	120	250	4-φ28	-47.5	
100TWZ110-132/2	315M	1648	760	740	965	125	100	140	1500	1200	820	120	250	4-φ28	-77.5	
100TWZ121-160/2	315L	1723	760	740	965	125	100	140	1500	1200	820	120	250	4-φ28	-77.5	
100TWZ4-0.75/4	80M	537	250	470	354	125	100	120	460	410	200	60	160	4-φ14	25	
100TWZ5-1.1/4	90S	620	250	515	400	125	100	140	460	410	200	60	180	4-φ16	35	
100TWZ6-1.5/4	90L	650	250	515	400	125	100	140	460	410	200	60	180	4-φ16	35	
100TWZ7-2.2/4	100L	695	330	515	410	125	100	140	665	615	260	60	180	4-φ16	35	
100TWZ8-2.2/4	100L	686.5	330	550	430	125	100	140	665	615	260	60	200	4-φ16	35	

泵型号 PUMP TYPE	机座号 Motor Frame No.	外型尺寸 Outline Dimension (mm)				安装尺寸 Installation Dimension (mm)										
		L	B ₂	H	H ₂	DN _s	DN _D	a	L ₁	L ₂	B ₁	H ₁	h	4-φ _D	A	
100TWZ10-3/4	100L	686.5	330	550	430	125	100	140	665	615	260	60	200	4-φ16	35	
100TWZ12-4/4	112M	695.5	330	550	448	125	100	140	665	615	260	60	200	4-φ16	35	
100TWZ15-5.5/4	132S	770	330	590	538	125	100	140	665	615	260	60	225	4-φ22	47.5	
100TWZ18-7.5/4	132M	820	330	590	538	125	100	140	665	615	260	60	225	4-φ22	47.5	
100TWZ23-11/4	160M	953	420	720	610	125	100	140	820	700	480	100	250	4-φ22	12.5	
100TWZ26-15/4	160L	988	420	720	610	125	100	140	820	700	480	100	250	4-φ22	12.5	
100TWZ30-18.5/4	180M	1008	420	720	625	125	100	140	820	700	480	100	250	4-φ22	12.5	
100TWZ31-22/4	180L	1048	420	720	625	125	100	140	820	700	480	100	250	4-φ22	12.5	
125TWZ25-22/2	180M	1005	420	625	575	150	125	160	820	700	480	100	200	4-φ22	12.5	
125TWZ34-30/2	200L	1065	420	625	605	150	125	160	820	700	480	100	200	4-φ22	12.5	
125TWZ40-37/2	200L	1065	420	625	605	150	125	160	820	700	480	100	200	4-φ22	12.5	
125TWZ46-45/2	225M	1105	560	680	655	150	125	160	1040	800	620	100	225	4-φ22	-52.5	
125TWZ49-55/2	250M	1237	560	680	655	150	125	160	1040	800	620	75	250	4-φ22	-52.5	
125TWZ53-55/2	250M	1237	560	730	715	150	125	160	1040	800	620	100	250	4-φ22	-52.5	
125TWZ60-75/2	280S	1282	560	760	780	150	125	160	1040	800	620	130	250	4-φ22	-52.5	
125TWZ70-90/2	280M	1332	560	760	780	150	125	160	1040	800	620	130	250	4-φ22	-52.5	
125TWZ77-110/2	315S	1337	660	815	965	150	125	160	1040	800	720	185	250	4-φ28	-47.5	
125TWZ98-132/2	315M	1664	760	835	965	150	125	160	1500	1200	820	155	280	4-φ28	-77.5	
125TWZ108-160/2	315L	1739	760	835	965	150	125	160	1500	1200	820	155	280	4-φ28	-77.5	
125TWZ121-185/2	315L	1739	760	835	965	150	125	160	1500	1200	820	155	280	4-φ28	-77.5	
125TWZ130-200/2	315L	1739	760	835	965	150	125	160	1500	1200	820	155	280	4-φ28	-77.5	
125TWZ6-2.2/4	100L	710.5	330	585	430	150	125	160	665	615	260	60	200	4-φ22	47.5	
125TWZ7-3/4	100L	710.5	330	585	430	150	125	160	665	615	260	60	200	4-φ22	47.5	
125TWZ9-4/4	112M	720	330	585	448	150	125	160	665	615	260	60	200	4-φ22	47.5	
125TWZ11-5.5/4	132S	796	330	640	498	150	125	160	665	615	260	60	225	4-φ22	47.5	
125TWZ12-7.5/4	132M	846	330	640	498	150	125	160	665	615	260	100	225	4-φ22	47.5	

TWZ外形安装尺寸表

TWZ Outline installation dimension table

泵型号 PUMP TYPE	机座号 Motor Frame No.	外型尺寸 Outline Dimension (mm)				安装尺寸 Installation Dimension (mm)									
		L	B ₂	H	H ₂	DN _s	DN _D	a	L ₁	L ₂	B ₁	H ₁	h	4--d ₀	A
125TWZ14-7.5/4	132M	852	330	695	563	150	125	160	665	615	260	65	250	4-Φ22	47.5
125TWZ17-11/4	160M	977	420	730	610	150	125	160	820	700	480	100	250	4-Φ22	12.5
125TWZ20-15/4	160L	1007	420	730	610	150	125	160	820	700	480	100	250	4-Φ22	12.5
125TWZ26-18.5/4	180M	1049	420	780	655	150	125	160	820	700	480	100	280	4-Φ22	12.5
125TWZ28-22/4	180L	1089	420	780	655	150	125	160	820	700	480	100	280	4-Φ22	12.5
125TWZ32-30/4	200L	1154	420	780	685	150	125	160	950	800	480	100	280	4-Φ22	12.5
125TWZ5-1.5/6	100L	721	330	640	455	150	125	160	665	615	260	60	225	4-Φ22	47.5
125TWZ6-2.2/6	112M	736	330	690	498	150	125	160	665	615	260	60	250	4-Φ22	47.5
125TWZ7-3/6	132S	808	330	690	523	150	125	160	665	615	260	60	250	4-Φ22	47.5
125TWZ8-4/6	132M	858	330	690	523	150	125	160	665	615	260	60	250	4-Φ22	47.5
125TWZ12-5.5/6	132M	855	330	740	553	150	125	160	665	615	260	60	280	4-Φ22	47.5
125TWZ14-7.5/6	160M	1115	420	780	640	150	125	160	950	800	480	100	280	4-Φ22	12.5
150TWZ41-75/2	280S	1341	560	760	780	150	125	200	1040	800	620	120	280	4-Φ22	40
150TWZ48-90/2	280M	1391	560	760	780	150	125	200	1040	800	620	120	280	4-Φ22	40
150TWZ55-110/2	315S	1586	660	795	965	150	125	200	1200	1000	720	155	280	4-Φ28	40
150TWZ57-110/2	315S	1357	760	875	965	200	150	180	1040	800	820	155	280	4-Φ28	40
150TWZ64-132/2	315M	1684	760	875	965	200	150	180	1500	1200	820	155	280	4-Φ28	40
150TWZ74-160/2	315L	1759	760	875	965	200	150	180	1500	1200	820	155	280	4-Φ28	40
150TWZ80-185/2	315L	1759	760	875	965	200	150	180	1500	1200	820	155	280	4-Φ28	40
150TWZ11-11/4	160M	871	420	740	640	200	150	200	820	700	480	100	280	4-Φ22	40
150TWZ14-15/4	160L	926	420	740	640	200	150	200	820	700	480	100	280	4-Φ22	40
150TWZ13-11/4	160M	990	420	820	640	200	150	180	820	700	480	100	280	4-Φ22	40
150TWZ16-15/4	160L	1020	420	820	640	200	150	180	820	700	480	100	280	4-Φ22	40
150TWZ18-18.5/4	180M	1045	420	820	655	200	150	180	820	700	480	100	280	4-Φ22	40
150TWZ19-18.5/4	180M	1041	420	840	655	200	150	180	820	700	480	100	280	4-Φ22	40
150TWZ22-22/4	180L	1081	420	840	655	200	150	180	820	700	480	100	280	4-Φ22	40

泵型号 PUMP TYPE	机座号 Motor Frame No.	外型尺寸 Outline Dimension (mm)				安装尺寸 Installation Dimension (mm)									
		L	B ₂	H	H ₂	DN _s	DN _D	a	L ₁	L ₂	B ₁	H ₁	h	4--d ₀	A
150TWZ28-30/4	200L	1095	560	840	685	200	150	180	1040	800	620	100	280	4-Φ22	-25
150TWZ32-37/4	225S	1136	560	840	710	200	150	180	1040	800	620	100	280	4-Φ22	-25
150TWZ34-45/4	225M	1171	560	840	710	200	150	180	1040	800	620	100	280	4-Φ22	-25
150TWZ41-45/4	225M	1178	560	935	765	200	150	180	1040	800	620	100	335	4-Φ22	-25
150TWZ43-55/4	250M	1343	560	935	800	200	150	180	1200	1000	620	100	335	4-Φ22	-25
150TWZ51-75/4	280S	1288	560	935	835	200	150	180	1040	800	620	100	335	4-Φ22	-25
150TWZ57-90/4	280M	1343	560	935	835	200	150	180	1040	800	620	100	335	4-Φ22	-25
150TWZ4-2.2/6	112M	760	330	780	528	200	150	180	665	615	260	60	280	4-Φ22	75
150TWZ5-3/6	132S	840	330	780	553	200	150	180	665	615	260	60	280	4-Φ22	75
150TWZ6-4/6	132M	875	330	780	553	200	150	180	665	615	260	60	280	4-Φ22	75
150TWZ8-5.5/6	132M	875	330	780	553	200	150	180	665	615	260	60	280	4-Φ22	75
150TWZ9-5.5/6	132M	866	330	800	553	200	150	180	665	615	260	60	280	4-Φ22	75
150TWZ11-7.5/6	160M	986	420	840	640	200	150	180	820	700	480	100	280	4-Φ22	40
150TWZ14-11/6	160L	1021	420	840	640	200	150	180	820	700	480	100	280	4-Φ22	40
150TWZ17-15/6	180L	1088	420	935	710	200	150	180	820	700	480	100	335	4-Φ22	40
150TWZ20-18.5/6	200L	1108	560	935	740	200	150	180	1040	800	620	100	335	4-Φ22	-25
150TWZ23-22/6	200L	1108	560	935	740	200	150	180	1040	800	620	100	335	4-Φ22	-25
150TWZ26-30/6	225M	1168	560	935	765	200	150	180	1040	800	620	100	335	4-Φ22	-25
200TWZ10-11/4	160M	1032	420	815	675	250	200	220	820	700	480	65	315	4-Φ22	40
200TWZ12-15/4	160L	1062	420	815	675	250	200	220	820	700	480	65	315	4-Φ22	40
200TWZ14-18.5/4	180M	1200	420	945	690	250	200	220	950	800	480	100	315	4-Φ22	40
200TWZ15-22/4	180L	1235	420	945	690	250	200	220	950	800	480	100	315	4-Φ22	40
200TWZ18-30/4	200L	1255	560	945	720	250	200	220	1200	1000	620	100	315	4-Φ22	-25
200TWZ21-37/4	225S	1260	560	945	745	250	200	220	1200	1000	620	100	315	4-Φ22	-25
200TWZ23-45/4	225M	1211	560	1015	785	250	200	220	1040	800	620	100	355	4-Φ22	-25
200TWZ27-55/4	250M	1291	560	1015	820	250	200	220	1040	800	620	100	355	4-Φ22	-25

TWZ外形安装尺寸表

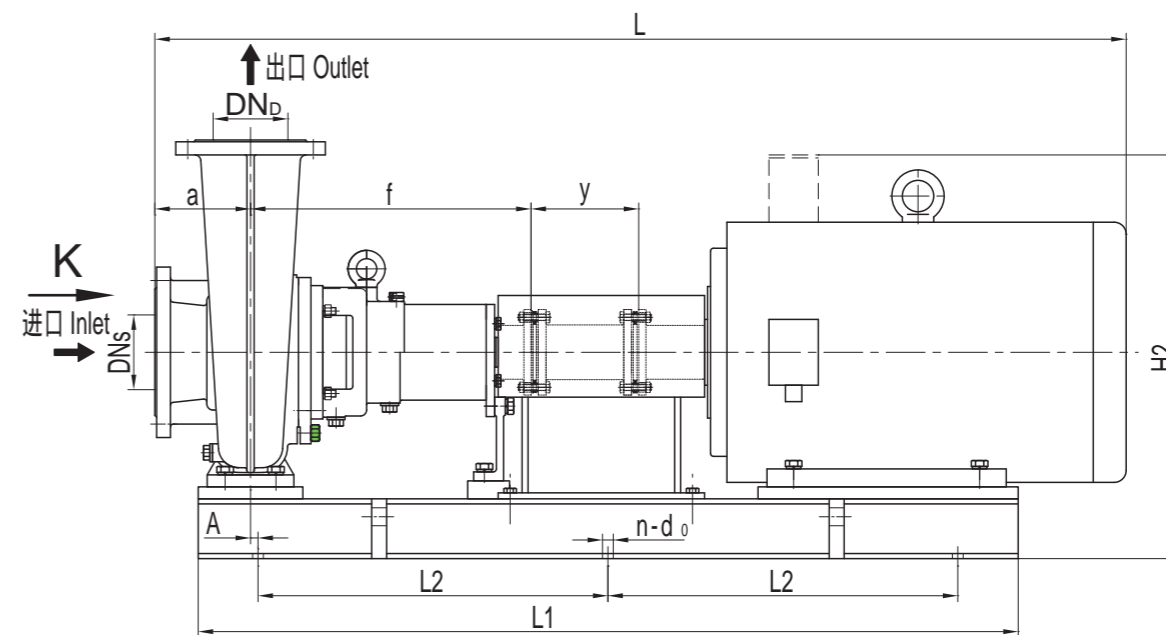
TWZ Outline installation dimension table

泵型号 PUMP TYPE	机座号 Motor Frame No.	外型尺寸 Outline Dimension (mm)				安装尺寸 Installation Dimension (mm)										
		L	B ₂	H	H ₂	DN _s	DN _D	a	L ₁	L ₂	B ₁	H ₁	h	4-φ ₀	A	
200TWZ32-75/4	280S	1346	560	1015	855	250	200	220	1040	800	620	100	355	4-φ22	-25	
200TWZ29-37/4	225S	1196	560	1015	785	250	200	220	1040	800	620	100	355	4-φ22	-25	
200TWZ31-45/4	225M	1231	560	1015	785	250	200	220	1040	800	620	100	355	4-φ22	-25	
200TWZ36-55/4	250M	1296	560	1015	820	250	200	220	1040	800	620	100	355	4-φ22	-25	
200TWZ42-75/4	280S	1346	560	1015	855	250	200	220	1040	800	620	100	355	4-φ22	-25	
200TWZ46-90/4	280M	1396	660	1035	875	250	200	220	1200	1000	720	120	355	4-φ28	-20	
200TWZ52-110/4	315S-4	1726	660	1035	1005	250	200	220	1300	1000	720	120	355	4-φ28	-20	
200TWZ57-132/4	315M-4	1830	760	1035	1005	250	200	220	1500	1200	820	120	355	4-φ28	-50	
200TWZ7-7.5/6	160M	1145	420	945	675	250	200	220	950	800	480	100	315	4-φ22	40	
200TWZ9-11/6	160L	1175	420	945	675	250	200	220	950	800	480	100	315	4-φ22	40	
200TWZ11-15/6	180L	1131	420	1015	730	250	200	220	820	700	480	100	355	4-φ22	40	
200TWZ13-18.5/6	200L	1151	560	1015	760	250	200	220	1040	800	620	100	355	4-φ22	-25	
200TWZ14-22/6	200L	1151	560	1015	760	250	200	220	1040	800	620	100	355	4-φ22	-25	
200TWZ18-22/6	200L	1161	560	1015	760	250	200	220	1040	800	620	100	355	4-φ22	-25	
200TWZ21-30/6	225M	1221	560	1015	785	250	200	220	1040	800	620	100	355	4-φ22	-25	
200TWZ25-37/6	250M	1301	560	1015	820	250	200	220	1040	800	620	100	355	4-φ22	-25	

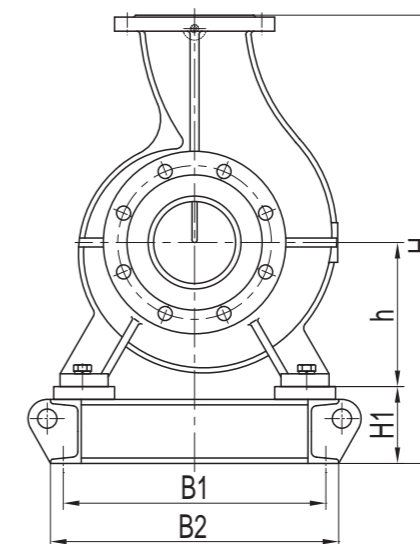
TWX外形安装尺寸图

TWX Outline Installation Dimension Figure

TPW/TWZ/TWX系列改进型卧式端吸循环泵
TPW/TWZ/TWX series advanced horizontal end suction circulation pump



K 向
K Direction





TWX外形安装尺寸表

TWX Outline installation dimension table

泵型号 PUMP TYPE	机座号 Motor Frame No.	外型尺寸 Outline Dimension (mm)				安装尺寸 Installation Dimension (mm)											
		L	B ₂	H	H ₂	DN _s	DN _D	a	f	y	L ₁	L ₂	B ₁	H ₁	h	n-d ₀	A
32TWX12-0.75/2	80M	855	250	368	364	40	32	90	370	100	745	550	220	98	120	4-Φ14	40
32TWX15-1.1/2	80M	855	250	368	364	40	32	90	370	100	745	550	220	98	120	4-Φ14	40
32TWX20-1.5/2	90S	875	250	368	390	40	32	90	370	100	765	600	220	98	120	4-Φ14	40
32TWX27-2.2/2	90L	910	250	438	418	40	32	100	370	100	790	600	220	98	160	4-Φ14	40
32TWX35-3/2	100L	955	250	438	428	40	32	100	370	100	825	650	220	98	160	4-Φ14	40
32TWX36-4/2	112M	970	250	438	446	40	32	100	370	100	830	650	220	98	160	4-Φ14	40
32TWX46-5.5/2	132S	1040	250	438	471	40	32	100	370	100	875	700	220	98	160	4-Φ14	40
32TWX12-0.75/4	80M	965	250	438	392	40	32	100	370	100	745	550	220	98	160	4-Φ14	40
40TWX14-1.1/2	80M	856	250	390	364	50	40	90	371	100	745	550	220	98	132	4-Φ14	40
40TWX18-1.5/2	90S	876	250	390	390	50	40	90	371	100	765	600	220	98	132	4-Φ14	40
40TWX23-2.2/2	90L	901	250	390	390	50	40	90	371	100	790	600	220	98	132	4-Φ14	40
40TWX28-3/2	100L	952	250	400	428	50	40	90	377	100	830	650	220	98	132	4-Φ14	40
40TWX34-4/2	112M	967	250	400	446	50	40	90	377	100	840	650	220	98	132	4-Φ14	40
40TWX35-5.5/2	132S	1045	250	478	471	50	40	100	375	100	880	700	220	98	160	4-Φ14	40
40TWX43-7.5/2	132S	1045	250	478	471	50	40	100	375	100	880	700	220	98	160	4-Φ14	40
40TWX9-0.75/4	80M	870	250	478	364	50	40	100	375	100	750	550	220	98	160	4-Φ14	40
40TWX12-1.1/4	90S	890	250	478	390	50	40	100	375	100	770	600	220	98	160	4-Φ14	40
50TWX14-1.1/2	80M	859	250	400	364	65	50	90	374	100	750	550	220	98	132	4-Φ14	40
50TWX16-1.5/2	90S	879	250	400	390	65	50	90	374	100	770	600	220	98	132	4-Φ14	40
50TWX19-2.2/2	90L	904	250	400	390	65	50	90	374	100	795	600	220	98	132	4-Φ14	40
50TWX24-3/2	100L	949	250	400	428	65	50	90	374	100	830	650	220	98	132	4-Φ14	40
50TWX27-4/2	112M	975	250	400	446	65	50	100	375	100	835	650	220	98	132	4-Φ14	40
50TWX34-5.5/2	132S	1045	250	400	471	65	50	100	375	100	880	700	220	98	132	4-Φ14	40
50TWX9-0.75/4	80M	870	250	400	364	65	50	100	375	100	750	550	220	98	132	4-Φ14	40
50TWX37-7.5/2	132S	1129	310	500	493	65	50	100	439	120	965	700	270	120	160	4-Φ18	40
50TWX47-11/2	160M	1274	310	500	540	65	50	100	439	120	1085	900	270	120	160	4-Φ18	40

泵型号 PUMP TYPE	机座号 Motor Frame No.	外型尺寸 Outline Dimension (mm)				安装尺寸 Installation Dimension (mm)											
		L	B ₂	H	H ₂	DN _s	DN _D	a	f	y	L ₁	L ₂	B ₁	H ₁	h	n-d ₀	A
50TWX8-0.75/4	80M	954	250	478	364	65	50	100	439	120	835	650	220	98	160	4-Φ14	40
50TWX10-1.1/4	90S	974	250	478	390	65	50	100	439	120	855	650	220	98	160	4-Φ14	40
50TWX11-1.5/4	90L	999	250	478	390	65	50	100	439	120	880	700	220	98	160	4-Φ14	40
50TWX58-15/2	160M	1273	310	550	560	65	50	100	438	120	1090	900	270	120	180	4-Φ18	30
50TWX68-18.5/2	160L	1328	310	550	560	65	50	100	438	120	1135	950	270	120	180	4-Φ18	30
50TWX76-22/2	180M	1358	390	550	575	65	50	100	438	120	1150	950	270	120	180	4-Φ18	30
50TWX15-2.2/4	100L	1043	310	528	428	65	50	100	438	120	920	700	270	98	180	4-Φ14	30
50TWX19-3/4	100L	1043	310	528	428	65	50	100	438	120	920	700	270	98	180	4-Φ14	30
65TWX15-2.2/2	90L	925	250	420	390	80	65	105	380	100	800	650	220	98	132	4-Φ14	40
65TWX18-3/2	100L	970	250	420	400	80	65	105	380	100	840	650	220	98	132	4-Φ14	40
65TWX22-4/2	112M	985	250	420	418	80	65	105	380	100	840	650	220	98	132	4-Φ14	40
65TWX26-5.5/2	132S1	1052	250	440	453	80	65	105	377	100	880	700	220	98	142	4-Φ14	40
65TWX33-7.5/2	132S2	1052	250	440	453	80	65	105	377	100	880	700	220	98	142	4-Φ14	40
65TWX7-0.75/4	80M2	887	250	440	374	80	65	105	377	100	760	600	220	98	142	4-Φ14	40
65TWX8-1.1/4	90S	897	250	440	400	80	65	105	377	100	780	600	220	98	142	4-Φ14	40
65TWX34-11/2	160M1	1277	310	535	558	80	65	105	437	120	1090	900	270	118	180	4-Φ18	30
65TWX45-15/2	160M2	1277	310	535	558	80	65	105	437	120	1090	900	270	118	180	4-Φ18	30
65TWX52-18.5/2	160L	1332	310	535	558	80	65	105	437	120	1150	950	270	118	180	4-Φ18	30
65TWX62-22/2	180M	1362	390	535	573	80	65	105	437	120	1150	950	350	118	180	4-Φ18	30
65TWX9-1.5/4	90L	1002	310	515	438	80	65	105	437	120	890	700	270	98	180	4-Φ14	30
65TWX12-2.2/4	100L	1047	310	515	448	80	65	105	437	120	920	700	270	98	180	4-Φ14	30
65TWX15-3/4	100L2	1047	310	515	448	80	65	105	437	120	920	700	270	98	180	4-Φ14	30
65TWX76-30/2	200L1	1432	430	570	625	80	65	105	437	120	1230	950	390	120	200	4-Φ18	30
65TWX84-37/2	200L2	1432	430	570	625	80	65	105	437	120	1230	950	390	120	200	4-Φ18	30
65TWX16-3/4	100L2	1047	310	550	470	80	65	105	437	120	920	700	270	100	200	4-Φ14	30
65TWX20-4/4	112M	1062	310	550	488	80	65	105	437	120	920	700	270	100	200	4-Φ14	30



TWX外形安装尺寸表

TWX Outline installation dimension table

泵型号 PUMP TYPE	机座号 Motor Frame No.	外形尺寸 Outline Dimension (mm)				安装尺寸 Installation Dimension (mm)											
		L	B ₂	H	H ₂	DN _s	DN _D	a	f	y	L ₁	L ₂	B ₁	H ₁	h	n-∅d	A
80TWX15-3/2	100L	1005	250	450	400	100	80	120	380	120	860	700	220	98	132	4-∅14	40
80TWX19-4/2	112M	1020	250	450	418	100	80	120	380	120	860	700	220	98	132	4-∅14	40
80TWX21-5.5/2	132S1	1090	250	450	443	100	80	120	380	120	910	700	220	98	132	4-∅14	40
80TWX5-0.75/4	80M2	915	250	450	364	100	80	120	380	120	780	600	220	98	132	4-∅14	40
80TWX20-7.5/2	132S2	1189	310	530	493	100	80	120	439	120	970	700	270	120	160	4-∅18	30
80TWX27-11/2	160M1	1294	310	530	540	100	80	120	439	120	1090	900	270	120	160	4-∅18	30
80TWX33-15/2	160M2	1294	310	530	540	100	80	120	439	120	1090	900	270	120	160	4-∅18	30
80TWX6-1.1/4	90S	994	310	530	420	100	80	120	439	120	870	700	270	100	160	4-∅18	30
80TWX7-1.5/4	90L	1019	310	530	420	100	80	120	439	120	890	700	270	100	160	4-∅18	30
80TWX8-2.2/4	100L1	1064	310	530	430	100	80	120	439	120	920	700	270	100	160	4-∅18	30
80TWX37-18.5/2	160L	1351	310	595	580	100	80	120	441	120	1150	950	270	120	200	4-∅18	40
80TWX42-22/2	180M	1381	390	595	580	100	80	120	441	120	1150	950	350	120	200	4-∅18	40
80TWX57-30/2	200L1	1451	430	595	595	100	80	120	441	120	1230	950	390	120	200	4-∅18	40
80TWX62-37/2	200L2	1451	430	595	625	100	80	120	441	120	1230	950	390	120	200	4-∅18	40
80TWX9-2.2/4	100L1	1066	310	595	625	100	80	120	441	120	930	700	270	100	200	4-∅14	40
80TWX11-3/4	100L2	1066	310	595	470	100	80	120	441	120	930	700	270	100	200	4-∅14	40
80TWX15-4/4	112M	1081	310	595	470	100	80	120	441	120	930	700	270	100	200	4-∅14	40
80TWX71-30/2	200L1	1453	430	595	625	100	80	130	433	120	1230	950	390	120	200	4-∅18	30
80TWX79-37/2	200L2	1453	430	595	625	100	80	130	433	120	1230	950	390	120	200	4-∅18	30
80TWX14-3/4	100L2	1068	310	595	470	100	80	130	433	120	930	700	270	120	200	4-∅18	30
80TWX17-4/4	112M	1083	310	595	488	100	80	130	433	120	930	700	270	120	200	4-∅18	30
80TWX21-5.5/4	132S	1153	310	595	533	100	80	130	433	120	980	700	270	120	200	4-∅18	30
80TWX80-45/2	225M	1665	470	720	720	100	80	140	565	140	1410	600	430	140	250	6-∅18	17.5
80TWX91-55/2	250M	1760	470	720	755	100	80	140	565	140	1510	600	430	140	250	6-∅18	17.5
80TWX112-75/2	280S	1820	520	750	820	100	80	140	565	140	1560	650	480	170	250	6-∅18	17.5
80TWX127-90/2	280M	1870	520	750	820	100	80	140	565	140	1610	650	480	170	250	6-∅18	17.5
80TWX18-5.5/4	132S	1315	390	700	643	100	80	140	565	140	1130	950	350	120	250	4-∅18	17.5
80TWX23-7.5/4	132M	1355	390	700	643	100	80	140	565	140	1170	950	350	120	250	4-∅18	17.5
80TWX30-11/4	160M	1460	390	700	690	100	80	140	565	140	1250	950	350	120	250	4-∅18	17.5
100TWX15-4/2	112M	1025	250	510	448	125	100	120	385	120	870	700	220	100	160	4-∅14	40
100TWX18-5.5/2	132S1	1095	250	510	473	125	100	120	385	120	910	700	220	100	160	4-∅14	40
100TWX20-7.5/2	132S2	1095	250	510	473	125	100	120	385	120	910	700	220	100	160	4-∅14	40
100TWX4-0.75/4	80M2	920	250	510	394	125	100	120	385	120	780	600	220	100	160	4-∅14	40

泵型号 PUMP TYPE	机座号 Motor Frame No.	外形尺寸 Outline Dimension (mm)				安装尺寸 Installation Dimension (mm)											
		L	B ₂	H	H ₂	DN _s	DN _D	a	f	y	L ₁	L ₂	B ₁	H ₁	h	n-∅d	A
100TWX21-11/2	160M1	1339	310	575	560	125	100	140	444	140	1120	900	270	120	180	4-∅18	30
100TWX25-15/2	160M2	1339	310	575	560	125	100	140	444	140	1120	900	270	120	180	4-∅18	30
100TWX30-18.5/2	160L	1394	310	575	560	125	100	140	444	140	1170	950	270	120	180	4-∅18	30
100TWX32-22/2	180M	1424	310	575	575	125	100	140	444	140	1170	950	350	120	180	4-∅18	30
100TWX5-1.1/4	90S	1039	310	555	440	125	100	140	444	140	890	700	270	100	180	4-∅14	30
100TWX6-1.5/4	90L	1064	310	555	440	125	100	140	444	140	920	700	270	100	180	4-∅14	30
100TWX7-2.2/4	100L	1109	310	555	450	125	100	140	444	140	970	700	270	100	180	4-∅14	30
100TWX37-22/2	180M	1420	390	610	595	125	100	140	439.5	140	1170	950	350	120	200	4-∅18	30
100TWX45-30/2	200L1	1490	430	610	625	125	100	140	439.5	140	1250	950	390	120	200	4-∅18	30
100TWX53-37/2	200L2	1490	430	610	625	125	100	140	439.5	140	1250	950	390	120	200	4-∅18	30
100TWX8-2.2/4	100L1	1105	310	610	470	125	100	140	439.5	140	950	700	270	100	200	4-∅14	30
100TWX10-3/4	100L2	1105	310	610	470	125	100	140	439.5	140	950	700	270	100	200	4-∅14	30
100TWX12-4/4	112M	1120	310	610	488	125	100	140	439.5	140	950	700	270	100	200	4-∅14	30
100TWX60-45/2	225M	1563	470	650	675	125	100	140	463	140	1320	550	430	120	225	6-∅18	17.5
100TWX67-55/2	250M	1658	470	695	755	125	100	140	463	140	1410	600	430	160	225	6-∅18	17.5
100TWX72-75/2	280S	1718	520	725	820	125	100	140	463	140	1470	600	480	195	225	6-∅18	17.5
100TWX15-5.5/4	132S	1213	390	650	558	125	100	140	463	140	1030	800	350	120	225	4-∅18	17.5
100TWX18-7.5/4	132M	1253	390	650	558	125	100	140	463	140	1070	800	350	120	225	4-∅18	17.5
100TWX83-75/2	280S	1918	600	810	840	125	100	140	623	180	1660	650	550	190	250	6-∅18	17.5
100TWX89-90/2	280M	1968	600	810	840	125	100	140	623	180	1710	700	550	190	250	6-∅18	17.5
100TWX102-110/2	315S	2158	660	845	1005	125	100	140	623	180	1750	750	610	225	250	6-∅18	17.5
100TWX110-132/2	315M	2268	660	845	1005	125	100	140	623	180	1850	750	610	225	250	6-∅18	17.5
100TWX121-160/2	315L1	2268	660	845	1005	125	100	140	623	180	1850	750	610	225	250	6-∅18	17.5
100TWX23-11/4	160M	1558	390	760	650	125	100	140	623	180	1350	550	350	140	250	6-∅18	17.5
100TWX26-15/4	160L	1613	390	760	650	125	100	140	623	180	1410	600	350	140	250	6-∅18	17.5
100TWX30-18.5/4	180M	1643	430	760	665	125	100	140	623	180	1410	600	390	140	250	6-∅18	17.5
100TWX31-22/4	180L	1683	430	760	665	125	100	140	623	180	1450	600	390	140	250	6-∅18	17.5
125TWX25-22/2	180M	1444	390	645	595	150	125	160	443.5	140	1190	950	350	120	200	4-∅18	17.5
125TWX34-30/2	200L1	1514	390	645	625	150	125	160	443.5	140	1260	950	350	120	200	4-∅18	17.5
125TWX40-37/2	200L2	1514	390	645	625	150	125	160	443.5	140	1260	950	350	120	200	4-∅18	17.5
125TWX6-2.2/4	100L1	1129	390	645	490	150	125	160	443.5	140	960	700	350	120	200	4-∅18	17.5
125TWX7-3/4	100L2	1129	390	645	490	150	125	160	443.5	140	960	700	350	120	200	4-∅18	17.5
125TWX9-4/4	112M	1144	390	645	508	150	125	160	443.5	140	960	700	350	120	200	4-∅18	17.5



TWX外形安装尺寸表

TWX Outline installation dimension table

泵型号 PUMP TYPE	机座号 Motor Frame No.	外型尺寸 Outline Dimension (mm)				安装尺寸 Installation Dimension (mm)												
		L	B ₂	H	H ₂	DN _S	DN _D	a	f	y	L ₁	L ₂	B ₁	H ₁	h	n--d ₀	A	
125TWX46-45/2	225M	1629	470	700	650	150	125	160	469	180	1360	550	430	120	225	6-Φ18	17.5	
125TWX49-55/2	250M	1724	470	745	695	150	125	160	469	180	1450	600	430	165	225	6-Φ18	17.5	
125TWX11-5.5/4	132S	1279	470	700	558	150	125	160	469	180	1080	850	430	120	225	4-Φ18	17.5	
125TWX12-7.5/4	132M	1319	470	700	558	150	125	160	469	180	1120	900	430	120	225	4-Φ18	17.5	
125TWX5-1.5/6	100L	1194	470	700	515	150	125	160	469	180	1030	800	430	120	225	4-Φ18	17.5	
125TWX53-55/2	250M	1877	470	770	720	150	125	160	622	180	1600	650	430	140	250	6-Φ18	17.5	
125TWX60-75/2	280S	1937	600	820	840	150	125	160	622	180	1660	700	550	190	250	6-Φ18	17.5	
125TWX70-90/2	280M	1987	600	820	840	150	125	160	622	180	1710	700	550	190	250	6-Φ18	17.5	
125TWX77-110/2	315S	2177	660	855	1005	150	125	160	622	180	1750	750	610	225	250	6-Φ18	17.5	
125TWX14-7.5/4	132M	1472	390	750	583	150	125	160	622	180	1270	950	350	120	250	4-Φ18	17.5	
125TWX17-11/4	160M	1577	390	770	650	150	125	160	622	180	1350	550	350	140	250	6-Φ18	17.5	
125TWX20-15/4	160L	1632	390	770	650	150	125	160	622	180	1400	600	350	140	250	6-Φ18	17.5	
125TWX6-2.2/6	112M	1362	390	750	558	150	125	160	622	180	1190	950	350	120	250	4-Φ18	17.5	
125TWX7-3/6	132S	1432	390	750	583	150	125	160	622	180	1230	950	350	120	250	4-Φ18	17.5	
125TWX8-4/6	132M1	1472	390	750	583	150	125	160	622	180	1270	950	350	120	250	4-Φ18	17.5	
125TWX98-132/2	315M	2284	660	875	1005	150	125	160	619	180	1850	750	610	195	280	6-Φ18	17.5	
125TWX108-160/2	315L1	2284	660	875	1005	150	125	160	619	180	1850	750	610	195	280	6-Φ18	17.5	
125TWX121-185/2	315L	2284	660	875	1005	150	125	160	619	180	1850	750	610	195	280	6-Φ18	17.5	
125TWX130-200/2	315L2	2284	660	875	1005	150	125	160	619	180	1850	750	610	195	280	6-Φ18	17.5	
125TWX26-18.5/4	180M	1659	430	820	695	150	125	160	619	180	1400	600	390	140	280	6-Φ18	17.5	
125TWX28-22/4	180L	1699	430	820	695	150	125	160	619	180	1440	600	390	140	280	6-Φ18	17.5	
125TWX32-30/4	200L	1729	430	820	725	150	125	160	619	180	1480	600	390	140	280	6-Φ18	17.5	
125TWX12-5.5/6	132M2	1469	390	800	613	150	125	160	619	180	1270	950	350	120	280	4-Φ18	17.5	
125TWX14-7.5/6	160M	1574	390	800	660	150	125	160	619	180	1350	950	350	120	280	6-Φ18	17.5	
150TWX41-75/2	280S	1986	600	800	840	200	150	200	631	180	1700	750	550	160	280	6-Φ18	-10	
150TWX48-90/2	280M	2036	600	800	840	200	150	200	631	180	1750	750	550	160	280	6-Φ18	-10	
150TWX55-110/2	315S	2226	660	835	1005	200	150	200	631	180	1790	750	610	175	280	6-Φ18	-10	
150TWX11-11/4	160M	1626	490	760	660	200	150	200	631	180	1390	550	450	120	280	6-Φ18	-10	
150TWX14-15/4	160L	1681	490	760	660	200	150	200	631	180	1430	600	450	120	280	6-Φ18	-10	
150TWX57-110/2	315S	2190	660	915	1005	200	150	180	615	180	1770	750	610	195	280	6-Φ18	-10	
150TWX64-132/2	315M	2300	660	915	1005	200	150	180	615	180	1880	750	610	195	280	6-Φ18	-10	
150TWX74-160/2	315L1	2300	660	915	1005	200	150	180	615	180	1880	750	610	195	280	6-Φ18	-10	
150TWX80-185/2	315L	2300	660	915	1005	200	150	180	615	180	1880	750	610	195	280	6-Φ18	-10	
150TWX13-11/4	160M	1424	490	840	660	200	150	180	449	180	1210	950	450	120	280	4-Φ18	-10	
150TWX16-15/4	160L	1479	490	840	660	200	150	180	449	180	1260	950	450	120	280	4-Φ18	-10	
150TWX18-18.5/4	180M	1509	490	840	675	200	150	180	449	180	1260	950	450	120	280	4-Φ18	-10	
150TWX4-2.2/6	112M	1209	490	840	588	200	150	180	449	180	1040	850	450	120	280	4-Φ18	-10	
150TWX5-3/6	132S	1279	490	840	613	200	150	180	449	180	1080	850	450	120	280	4-Φ18	-10	
150TWX6-4/6	132M1	1319	490	840	613	200	150	180	449	180	1120	900	450	120	280	4-Φ18	-10	
150TWX8-5.5/6	132M2	1319	490	840	613	200	150	180	449	180	1120	900	450	120	280	4-Φ18	-10	
150TWX96-220/2	355M1	2550	730	940	1135	200	150	180	695	180	2100	850	850	200	280	6-Φ24	-10	
150TWX109-250/2	355M	2550	730	940	1135	200	150	180	695	180	2100	850	850	200	280	6-Φ24	-10	
150TWX118-280/2	355L1	2550	730	940	1135	200	150	180	695	180	2100	850	850	200	280	6-Φ24	-10	

泵型号 PUMP TYPE	机座号 Motor Frame No.	外型尺寸 Outline Dimension (mm)				安装尺寸 Installation Dimension (mm)												
		L	B ₂	H	H ₂	DN _S	DN _D	a	f	y	L ₁	L ₂	B ₁	H ₁	h	n--d ₀	A	
150TWX128-315/2	355L	2550	730	940	1135	200	150	180	695	180	2100	850	850	200	280	6-Φ24	-10	
150TWX136-355/2	355X	2960	760	940	1135	200	150	180	695	180	2480	1000	1000	200	280	6-Φ24	-10	
150TWX19-18.5/4	180M	1520	490	860	675	200	150	180	460	180	1270	530	450	120	280	6-Φ18	-10	
150TWX22-22/4	180L	1560	490	860	675	200	150	180	460	180	1310	550	450	120	280	6-Φ18	-10	
150TWX28-30/4	200L	1590	490	860	705	200	150	180	460	180	1350	550	450	120	280	6-Φ18	-10	
150TWX32-37/4	225S	1635	490	860	730	200	150	180	460	180	1380	550	450	120	280	6-Φ18	-10	
150TWX34-45/4	225M	1665	490	860	730	200	150	180	460	180	1410	600	450	120	280	6-Φ18	-10	
150TWX9-5.5/6	132M2	1330	490	860	613	200	150	180	460	180	1130	900	450	120	280	4-Φ18	-10	
150TWX11-7.5/6	160M	1435	490	860	660	200	150	180	460	180	1210	950	450	120	280	4-Φ18	-10	
150TWX14-11/6	160L	1490	490	860	660	200	150	180	460	180	1260	950	450	120	280	4-Φ18	-10	
150TWX41-45/4	225M	1785	520	975	805	200	150	180	580	180	1530	650	480	140	335	6-Φ18	-10	
150TWX43-55/4	250M	1855	590	975	840	200	150	180	580	180	1600	650	550	140	335	6-Φ18	-10	
150TWX51-75/4	280S	1915	590	975	875	200	150	180	580	180	1650	700	550	140	335	6-Φ18	-10	
150TWX57-90/4	280M	1965	590	975	875	200	150	180	580	180	1700	700	550	140	335	6-Φ18	-10	
150TWX17-15/6	180L	1680	520	975	750	200	150	180	580	180	1420	600	480	140	335	6-Φ18	-10	
150TWX20-18.5/6	200L1	1710	520	975	780	200	150	180	580	180	1470	600	480	140	335	6-Φ18	-10	
150TWX23-22/6	200L2	1710	520	975	780	200	150	180	580	180	1470	600	480	140	335	6-Φ18	-10	
150TWX26-30/6	225M	1785	520	975	805	200	150	180	580	180	1530	650	480	140	335	6-Φ18	-10	
200TWX10-11/4	160M	1421	490	875	660	250	200	180	446	180	1210	950	450	120	280	4-Φ18	-10	
200TWX12-15/4	160L	1476	490	875	660	250	200	180	446	180	1250	950	450	120	280	4-Φ18	-10	
200TWX14-18.5/4	180M	1604	490	965	710	250	200	220	474	210	1310	550	450	120	315	6-Φ18	-10	
200TWX15-22/4	180L	1644	490	965	710	250	200	220	474	210	1360	550	450	120	315	6-Φ18	-10	
200TWX18-30/4	200L	1674	490	965	740	250	200	220	474	210	1390	550	450	120	315	6-Φ18	-10	
200TWX21-37/4	225S	1719	520	985	785	250	200	220	474	210	1430	600	480	140	315	6-Φ18	-10	
200TWX7-7.5/6	160M	1519	490	965	695	250	200	220	474	210	1260	530	450	120	315	6-Φ18	-10	
200TWX9-11/6	160L	1574	490	965	695	250	200	220	474	210	1300	550	450	120	315	6-Φ18	-10	
200TWX23-45/4	225M	1858	520	1055	825	250	200	220	583	210	1560	650	480	140	355	6-Φ18	-10	
200TWX27-55/4	250M	1928	590	1055	860	250												

TWX外形安装尺寸表

TWX Outline installation dimension table

泵型号 PUMP TYPE	机座号 Motor Frame No.	外型尺寸 Outline Dimension (mm)				安装尺寸 Installation Dimension (mm)											
		L	B ₂	H	H ₂	DN _s	DN _b	a	f	y	L ₁	L ₂	B ₁	H ₁	h	n-d ₀	A
200TWX52-110/4	315S	2342	660	1095	1065	250	200	220	697	210	1910	800	600	180	355	6-Φ24	-10
200TWX57-132/4	315M	2452	660	1095	1065	250	200	220	697	210	2020	800	600	180	355	6-Φ24	-10
200TWX18-22/6	200L2	1897	520	1075	820	250	200	220	697	210	1610	700	480	160	355	6-Φ18	-10
200TWX21-30/6	225M	1972	520	1075	845	250	200	220	697	210	1680	700	480	160	355	6-Φ18	-10
200TWX25-37/6	250M	2042	600	1075	880	250	200	220	697	210	1740	750	550	160	355	6-Φ18	-10
250TWX20-45/4	225M	1913	520	1075	860	300	250	260	598	210	1580	650	480	140	355	6-Φ18	-10
250TWX23-55/4	250M	1983	590	1075	860	300	250	260	598	210	1650	700	550	140	355	6-Φ18	-10
250TWX28-75/4	280S	2043	600	1095	915	300	250	260	598	210	1700	700	550	160	355	6-Φ18	-10
250TWX34-90/4	280M	2093	600	1095	915	300	250	260	598	210	1750	750	550	160	355	6-Φ18	-10
250TWX37-90/4	280M	2252	600	1185	980	300	250	260	707	260	1910	800	550	180	400	6-Φ24	-10
250TWX41-110/4	315S	2442	660	1185	1110	300	250	260	707	260	1970	800	600	180	400	6-Φ24	-10
250TWX48-132/4	315M	2552	660	1185	1110	300	250	260	707	260	2080	850	600	180	400	6-Φ24	-10
250TWX55-160/4	315L1	2552	660	1185	1110	300	250	260	707	260	2080	850	600	180	400	6-Φ24	-10
300TWX20-55/4	250M	2073	600	1190	925	350	300	300	598	260	1700	700	550	160	400	6-Φ18	-10
300TWX26-75/4	280S	2133	600	1190	960	350	300	300	598	260	1750	750	550	160	400	6-Φ18	-10
300TWX29-90/4	280M	2183	600	1190	960	350	300	300	598	260	1800	750	550	160	400	6-Φ18	-10
300TWX38-110/4	315S	2522	660	1240	1130	350	300	340	707	260	2000	800	600	180	420	6-Φ24	-40
300TWX42-132/4	315M	2632	660	1240	1130	350	300	340	707	260	2110	850	600	180	420	6-Φ24	-40
300TWX46-160/4	315L1	2632	660	1240	1130	350	300	340	707	260	2110	850	600	180	420	6-Φ24	-40
300TWX50-185/4	315L	2632	660	1240	1130	350	300	340	707	260	2110	850	600	180	420	6-Φ24	-40
300TWX52-200/4	315L2	2632	660	1240	1130	350	300	340	707	260	2110	850	600	180	420	6-Φ24	-40
350TWX15-55/4	250M	2053	600	1270	955	350	350	280	598	260	1720	700	550	160	430	6-Φ18	-40
350TWX19-75/4	280S	2113	600	1270	990	350	350	280	598	260	1770	750	550	160	430	6-Φ18	-40
350TWX22-90/4	280M	2163	600	1270	990	350	350	280	598	260	1820	750	550	160	430	6-Φ18	-40
350TWX27-110/4	315S	2465	660	1330	1160	350	350	280	710	260	2000	800	600	180	450	6-Φ24	-40
350TWX30-132/4	315M	2575	660	1330	1160	350	350	280	710	260	2110	850	600	180	450	6-Φ24	-40
350TWX34-160/4	315L1	2575	660	1330	1160	350	350	280	710	260	2110	850	600	180	450	6-Φ24	-40
350TWX40-185/4	315L	2580	730	1410	1210	350	350	280	715	260	2120	900	670	200	480	6-Φ24	-40
350TWX42-200/4	315L2	2580	730	1410	1210	350	350	280	715	260	2120	900	670	200	480	6-Φ24	-40
350TWX47-220/4	315L3	2580	730	1410	1210	350	350	280	715	260	2260	950	670	200	480	6-Φ24	-40
350TWX52-250/4	355M	2780	730	1410	1335	350	350	280	715	260	2260	950	670	200	480	6-Φ24	-40
350TWX56-280/4	355L1	2780	730	1410	1335	350	350	280	715	260	2260	950	670	200	480	6-Φ24	-40
350TWX60-315/4	355L	2780	730	1410	1335	350	350	280	715	260	2260	950	670	200	480	6-Φ24	-40

泵组的安装方式

Installation methods for pump unit

TPW/TWZ/TWX系列改进型卧式端吸循环泵
TPW/TWZ/TWX series advanced horizontal end suction circulation pump

优点:

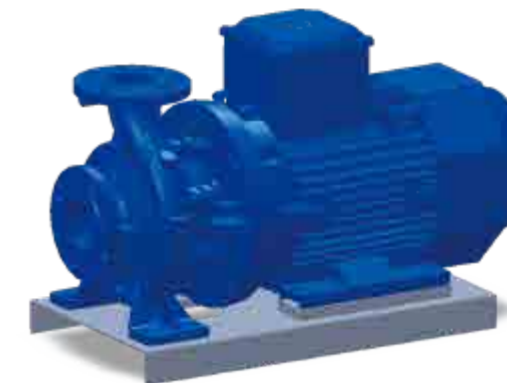
- 低安装成本
- 优良的减震性能
- 可选灌浆孔

Merit:

- Low installation cost
- Excellent shock absorption
- Optional grouting holes

基础安装 Basic installation

泵组采用A型底座, 电机功率 ≤7.5kW, 可通过聚合物胶接混凝土的底座基础安装方式。
The pump set adopts an A-type base, with ≤7.5kW motor, and can be installed through the base foundation of polymer bonding concrete.



基础安装泵组
Foundation installation pump set

地基支撑硬性联接

Hard connection of the foundation support

泵组采用B型底座, 电机功率11~315kW, 螺栓紧固支脚。
The pump set adopts B-type base, 11~315kW motor, bolt fastening foot.



支脚固定安装泵组
Install the pump set by fastening bolts on foot

地基支撑柔性联接

Flexible connection of foundation support

底座带选配减振装置泵组。
The base of pump set with vibration absorber pump



底座下面配隔振垫
Base with vibration isolation cushion

订货须知

Notes on Order-placing

亲爱的客户：

请在天泉销售人员或代理商的协助下填写下表，以便为您提供的泵解决方案可以满足您在泵型号、材料、轴封、附件、安装条件等各方面要求

管道循环泵数据单	编号：
客户信息	产品信息
公司名称：	项目名称：
联系人：	产品型号：
电话：	台数：
传真：	
E-mail：	

介质

液体类型：_____

最高温度：_____ (°C)

最低温度：_____ (°C)

浓度：_____ (%)

PH值：_____

运动粘度：_____ (mm²/s)

密度：_____ (kg/m³)

固体颗粒含量：_____ (质量%)

是否结晶？ 是：_____ 否：_____

环境

环境温度：_____ (°C)

环境湿度：_____ (%)

海拔高度：_____ (m)

压力

最低入口压力：_____ (bar)

最高入口压力：_____ (bar)

参数

主要工况点 Q: _____ (m³/h) H: _____ (m)

最大工况点 Q: _____ (m³/h) Hmax: _____ (m)

最小工况点 Q: _____ (m³/h) Hmin: _____ (m)

材质：_____

机封：_____

电机：_____

其他附件（阀、挠性接头等）：_____



Dear customer:

Please fill in the following table with the assistance of Tianquan sales personnel or agent, so that the pump solution provided for you can meet your requirements in the pump model, material, shaft seal, accessories, installation conditions and other aspects.

Pipeline circulation pump data sheet	No.:
customer information	On-product information
corporate name:	Project name:
contacts:	Product type:
telephone:	Set quantity:
portraiture:	
E-mail:	

Medium

Liquid type: _____

Max. temperature: _____ (°C)

Min. temperature: _____ (°C)

Potency: _____ (%)

pH value: _____

Kinematic viscosity: _____ (mm²/s)

Density: _____ (kg/m³)

Solid particle content: _____ (quality %)

Is crystallization? Yes: _____ No: _____

Environment

Ambient temperature: _____ (°C)

Ambient humidity: _____ (%)

Above sea level: _____ (m)

Pressure

Min. inlet temperature: _____ (bar)

Max. inlet temperature: _____ (bar)

Parameter

Rated flow point Q: _____ (m³/h) H: _____ (m)

Min. Flow point Qmin: _____ (m³/h) Hmax: _____ (m)

Max. Flow point Qmax: _____ (m³/h) Hmin: _____ (m)

Material: _____

Mechanical seal: _____

Motor (power, pole, energy efficiency grade, level of protection, insulation grade, etc.) :

Other attachments (reducer, valve, flexible connector, etc.) : _____